

NOTES :

- MATERIAL :
INSULATOR : HIGH TEMPERATURE THERMOPLASTIC , UL94V-0.
COLOR : BLACK
CONTACT : PHOSPHOR BRONZE.
- APPLICATION : SD&HS SD&SDHC&MMC & MS&MS PRO&MagicGate MS&MS-ROM&MS I/O Expansion (It can protect the damage of MSDuo)
- PLATING : CONTACT AREA :GOLD FLASH,10u" PLATED OVER Ni
SOLDER AREA : Tin PLATED OVER Ni

107R-A X 0 0-R
1 2 3

1.Type

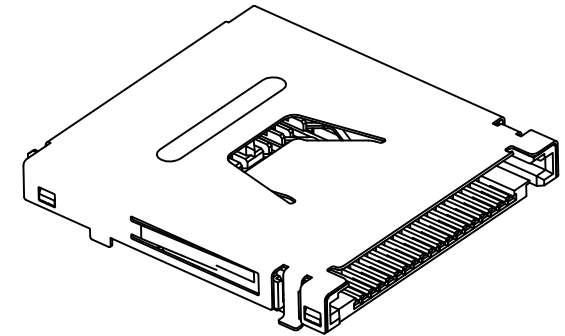
A:SD/MMC/MS

2.Contact Plating

A:Gold Flash

D:10u" Gold Plating

3.RoHS



UNLESS OTHERWISE SPECIFIED TOLERANCE	
ANG.	±5°
0.	±0.3
.0	±0.25
.00	±0.20
SCALE: AS SHOWN	UNIT: mm
DRAWN Willis	2008/4/3
CHECKED	/ /
APPROVED	/ /
SIZE A4	REV.



ATTEND TECHNOLOGY INC.

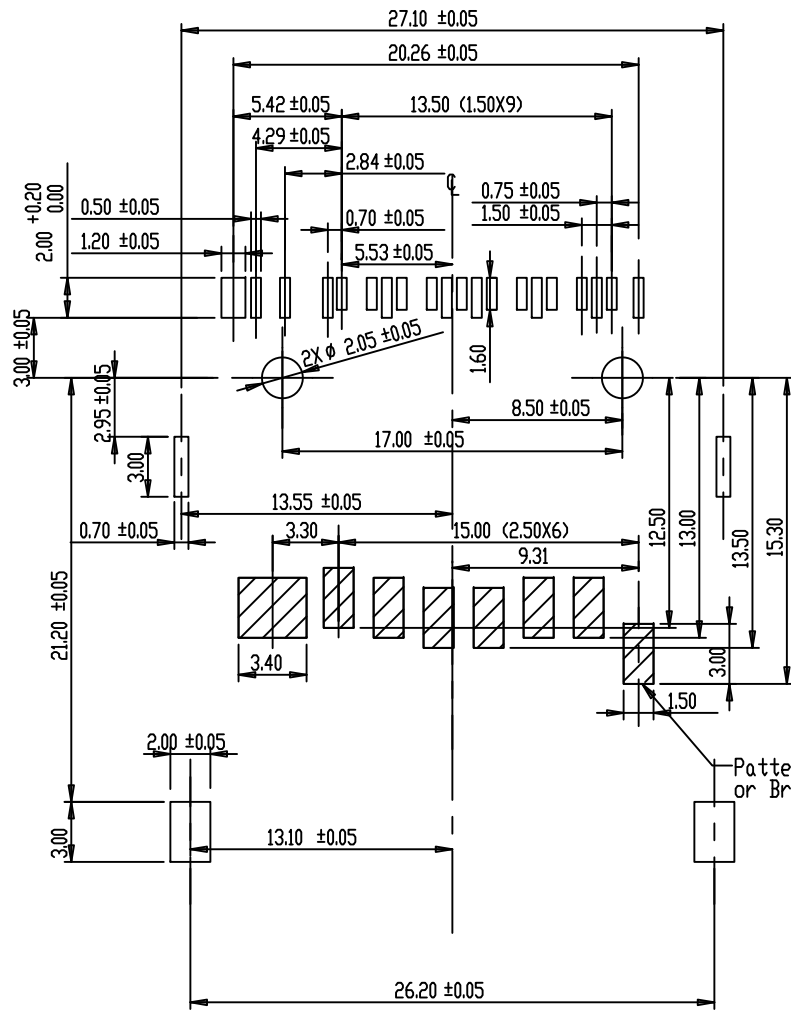
www.attend.com.tw

DRAWN NAME: Multi Card Socket SD/MMC/MS

PRODUCT NO. 107R-AX00-R

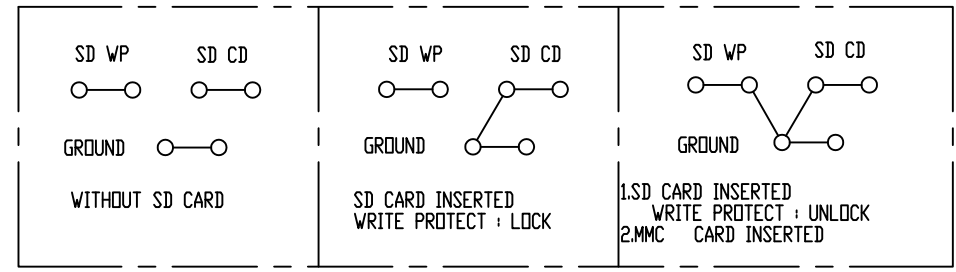
FILE NAME: 107R-AX00-R

REV.	DESCRIPTION	DATE
1		
2		
3		
4		
5		
6		
7		



PCB LAYOUT

SD CIRCUIT :



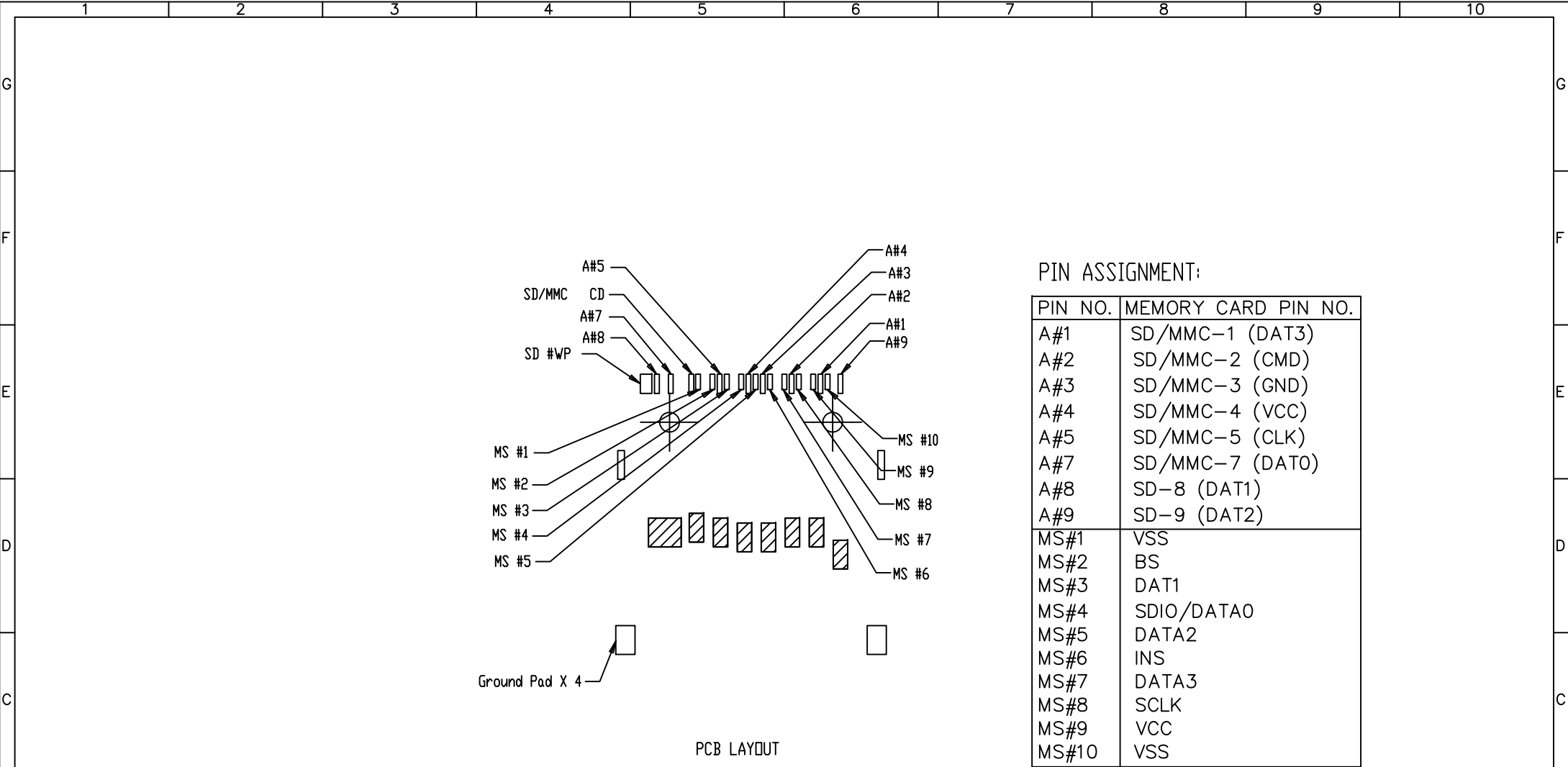
UNLESS OTHERWISE SPECIFIED TOLERANCE	
ANG.	±5°
0.	±0.3
.0	±0.25
.00	±0.20

Attend
ATTEND TECHNOLOGY INC.
www.attend.com.tw

SCALE: AS SHOWN	UNIT: mm
DRAWN Willis	2008/4/3
CHECKED	/ /
APPROVED	/ /

DRAWN NAME: Multi Card Socket SD/MMC/MS
PRODUCT NO. 107R-AX00-R
FILE NAME: 107R-AX00-R

REV.	DESCRIPTION	DATE	SIZE	REV.
			A4	



PIN ASSIGNMENT:

PIN NO.	MEMORY CARD PIN NO.
A#1	SD/MMC-1 (DAT3)
A#2	SD/MMC-2 (CMD)
A#3	SD/MMC-3 (GND)
A#4	SD/MMC-4 (VCC)
A#5	SD/MMC-5 (CLK)
A#7	SD/MMC-7 (DAT0)
A#8	SD-8 (DAT1)
A#9	SD-9 (DAT2)
MS#1	VSS
MS#2	BS
MS#3	DAT1
MS#4	SDIO/DATA0
MS#5	DATA2
MS#6	INS
MS#7	DATA3
MS#8	SCLK
MS#9	VCC
MS#10	VSS

(SD/MMC : SD&HS SD&SDHC&MMC CARD)
 (MS : MS&MS PRO&MagicGate MS&MS-ROM&MS I/O Expansion CARD)

UNLESS OTHERWISE SPECIFIED TOLERANCE	
ANG.	±5°
0.	±0.3
.0	±0.25
.00	±0.20
SCALE: AS SHOWN	UNIT: mm
DRAWN Willis	2008/4/3
CHECKED	/ /
APPROVED	/ /
SIZE A4	REV.

Attend
 ATTEND TECHNOLOGY INC.
 www.attend.com.tw

DRAWN NAME: Multi Card Socket
 SD/MMC/MS

PRODUCT NO. 107R-AX00-R

FILE NAME: 107R-AX00-R

REV.	DESCRIPTION	DATE
1		
2		
3		
4		
5		
6		
7		