

Silicon PNP Power Transistors

2SB1342

DESCRIPTION

- With TO-220Fa package
- High DC current gain
- Low saturation voltage
- DARLINGTON

APPLICATIONS

- For low frequency power amplifier and power driver applications

PINNING

PIN	DESCRIPTION
1	Base
2	Collector
3	Emitter

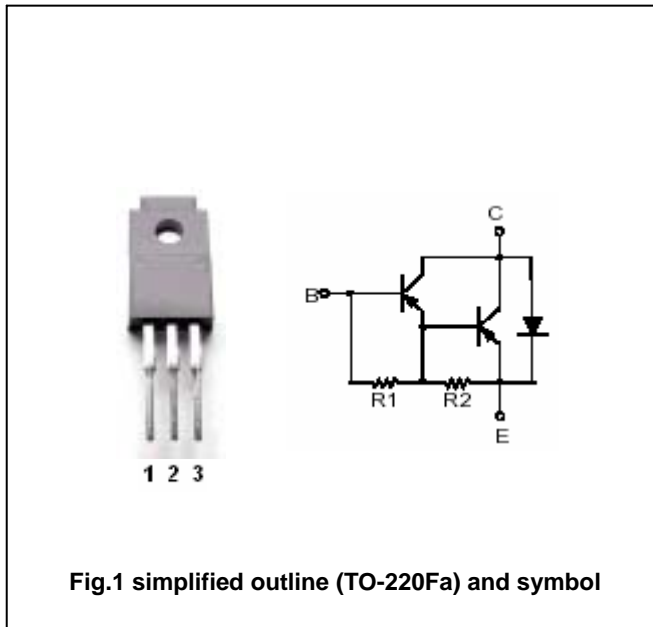


Fig.1 simplified outline (TO-220Fa) and symbol

Absolute maximum ratings(Ta=25)

SYMBOL	PARAMETER	CONDITIONS	VALUE	UNIT
V _{CBO}	Collector-base voltage	Open emitter	-80	V
V _{CEO}	Collector -emitter voltage	Open base	-80	V
V _{EBO}	Emitter-base voltage	Open collector	-7	V
I _C	Collector current		-4	A
I _{CM}	Collector current-peak		-6	A
P _C	Collector power dissipation	T _a =25	2	W
		T _C =25	30	
T _j	Junction temperature		150	
T _{stg}	Storage temperature		-55~150	

Silicon PNP Power Transistors

2SB1342

CHARACTERISTICS

T_j=25 unless otherwise specified

SYMBOL	PARAMETER	CONDITIONS	MIN	TYP.	MAX	UNIT
V _{(BR)CEO}	Collector-emitter breakdown voltage	I _C =-1mA; I _B =0	-80			V
V _{(BR)CBO}	Collector-base breakdown voltage	I _C =-50 μA; I _E =0	-80			V
V _{CEsat}	Collector-emitter saturation voltage	I _C =-2A; I _B =-4mA		-1.0	-1.5	V
I _{CBO}	Collector cut-off current	V _{CB} =-80V; I _E =0			-100	μA
I _{EBO}	Emitter cut-off current	V _{EB} =-5V; I _C =0			-3.0	mA
h _{FE}	DC current gain	I _C =-2A; V _{CE} =-3V	1000		10000	
f _T	Transition frequency	I _C =-0.5A; V _{CE} =-5V		12		MHz
C _{OB}	Output capacitance	I _E =0; V _{CB} =-10V; f=1MHz		45		pF

PACKAGE OUTLINE

