



2SD1877

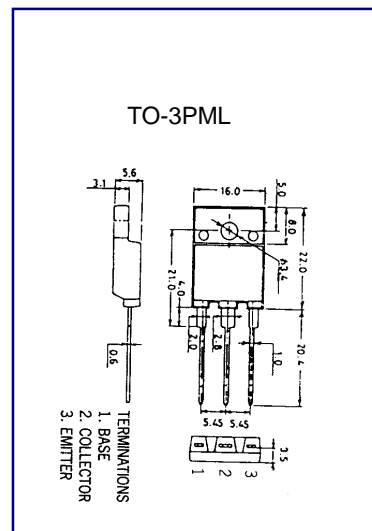
NPN TRIPLE DIFFUSED PLANAR SILICON TRANSISTOR

COLOR TV HORIZONTAL OUTPUT APPLICATIONS(Damper Diode BUILT IN)

- High Collector-Base Voltage($V_{CB0}=1500V$)
- High Speed Switching

ABSOLUTE MAXIMUM RATINGS ($T_A=25^{\circ}C$)

| Characteristic | Symbol | Rating | Unit |
|---|-----------|---------|-------------|
| Collector-Base Voltage | V_{CB0} | 1500 | V |
| Collector-Emitter Voltage | V_{CEO} | 1500 | V |
| Emitter-Base voltage | V_{EBO} | 6 | V |
| Collector Current (DC) | I_c | 4 | A |
| Collector Dissipation ($T_c=25^{\circ}C$) | P_c | 50 | W |
| Junction Temperature | T_j | 150 | $^{\circ}C$ |
| Storage Temperature | T_{stg} | -50~150 | $^{\circ}C$ |



ELECTRICAL CHARACTERISTICS ($T_A=25^{\circ}C$)

| Characteristic | Symbol | Test Condition | Min | Typ | Max | Unit |
|---|---------------|--|-----|-----|-----|---------|
| Collector- Emitter Cutoff Current($V_{BE}=0$) | I_{CES} | $V_{CE}=1400V$, | | | 1.0 | mA |
| Collector Cutoff Current | I_{CBO} | $R_{BE}=0$ | | | 10 | μA |
| Emitter Cutoff Current | I_{EBO} | $V_{CB}=800V$, $I_E=0$ | | | 1.0 | mA |
| DC Current Gain | h_{FE} | $V_{EB}=4V$, $I_c=0$ | 8 | | | |
| Collector- Emitter Saturation Voltage | $V_{CE(sat)}$ | $V_{CE}=5V$, $I_c=1A$ $I_c=2.5A$, $I_B=0.8A$ | | | 5.0 | V |