

SPECIFICATION
 MATERIAL
 Insulator: LCP rated UL94V-0
 Contacts: PhosPhor Bronze
 Shell: SUS301
 CONTACT PLATING
 Underplate: 40u"~280u" Nickel
 Contact area: 12u" Selective gold
 Solder tails area: 100u"~200u" Tin/Lead
 ELECTRICAL
 Operation voltage: 3.3 V
 Current rating: 0.5 Amps max.
 Contact resistance: 40 mohms initial
 Insulation resistance: 1000 Mohms min @ 500 VDC
 Dielectric withstanding voltage: 500 VAC / minute
 Operating temperature: -25°C TO +85°C
 Mating cycles: 10,000 insertions
 Tolerances ±0.25 unless otherwise specified
 Part no.

412 D E 09 P E I C9 S 0 3
 1 2 3 4 5 6 7 8 9 10 11

- 1.SERIES NO.
412=SD CARD PUSH TYPE
- 2.TYPE:
D=SMT
- 3.Environment Protection
Material
E=RoHS
- 4.CONTACT NUMBER:
09
- 5.P=Non distribution
- 6.CONTACT AREA PLATING:
E=12u" GOLD
- 7.SOLDER TAIL PLATING:
T=Tin
8.C9=SD REVERSE PUSH NEW TYPE
9.SHELL=SUS301
10.FILL IT WITH "0"
11.INSULATOR COLOR
3=Black



UNLESS OTHERWISE SPECIFIED TOLERANCE	
ANG.	±5°
0.	±0.5
.0	±0.3
.00	±0.2
SCALE: AS SHOWN	UNIT: mm
DRAWN: CHERRY	05/20/08
CHECKED: Pearl	05/21/08
APPROVED: Joe	05/21/08

OXOC

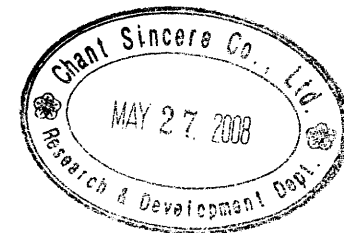
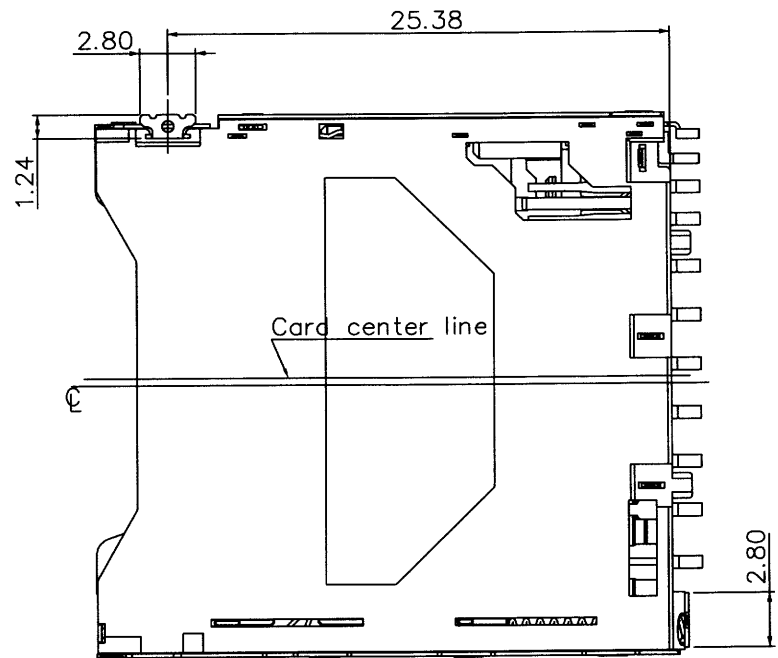
CHANT SINCERE CO., LTD
 TEL: 886-02-86471251 FAX: 886-02-86472962

DRAWN NAME: SD PUSH REVERSE NEW TYPE 1/5

PRODUCT NO. 412DE09PETC9S03

FILE NAME: C-412DE09PETC9S03(GA)

REV.	A	ECN-0805037(Li)	DESCRIPTION	DATE	05/29/08	SIZE	A4	REV.	A
------	---	-----------------	-------------	------	----------	------	----	------	---



The dimension from the metal shell of Write-protect.(S=10/1)

UNLESS OTHERWISE SPECIFIED TOLERANCE	
ANG.	±5°
0.	±0.5
.0	±0.3
.00	±0.2



CHANT SINCERE CO., LTD
 TEL: 886-02-86471251 FAX: 886-02-86472962

SCALE: AS SHOWN UNIT: mm

DRAWN CHERRY 05/20/08

CHECKED pearl 05/21/08

APPROVED Joe 05/21/08

DRAWN NAME:
SD PUSH REVERSE NEW TYPE 2/5

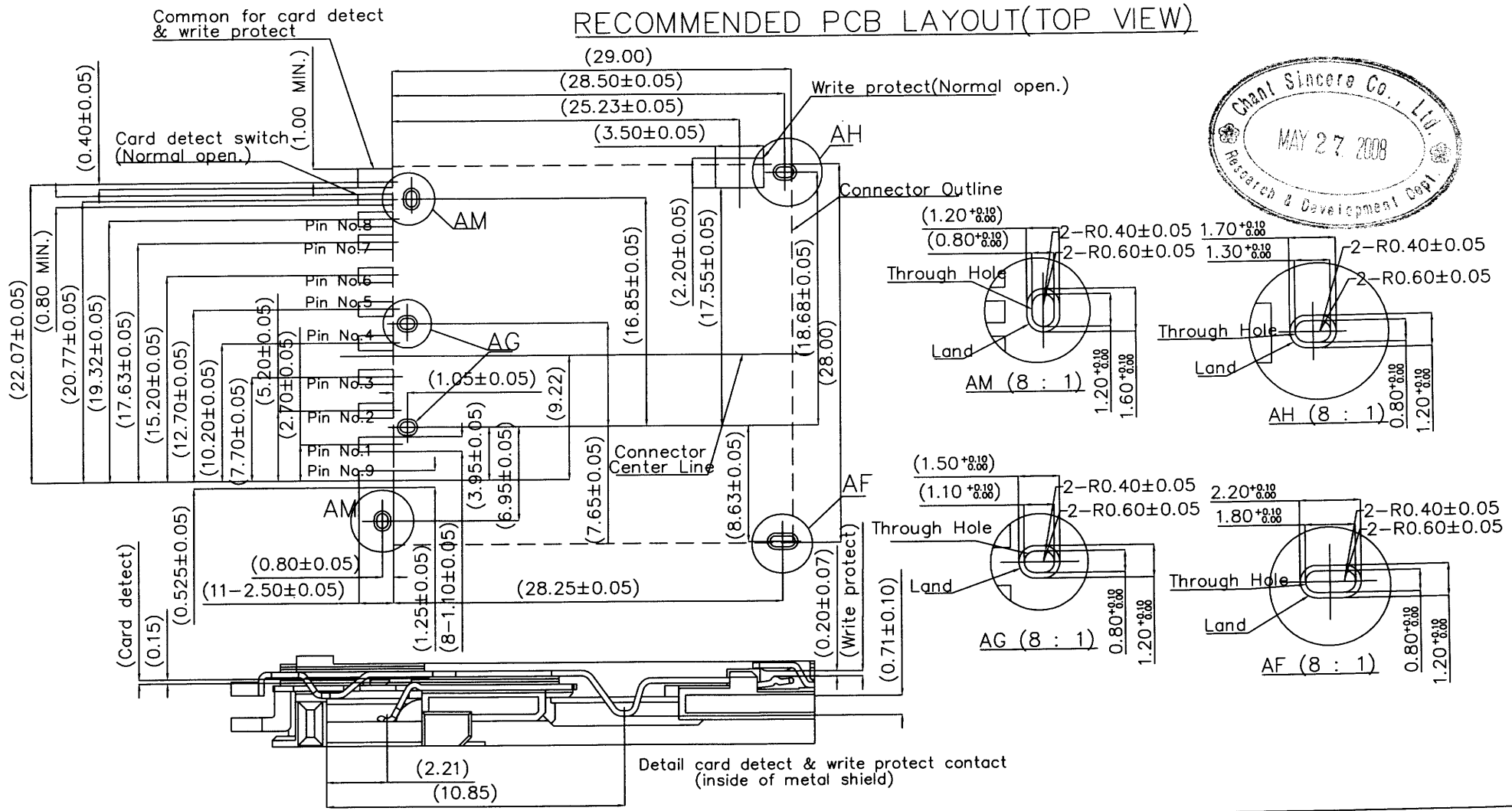
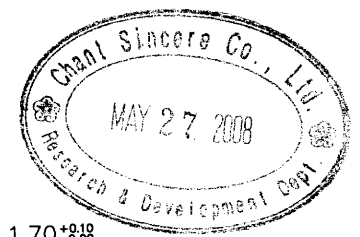
PRODUCT NO. 412DE09PETC9S03

FILE NAME: C-412DE09PETC9S03(GA)

REV.	DESCRIPTION	DATE
A	ECN-0805037(Li)	05/29/08

SIZE A4 REV. A

RECOMMENDED PCB LAYOUT(TOP VIEW)



UNLESS OTHERWISE SPECIFIED TOLERANCE	
ANG.	±5°
0.	±0.5
.0	±0.3
.00	±0.2

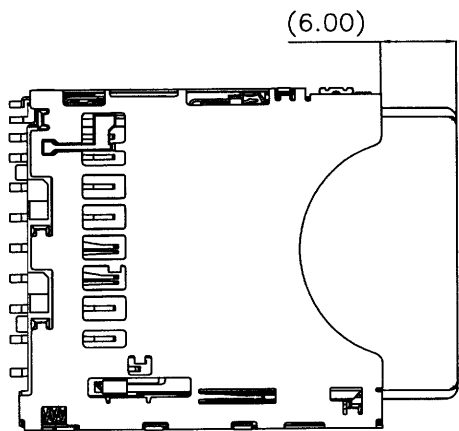


CHANT SINCERE CO., LTD
 TEL: 886-02-86471251 FAX: 886-02-86472962

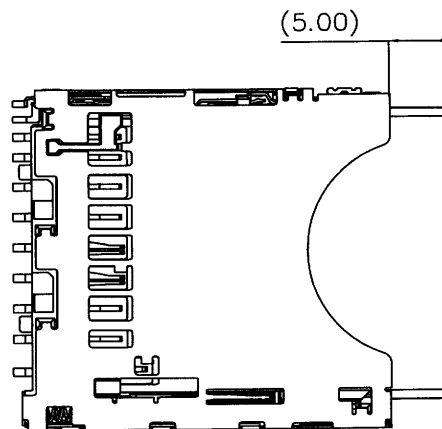
SCALE:	AS SHOWN	UNIT:	mm
DRAWN	CHERRY	DATE	05/20/08
CHECKED	pearl	DATE	05/21/08
APPROVED	Joe	DATE	05/21/08

DRAWN NAME: SD PUSH REVERSE NEW TYPE 3/5
 PRODUCT NO. 412DE09PETC9S03
 FILE NAME: C-412DE09PETC9S03(GA)

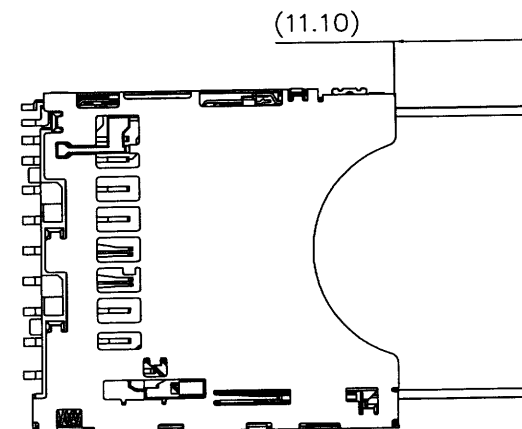
REV.	A	DESCRIPTION	ECN-0805037(Li)	DATE	05/29/08	SIZE	A4	REV.	A
------	---	-------------	-----------------	------	----------	------	----	------	---



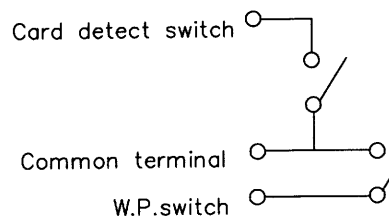
Card locked position



Card push position



Card ejected position



•CARD DETECT SWITCH:
 Without the card = OPEN,
 Inserted the card = CLOSE,
 •WRITE PROTECT SWITCH:
 Without the card = OPEN,
 Inserted the MMC card = CLOSE.
 Inserted the SD card

(a)The key on the card is in the write PROTECT position = OPEN.
 (b)The key on the card is in the write ENABLE position = CLOSE.

Circuit drawing of switch



UNLESS OTHERWISE SPECIFIED TOLERANCE	
ANG.	±5°
0.	±0.5
.0	±0.3
.00	±0.2

SCALE: AS SHOWN UNIT: mm

DRAWN CHERRY 05/20/08

CHECKED *peavl* 05/21/08

APPROVED *Joe* 05/21/08

DATE

SIZE A4 REV. A



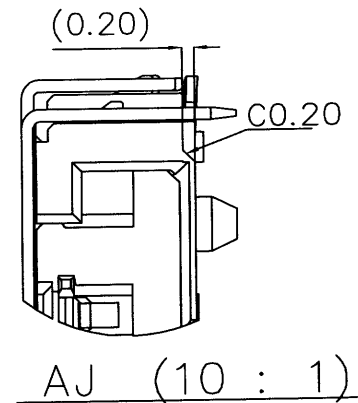
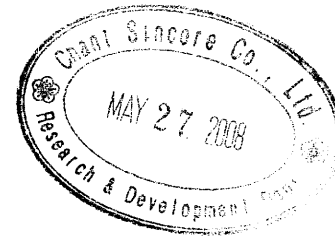
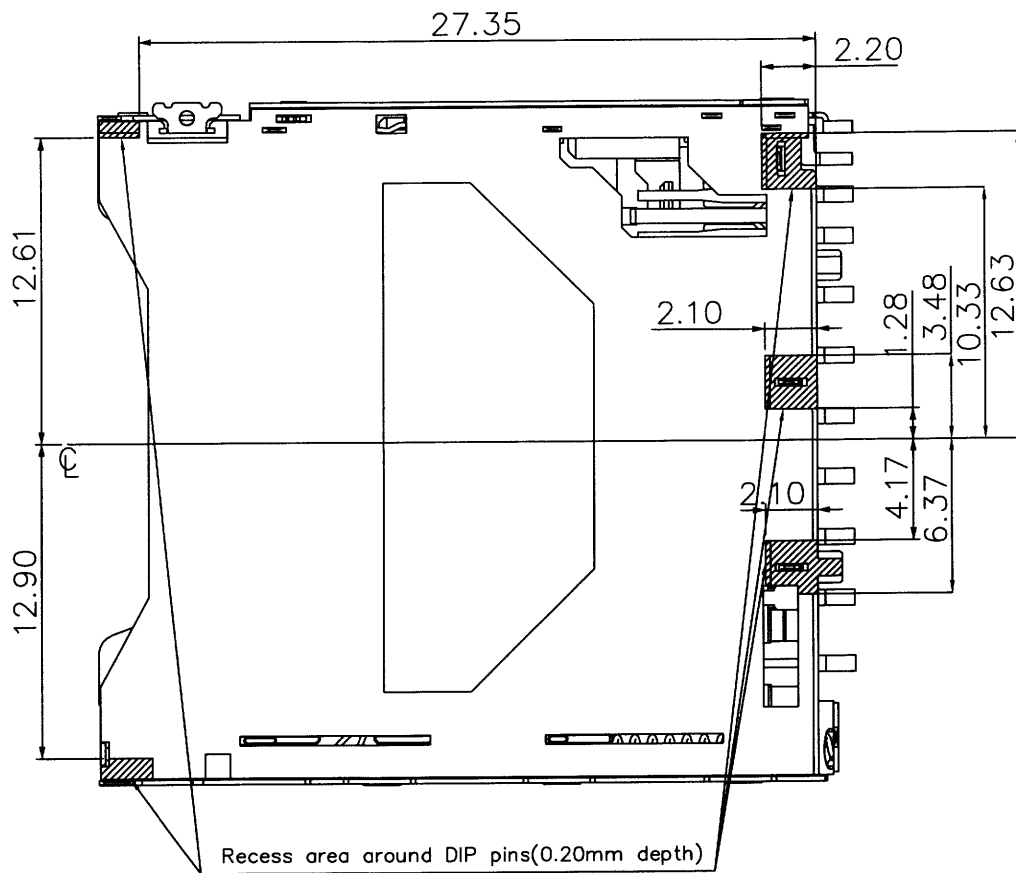
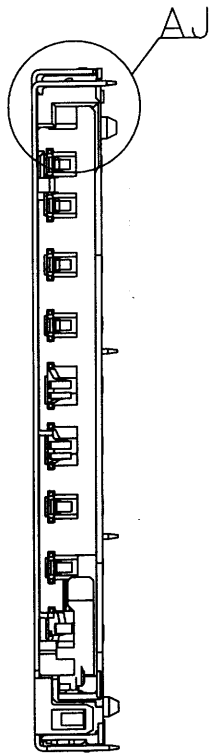
CHANT SINCERE CO., LTD
 TEL: 886-02-86471251 FAX: 886-02-86472962

DRAWN NAME: SD PUSH REVERSE NEW TYPE 4/5

PRODUCT NO. 412DE09PETC9S03

FILE NAME: C-412DE09PETC9S03(GA)

REV.	A	ECN-0805037(Li)	DESCRIPTION	DATE	5/29/08
------	---	-----------------	-------------	------	---------



UNLESS OTHERWISE SPECIFIED TOLERANCE		 CHANT SINCERE CO., LTD TEL: 886-02-86471251 FAX: 886-02-86472962	
ANG.	±5°		
0.	±0.5		
.0	±0.3		
.00	±0.2		
SCALE:	AS SHOWN	UNIT:	mm
DRAWN	CHERRY	DATE	05/20/08
CHECKED	pearl	DATE	05/21/08
APPROVED	Joe	DATE	05/21/08
DRAWN NAME:		SD PUSH REVERSE NEW TYPE	
PRODUCT NO.		412DE09PETC9S03	
FILE NAME:		C-412DE09PETC9S03(GA)	

REV.	A	ECN-0805037(Li)	DESCRIPTION	DATE	05/29/08
------	---	-----------------	-------------	------	----------