

RECOMMENDED P.C.B LAYOUT
TOLERANCE: ±0.05mm

MS (MSDuo)	
PIN #	NAME
1	VSS
2	BS
3	VCC (DATA1)
4	VCC (DATA0)
5	Reserved (DATA2)
6	INS
7	Reserved (DATA3)
8	SCLK
9	VCC
10	VSS

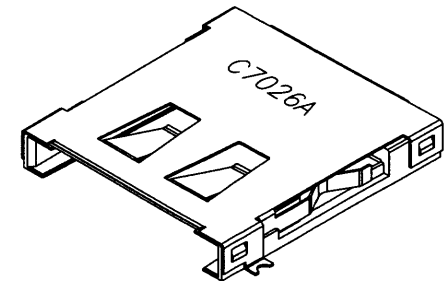
SPECIFICATION
MATERIAL
Insulator: Thermal Plastic UL94V-0
Contacts: Copper Alloy
Shell: Satinless(SUS 304)
CONTACT PLATING
Underplate: 50u"~100u" Nickel
Contact Area: 3u"~15u" Selective Gold
Solder Tails Area: 100u"~200u" Tin(Lead Free)
ELECTRICAL
Operation Voltage: 3.3 V
Current Rating: 0.5 Amps Max.
Contact Resistance: 40 mohms Initial
Insulation Resistance: 1000 Mohms Min @ 500 VDC
Dielectric Withstanding Voltage: 250 VAC / Minute
Temperature Range: -20°C To +60°C
PART NO.

464 DA6 X 10 P X B S 3 X
1 2 3 4 5 6 7 8 9 10

- SERIES NO.
464=COMBO CONNECTOR
- TYPE:
DA6=4 IN 1(MS & MS-Duo & MS-Pro & MS-Pro Duo)
- ENVIRONMENT PROTECTION
MATERIAL:
J=SONY SS-00259(Reserved)
K=SONY SS-00259(Matte Tin)
(Reserved)
E=RoHS
F=RoHS(Matte Tin)
- CONTACT NUMBER:
10 Pin
- CONTACT TYPE:
P=Non Distribution
- CONTACT AREA PLATING:
R=3u" Gold (Selective)
C=15u" Gold (Selective)
- CARD KEY ORIENTATION STYLE:
B=Reverse Type
- SHELL PLATING:
S=Strainless
- PRODUCT TYPE:
3=STANDARD TYPE
- INSULATOR:
J=Black
C=Black+Date Code



LOGO
SUPPLIER CODE C 7 02 6 A
REV CODE
DAY CODE
EX.7-2007 WEEK CODE
Monday(星期一)=1
Tuesday(星期二)=2
Wednesday(星期三)=3
Thursday(星期四)=4
Friday(星期五)=5
Saturday(星期六)=6
Sunday(星期日)=7



UNLESS OTHERWISE SPECIFIED TOLERANCE	
ANG.	±5°
0.	±0.5
.0	±0.3
.00	±0.2

SCALE: AS SHOWN UNIT: mm



CHANT SINCERE CO.,LTD
TEL:886-02-86471251 FAX:886-02-86472962

DRAWN CHERRY 12/03/07

DRAWN NAME:
4 IN 1 MS Series Combo Conn.
(Reverse Type)

CHECKED *peav* 12/03/07

APPROVED *Joe* 12/03/07

PRODUCT NO. 464DA6X10PXBS3X

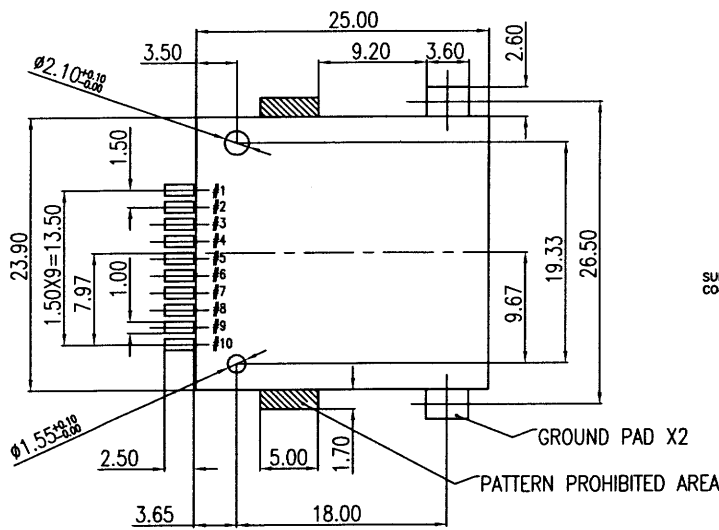
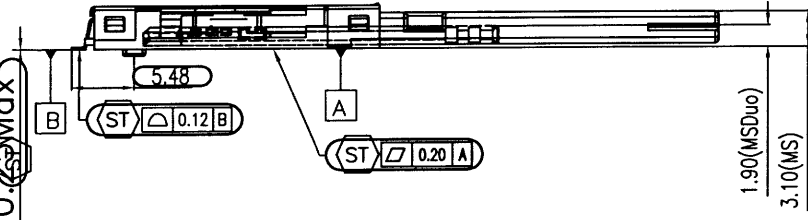
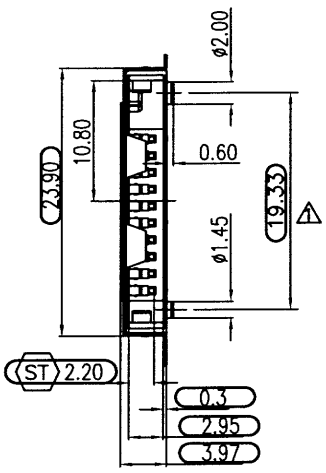
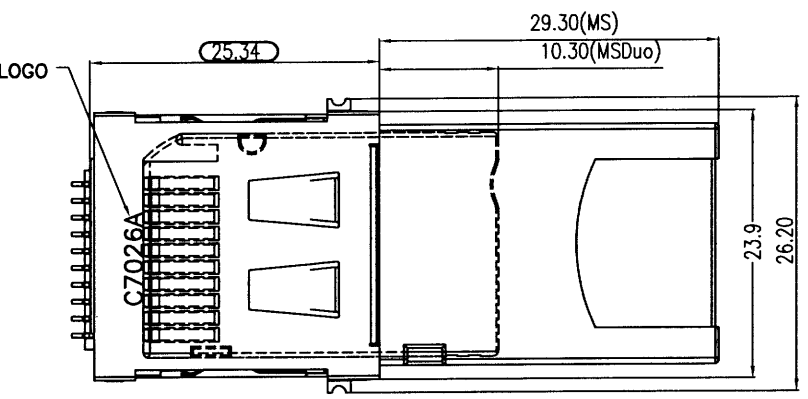
ECN-0712017(Fanly)

11/30/07

DATE SIZE A4 REV. A

FILE NAME: 464DA6K10PXBS3X(GA)

REV. DESCRIPTION



MS (MSDuo)	
PIN #	NAME
1	VSS
2	BS
3	VCC (DATA1)
4	VCC (DATA0)
5	Reserved (DATA2)
6	INS
7	Reserved (DATA3)
8	SCLK
9	VCC
10	VSS

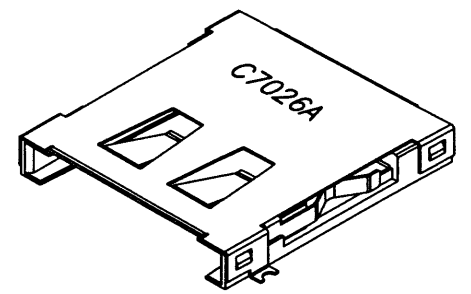
RECOMMENDED P.C.B LAYOUT
TOLERANCE: ±0.05mm

SPECIFICATION

MATERIAL
 Insulator: Thermal Platstic UL94V-0
 Contacts: Copper Alloy
 Shell: Satinless(SUS 304)
CONTACT PLATING
 Underplate: 50u"~100u" Nickel
 Contact Area: 3u"~15u" Selective Gold
 Solder Tails Area: 100u"~200u" Tin(Lead Free)
ELECTRICAL
 Operation Voltage: 3.3 V
 Current Rating: 0.5 Amps Max.
 Contact Resistance: 40 mohms Initial
 Insulation Resistance: 1000 Mohms Min @ 500 VDC
 Dielectric Withstanding Voltage: 250 VAC / Minute
 Temperature Range: -20°C To +60°C

PART NO.
 $\frac{464}{1} \frac{DA6}{2} \frac{X}{3} \frac{10}{4} \frac{P}{5} \frac{X}{6} \frac{B}{7} \frac{S}{8} \frac{1}{9} \frac{X}{10}$

- 1.SERIES NO.
464=COMBO CONNECTOR
- 2.TYPE:
DA6=4 IN 1(MS & MS-Duo & MS-Pro & MS-Pro Duo)
- 3.GREEN OPTION:
J=SONY SS-00259(Reserved)
K=SONY SS-00259(Matte Tin)
(Reserved)
E=RoHS
F=RoHS(Matte Tin)
- 4.CONTACT NUMBER:
10 Pin
- 5.CONTACT TYPE:
P=Non Distribution
- 6.CONTACT AREA PLATING:
R=3u" Gold (Selective)
C=15u" Gold (Selective)
- 7.CARD KEY ORIENTATION STYLE:
B=Reverse Type
- 8.SHELL PLATING:
S=Strainless
- 9.PRODUCT TYPE:
1=Normal Type
- 10.INSULATOR:
3=Black
C=Black+Date Code



LOGO: C 7 02 6 A
 SUPPLIER CODE: EX.7=2007 WEEK CODE
 REV CODE: DAY CODE
 Monday(星期一)=1
 Tuesday(星期二)=2
 Wednesday(星期三)=3
 Thursday(星期四)=4
 Friday(星期五)=5
 Saturday(星期六)=6
 Sunday(星期日)=7

UNLESS OTHERWISE SPECIFIED TOLERANCE	
ANG.	±5°
0.	±0.5
.0	±0.3
.00	±0.2

OXOC
 CHANT SINCERE CO.,LTD
 TEL:886-02-86471251 FAX:886-02-86472962

REV.	DESCRIPTION	DATE	SIZE	REV.	FILE NAME:
B	ECN-0904183(Tina) (6,F)	04/27/09	A4	B	464DA6X10PCBS13
A	ECN-0806232(Angel)	06/27/08	A4	B	464DA6K10PCBS13(GA)(Y-E DATA)