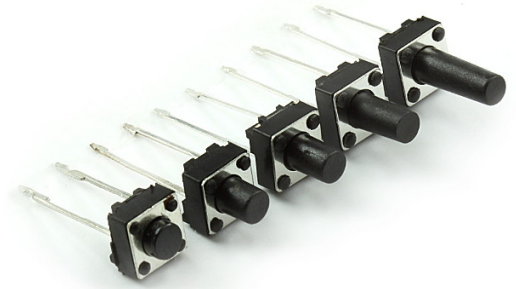
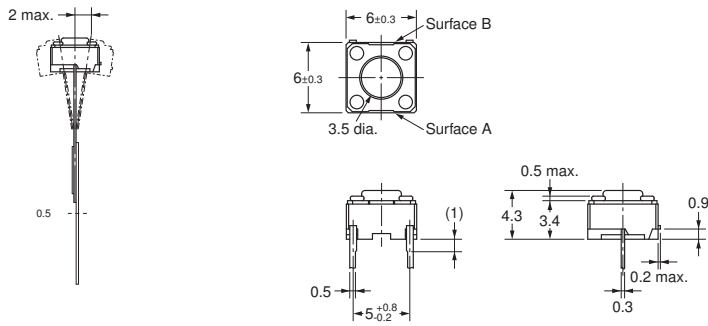


6 mm 6 mm Radial Types

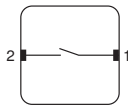
Flat Plunger Type (without Ground Terminal)



PCB Processing Dimensions (Reference Only) (Top View) (PCB thickness, t=1.6)



Terminal Arrangement /Internal Connections (Top View)



■ Features

- Wealth of product types: With or without a ground terminal, vertical type, snap-in terminals, etc.
- Can be automatically dip-soldered: Integral molding of the terminals and main body prevents the escape of flux.

■ Recommended Applications

- Operating switches for electronic equipment

■ Specifications

Type	Snap action/Push-on type SPST	
Electrical	Circuit Diagram	
	Rating	10 μ A 2 V DC to 20 mA 15 V DC (Resistive load)
	Contact Resistance	50 m Ω max.
	Insulation Resistance	50 M Ω min. (at 100 V DC)
	Dielectric Withstanding Voltage	250 VAC for 1 minute
	Bouncing	3 ms max. (ON) 8 ms max. (OFF)
Mechanical	Operating Force	1.0 N \pm 0.4 N 1.3 N \pm 0.4 N 1.6 N \pm 0.5 N
	Travel	0.25 mm \pm 0.10 mm
Endurance	Operating Life	100,000 cycles min.* 50,000 cycles min.
Operating Temperature		-20 $^{\circ}$ C to +70 $^{\circ}$ C
Storage Temperature		-40 $^{\circ}$ C to +85 $^{\circ}$ C (Bulk) -20 $^{\circ}$ C to +40 $^{\circ}$ C (Taping)
Minimum Quantity/Packing Unit		1,000 pcs. Radial Taping (Reel Pack)
Quantity/Carton		10,000 pcs.