



SPECIFICATION

MATERIAL

Insulator: Thermal Plastic, rated UL94V-0

Contacts: Copper Alloy

Shell: Copper Alloy or Steel

CONTACT PLATING

Underplate: 50u"~100u" Nickel

Contact area: Gold Flash

Solder tails area: Gold Flash

ELECTRICAL

Operation voltage: 40 V

Current rating: 0.5 Amps Min.

Contact resistance: 10 mohms Max.

Insulation resistance: 100 Mahms Min. @ 500 VDC

Dielectric withstanding voltage: 500 VAC / minute

Temperature range: -20°C TO +85°C

Mating cycles: 10,000 insertions

Part no.

908 D E 19 F S S A1 X 1 3
1 2 3 4 5 6 7 8 9 10 11

1.SERIES NO.

908=HDMI

2.TYPE

D=SMT

3.Environment Protection Material:

E=RoHS

4.CONTACT NUMBER:

19

5.CONTACT TYPE:

F=FEMALE

6.CONTACT AREA PLATING:

S=1u"GOLD

7.SOLDER AREA PLATING:

S=1u"GOLD

8.MATTING TYPE:

A1=A TYPE, TYPE 1

9.SHELL PLATING:

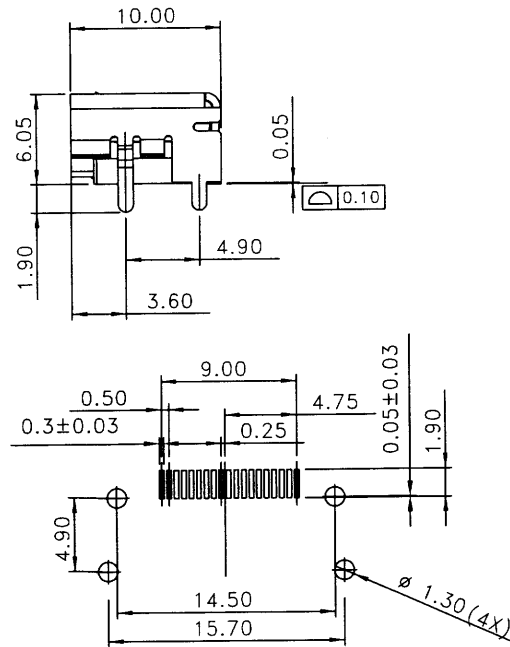
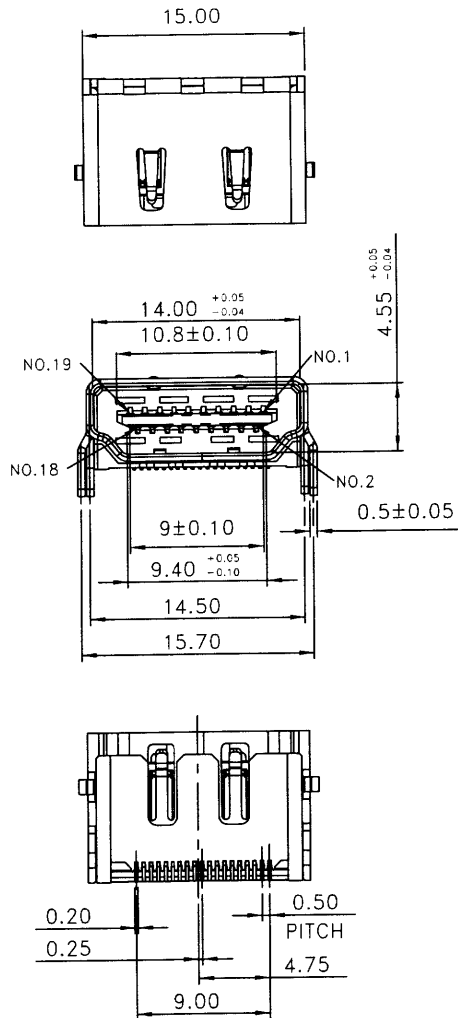
A=Nickel(Steel)

10.SHELL TYPE:

1=W/O Flange

11.INSULATOR COLOR:

3=Black



RECOMMENDED PCB LAYOUT
(THICKNESS=1.6 ±0.15mm)
TOLERANCES: ±0.05mm

UNLESS OTHERWISE SPECIFIED TOLERANCE	
ANG.	±5°
0.	±0.5
.0	±0.3
.00	±0.2

SCALE: AS SHOWN UNIT: mm

DRAWN JOE 09/17/07

CHECKED Brian 09/20/07

APPROVED Joe 09/26/07

DATE 09/10/07

SIZE A4 REV. A



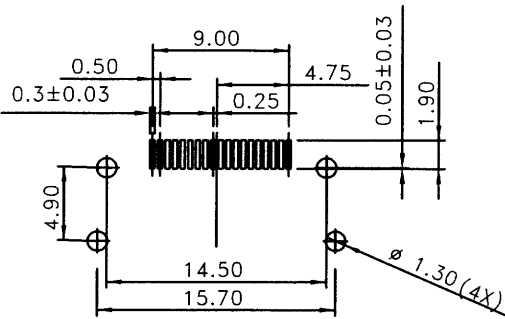
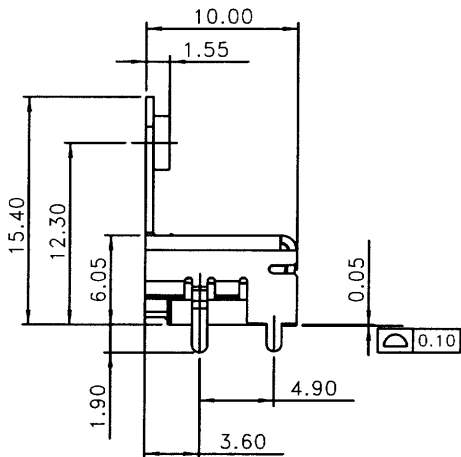
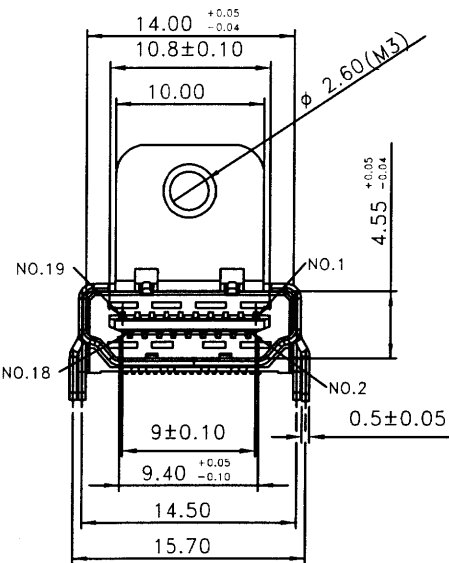
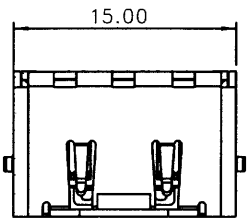
CHANT SINCERE CO.,LTD
TEL:886-02-86471251 FAX:886-02-86472962

DRAWN NAME: HDMI SMT A1 TYPE Conn.

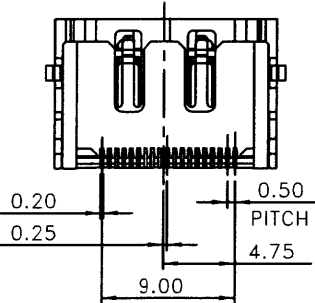
PRODUCT NO. 908DE 9FSSA1X13

FILE NAME: C-908DE19FSSA1A13(GA)

REV.	DESCRIPTION	DATE
A	ECN-0709104(Paige)	09/10/07



RECOMMENDED PCB LAYOUT
(THICKNESS=1.6 ±0.15mm)
TOLERANCES: ±0.05mm

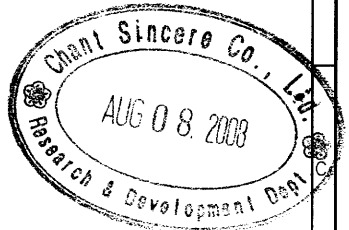
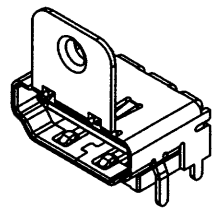


SPECIFICATION
MATERIAL
 Insulator: Thermal Plastic, rated UL94V-0
 Contacts: Copper Alloy
 Shell: Copper Alloy
CONTACT PLATING
 Underplate: 50u"~100u" Nickel
 △Contact area: 1u"~15u" Selective Gold
 △Solder tails area: Gold Flash or 100u"~200u" Tin(Lead Free)
ELECTRICAL
 Operation voltage: 40 V
 Current rating: 0.5 Amps Min.
 Contact resistance: 10 mohms Max.
 Insulation resistance: 100 Mohms Min. @ 500 VDC
 Dielectric withstanding voltage: 500 VAC / minute
 Temperature range: -20°C TO +85°C
 Mating cycles: 10,000 insertions
 Part no.

908 D E 19 F X X A1 X 0 3
1 2 3 4 5 6 7 8 9 10 11

- 1.SERIES NO.
908=HDMI
- 2.TYPE
D=SMT
- 3.GREEN OPTION:
E=RoHS
- 4.CONTACT NUMBER:
19
- 5.CONTACT TYPE:
F=FEMALE
- 6.CONTACT AREA PLATING:
S=1u" Gold
△C=15u" Gold

- 7.SOLDER AREA PLATING:
S=1u" Gold
- △T=Tin Plated
- 8.MATTING TYPE:
A1=A TYPE, TYPE 1
- 9.SHELL PLATING:
△A=Nickel(Spcc)
N=Nickel
- 10.FILL IT WITH "0":
- 11.INSULATOR COLOR:
3=Black



UNLESS OTHERWISE SPECIFIED TOLERANCE	
ANG.	±5°
0.	±0.5
.0	±0.3
.00	±0.2

SCALE: AS SHOWN UNIT: mm



CHANT SINCERE CO.,LTD
TEL:886-02-86471251 FAX:886-02-86472962

D	ECN-0808033(Catherine)△(7,G)(9,E)	08/05/08
C	ECN-0806043(Kuo)△(7,D)(7,G)	06/06/08
B	ECN-0709095(Paige)△(9,E)	09/11/07

DRAWN	PEARL	08/05/08
CHECKED	Cherry	08/06/08
APPROVED	Joe	08/06/08
DATE	SIZE	REV. D

DRAWN NAME:	HDMI SMT A1 TYPE Conn.
PRODUCT NO.	908DE19FXXA1X03
FILE NAME:	C-908DE19FXXA1N03(GA)

REV.	DESCRIPTION	DATE	SIZE	REV.	FILE NAME:
------	-------------	------	------	------	------------