

# AN3826NK

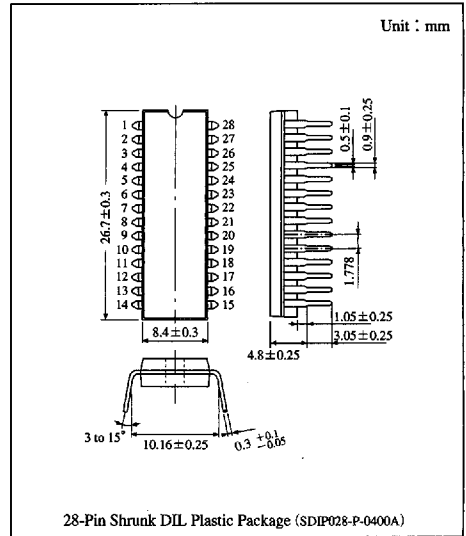
## Capstan Motor Driver IC for VCR

### Overview

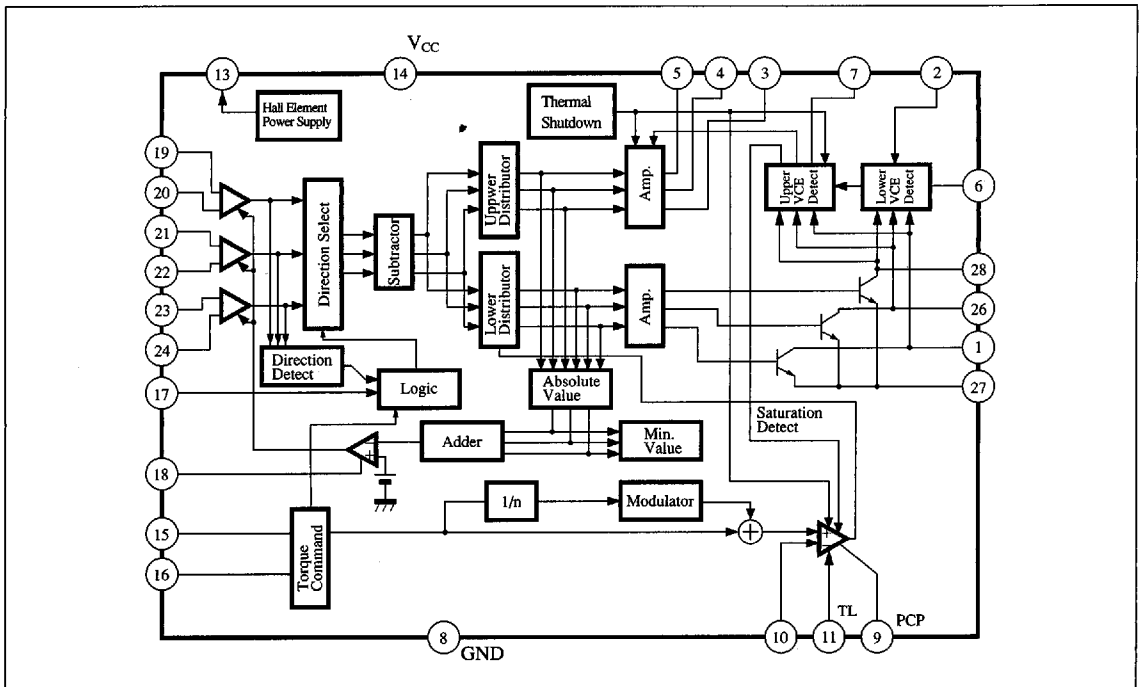
The AN3826NK is an IC designed as VCR capstan Hall motor drive. It is sealed in shrunk type dual-in-line package.

### Features

- Operating supply voltage range :  $V_{CC}=4.5$  to  $5.5V$
- 3-phase full-wave  $180^\circ$  power-on, overlap drive.
- Max. motor voltage :  $V_M=20V$ .
- Max. output current  $I_{OMAX.}=1A$
- Built-in torque ripple cancellation circuit.
- Built-in Hall amplifier and AGC circuit.



### Block Diagram



6932852 0014553 232

**Panasonic**