

High Power LED - 1W

MODEL NO: CL-5WLEZ-1W-SA2 (6.5K)

★Features:

- Fluorescence Type;
- High Luminous Intensity;
- High Efficiency;

★Lens Color:

- Color Diffused Color Transparent
 Water Clear White Diffused

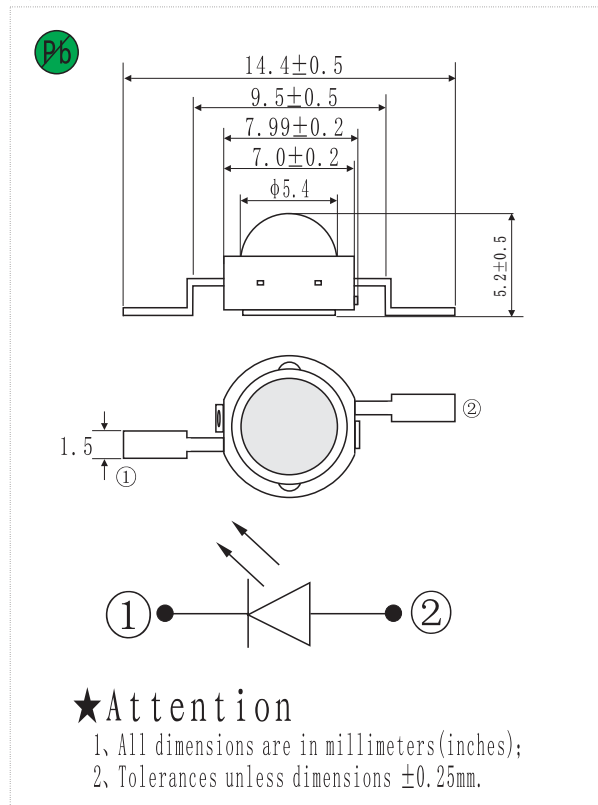
★Descriptions:

- The white LED which was fabricated using a blue LED and a phosphor, and the phosphor is excited by blue light and emits yellow fluorescence. The mixture of blue light and yellow light results in a white emission.

★Applications:

- OA Equipment;
- Backlighting of LCD;
- Automotive Equipment;
- Replacement of Conventional Light Bulbs and Fluorescent Lamps.

★Package Dimension:



★Maximum Ratings (T_{Ambient}=25°C):

Parameter	Symbol	Rating	Unit	Remarks
Forward Current	I _F	350	mA	—
Peak Forward Current	I _{FP}	—	mA	1/10 Duty Cycle
Reverse Voltage	V _R	5	V	—
Operating Temperature	T _{OPR}	-25 ~ +85	°C	—
Storage Temperature	T _{STG}	-40 ~ +100	°C	—
Soldering Temperature	T _{SO1}	260	°C	<3 seconds
Power Dissipation	P _d	1	W	—

★Electro-Optical Characteristics (T_{Ambient}=25°C):

Part Number	Emitting Color	V _F (V)			I _V (lm)		I _R (μA) V _R =5V	Color Temperature	Viewing Angle 2θ _{1/2} (°)
		I _F =350mA			I _F =350mA				
		Min	Typ	Max	Typ	Max			
CL-5WLEZ-1W	WHITE	3.0	3.3	3.8	90	120	<10	6500-7000K	140°

★Elucidation: =Pb free Soldering Application, Pb<1000ppm (RoHS-Compliant)

▲ TEL: 0750-3862666 3862686

▲ FAX: 0750-3862678

▲ LEDs

▲ Infrared LEDs

▲ WEB: <http://www.jmcl.cn>

▲ E-mail: changliled@21cn.com

▲ LED Displays

▲ LCD Backlight

▲ ADD: NO.36 Bangmin Road Jianghai Distict Jiangmen China

▲ LED Light