

★Maximum Ratings ($T_{Ambient}=25^{\circ}C$):

Parameter	Symbol	Rating	Unit	Remarks
Forward Current	I_F	350	mA	—
Peak Forward Current	I_{FP}	—	mA	1/10 Duty Cycle
Reverse Voltage	V_R	5	V	—
Operating Temperature	T_{opr}	-25 ~ +85	$^{\circ}C$	—
Storage Temperature	T_{stg}	-40 ~ +100	$^{\circ}C$	—
Soldering Temperature	T_{sol}	260	$^{\circ}C$	<3 seconds
Power Dissipation	P_d	1	W	—

★Electro-Optical Characteristics ($T_{Ambient}=25^{\circ}C$):

Part Number	Emitting Color	$V_F(V)$ $I_F=350mA$			$I_V(1m)$ $I_F=350mA$		$I_R(\mu A)$ $V_R=5V$	Color Temperature	Viewing Angle $2\theta_{1/2}(^{\circ})$
		Min	Typ	Max	Typ	Max			
CL-5WLEZ-1W	WHITE	3.0	3.3	3.8	90	120	<10	6500-7000K	140 $^{\circ}$

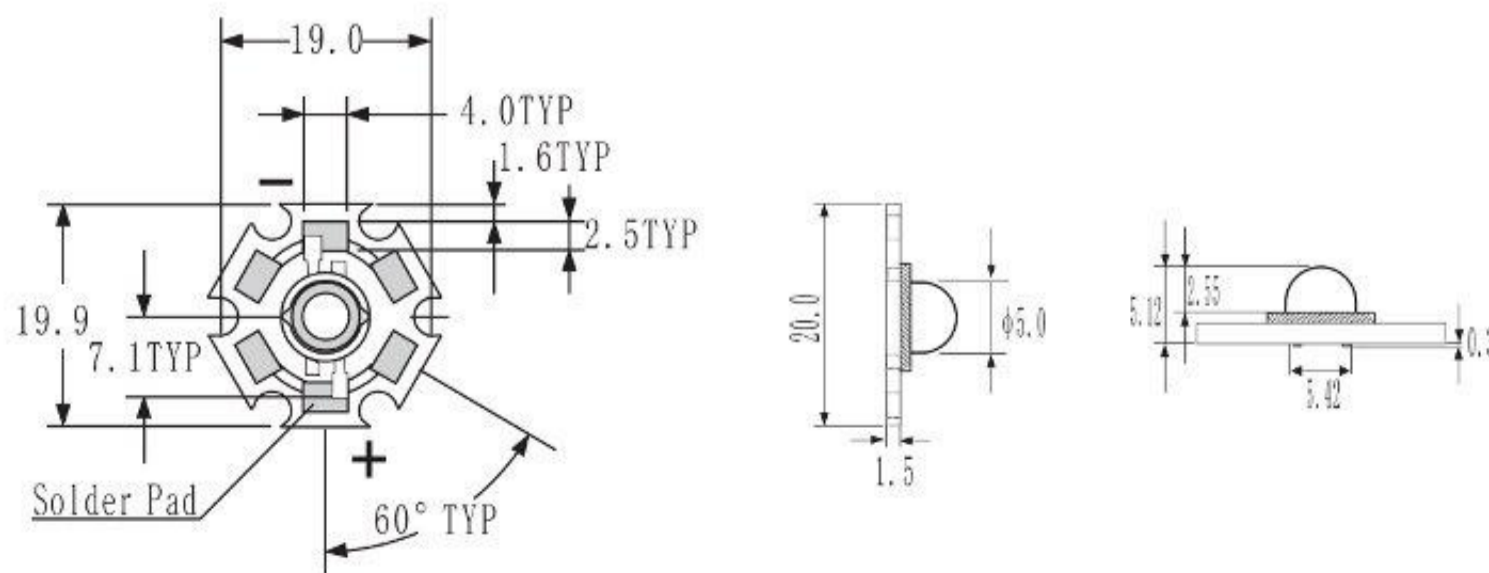


High Power LED - 1W

MODEL NO: CL-5WLEZ-1W-SA2 (6.5K)

Package Outlines

(unit:mm)



- Remark : 1. "△" represents Internal Circuit Feature: A、C、E...Common Cathode, B、D、F...Common Anode.
 2. "□" represents LED Emitted Color.
 3. All dimensions are in millimeters, tolerance is 0.25mm unless otherwise noted.
 4. Above specification is measured by CHANGLI's test instrument and may be changed without notice.
 5. Supplier will reserve authority on material change for above specification.