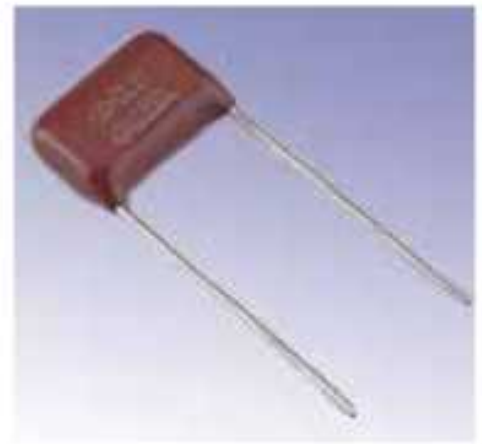


CL21 Metallized Polyester Film Capacitor

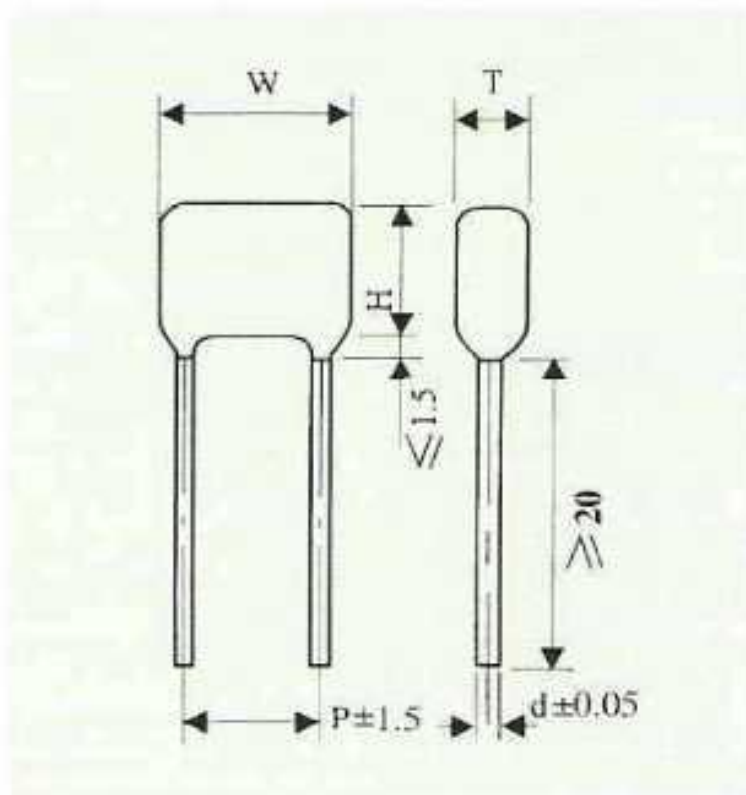


Features:

- * Metallized polyester film, epoxy resin coating
- * Large C - Values in small dimensions
- * Excellent self - healing property and high reliability

Applications:

- * Blocking, bypass and coupling for DC and signals of VHF range
- * Widely used in filter, noise suppression and low pulse circuits



Dimension:

V	Cap. uF	Maxium Dimension (mm)					V	Cap. uF	Maxium Dimension (mm)				
		W	H	T	P	d			W	H	T	P	d
100V	0.1	12.5	12	7	7	0.6	400V	0.01	12.5	11.5	7	7.5	0.6
	0.15	12.5	12.5	7.5	7	0.6		0.015	12.5	12.5	7.5	7.5	0.6
	0.22	15.5	12.5	7.5	10	0.6		0.022	15.5	11.5	7	10.5	0.6
	0.33	15.5	13	8	10	0.6		0.033	15.5	12.5	8	10.5	0.6
	0.47	15.5	14.5	9	10	0.6		0.047	15.5	12.5	8	10.5	0.6
	0.68	20.5	14.5	8.5	14.5	0.6		0.068	15.5	12.5	8.5	10.5	0.6
	1.0	20.5	15.5	10	14.5	0.8		0.1	18	13	9	12.5	0.6
	1.5	20.5	17.5	11.5	14.5	0.8		0.15	20.5	14.5	9	14.5	0.6
	2.2	26	19.5	12	20	0.8		0.22	20.5	16	10.5	14.5	0.6
	3.3	26	22.5	14	20	0.8		0.33	26	17.5	10.5	20.5	0.8
250V	4.7	37.5	23.5	13	31.5	0.8	0.47	26	19.5	12.5	20.5	0.8	
	6.8	37.5	27.5	15.5	31.5	1.0	0.68	26	21.5	14	20.5	0.8	
	10	37.5	31	18	31.5	1.0	1.0	37.5	24.5	13.5	32.5	0.8	
	0.047	12.5	12	7	7.5	0.6	1.5	37.5	28	15.5	32.5	1.0	
	0.068	12.5	12.5	7.5	7.5	0.6	2.2	42.5	28.5	18	36.5	1.0	
	0.1	15.5	12	7	10	0.6	3.3	42.5	32	20.5	36.5	1.0	
	0.15	15.5	13	8.5	10	0.6	4.7	42.5	35.5	24.5	36.5	1.0	
	0.22	20.5	14	7.5	14.5	0.6	0.01	15.5	11.5	7	10.5	0.6	
	0.33	20.5	14.5	8.5	14.5	0.6	0.015	15.5	12.5	7.5	10.5	0.6	
	0.47	20.5	16.5	10	14.5	0.8	0.022	15.5	11.5	7	10.5	0.6	
630V	0.68	20.5	18	11	14.5	0.8	0.033	15.5	12.5	8	10.5	0.6	
	1.0	29	19	10.5	23	0.8	0.047	18	12.5	8	13	0.6	
	1.5	29	20	12	23	0.8	0.068	18	13	9	13	0.6	
	2.2	29	24	15	23	0.8	0.1	26	14.5	9	20.5	0.8	
	3.3	41.5	24	14	35.5	0.8	0.15	26	16.5	10	20.5	0.8	
	4.7	41.5	27	16	35.5	1.0	0.22	26	19	12	20.5	0.8	
	6.8	41.5	30	20	35.5	1.0	0.33	26	20.5	13.5	20.5	0.8	
	10	41.5	37	23.5	35.5	1.0	0.47	37.5	23.5	13	32.5	0.8	
							0.68	37.5	25.5	15.5	32.5	1.0	
							1.0	42.5	26.5	17	36.5	1.0	
						1.5	42.5	29.5	19.5	36.5	1.0		
						2.2	42.5	32.5	22.5	36.5	1.0		