

REV.	DESCRIPTION	DRAWN	CHECKED	APPROVED
A	NEW RELEASE	YCH 08/26/07'	~	

SPECIFICATION

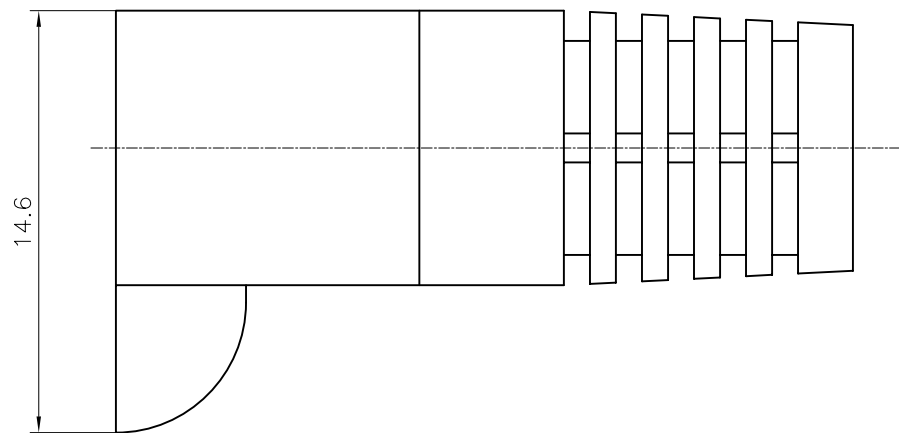
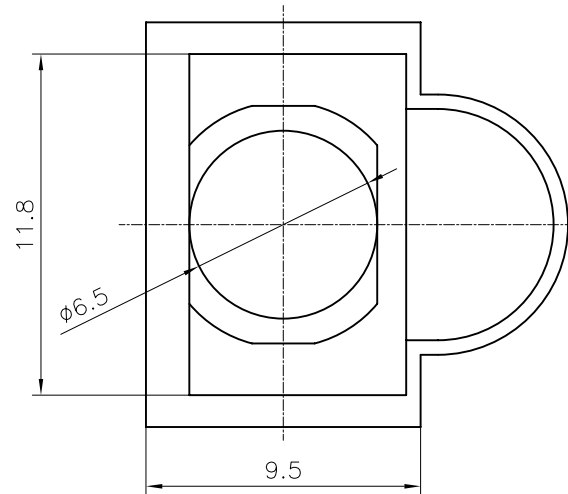
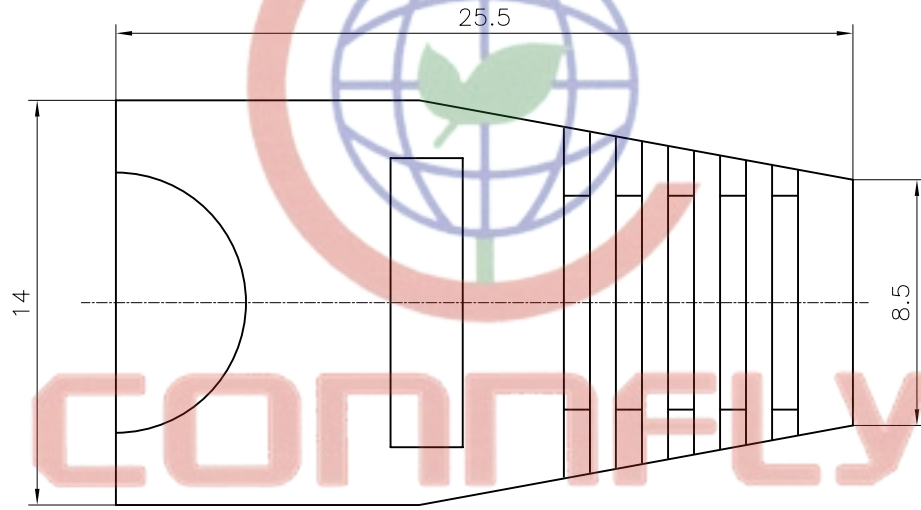
- MATERIAL: PVC
- Product Number Code:

DS1124-03 - P X

Hood Color
V:Ivory
A:Gray
R:Red
G:Green
B:Black
Y:Yellow

Connector Type
P:Plug

Series No.
DS1124-03



Tel: 86-574-63508787

Fax: 86-574-63510817

GENERAL TOLERANCE		ANGLE TOLERANCE		PROJECTION	⊕	TITLE
X.	±0.60	X.	±5°	UNITS	mm	PLUG 10P HOOD(CABLE OD=φ6.5)
.X	±0.38	.X	±3°	SHEET SIZE	A4	SERIES DS1124-03 SERIES
.XX	±0.25	.XX	±2°			
DRAWING TYPE		CUSTOMER		晨翔电子有限公司 CONNFLY CONNFLY ELECTRONIC CO. LTD		
SCALE		1:1	SHEET 1 OF 1			
DRAWING NO.		CIDS1124-03-PX				

P.C:315521