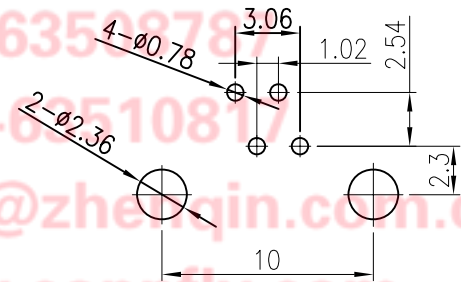
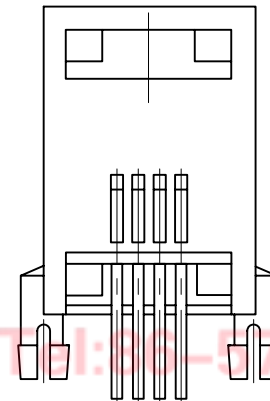
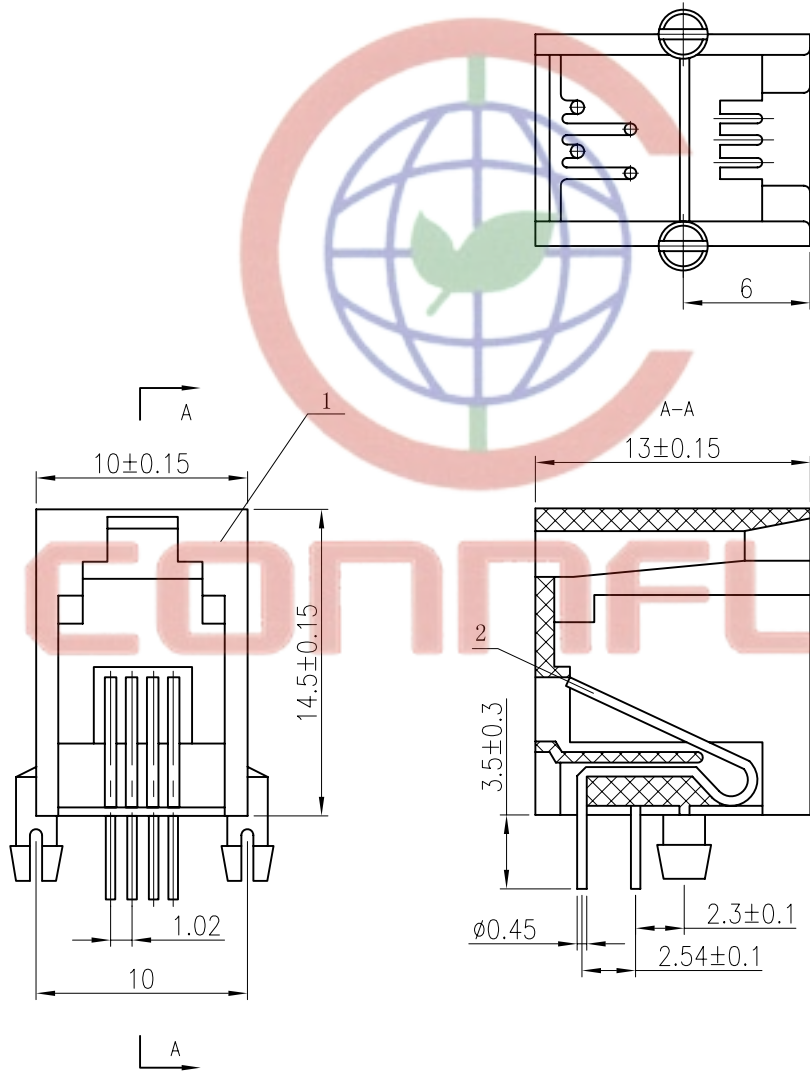


REV.	DESCRIPTION	DRAWN	CHECKED	APPROVED
A	NEW RELEASE	LL 06/24/06'		

SPECIFICATION


- Insulation Resistance:1000MΩ Min.
 - Withstand Voltage:500V AC/Minute.
 - Contact resistance: 50mΩ max.
 - Durability:600 Mating Cycles Min.
 - Product Number Code:
DS1132-X X X X X
- Housing Materials
P:PBT
N:NYLON
 - Housing Color
A:Gray
B:Black
 - Contact Plating
0:Gold Flash
3:Selective 3u" Gold
(6;15;30)Micro Inch
 - No.Of Contacts
4:4P4C
 - Connector Type
S:Socket
 - Series No.
DS1132



RECOMMEND PCB LAYOUT(TOLERANCE=±0.05)

GENERAL TOLERANCE		ANGLE TOLERANCE		PROJECTION	TITLE
X.	±0.60	X.	±5'	mm	PCB JACK 4P
.X	±0.38	.X	±3'		
.XX	±0.25	.XX	±2'		
DRAWING TYPE		CUSTOMER		SHEET SIZE	SERIES
SCALE		1:1		A4	DS1132 SERIES
DRAWING NO.		C-DS1132-XXXXX		SHEET 1 OF 1	

No.	PART NAME	QTY	MATERAIL	REMARK
(2)	PIN		PHOSPHOR BRONZE	GOLD-PLATING OVER NICKEL
(1)	HOUSING	1	PBT OR NYLON	UL94 V-0 OR 94 V-2


晨翔电子有限公司
CONNFLY CONNFLY ELECTRONIC CO. LTD

Tel: 86-574-6350878
 Fax: 86-574-6351081
 E-mail: sale@zhelqin.com.cn
 Http://www.connfly.com