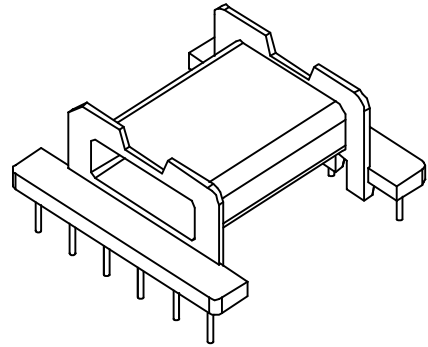
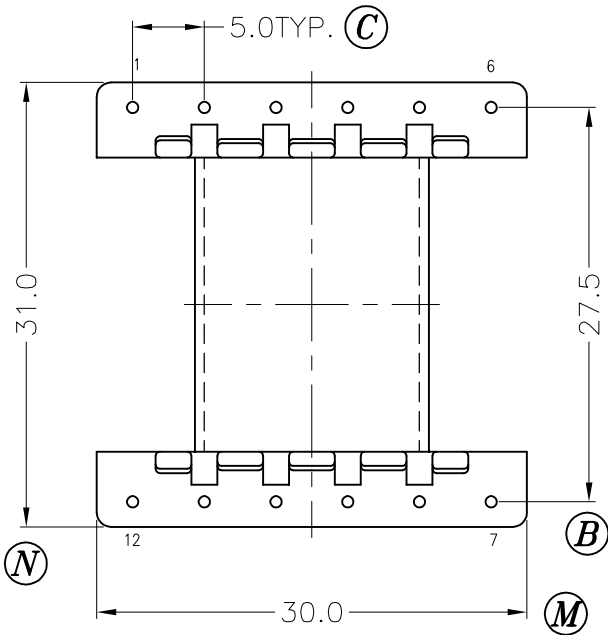
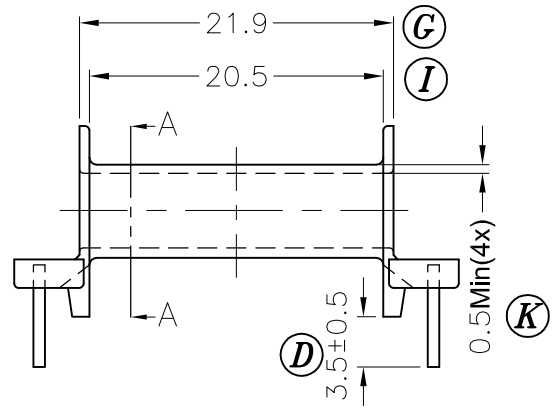
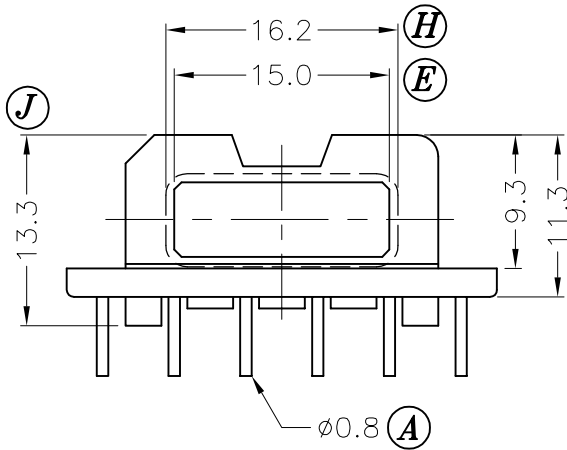


SEC. A-A



| REV. | REVISIONS REC. | DATE. | REV. | REVISIONS REC. | DATE. |
|------|---------------------|-----------|------|----------------|-------|
| 1 | ADD A DIMENSION (O) | '03.02.15 | | | |
| 2 | CANCEL (L),(K). | '03.10.20 | | | |
| 3 | ADD "K" | '07.05.04 | | | |

| | | | | | |
|--|-------------|----------------|-----------------------|-------------------------------------|---------------------------------|
| DRAWN & DRAFTED BY He Qihui | TOLERANCES | | ANGLE: $\pm 1^\circ$ | TITLE: T-H BOBBIN EFD-30 | |
| | 0<L≤4 ±0.1 | pin pitch ±0.2 | UNIT: MM | BOBBIN MATERIAL: PHENOLIC PM9820 | UL REC. UL 94V-0 |
| CHECKED & APPROVED BY | 4<L≤16 ±0.2 | 16<L≤63 ±0.3 | ORIGIN: DG | PIN MATERIAL: CP WIRE | PIN TENSION LOAD: 1.5KG MIN. |
| PIN SHINE INDUSTRIAL CO.,LTD. TEL:886-2-22990545 FAX:886-2-22990546 | | | DATE: OCT.20 '2003 | DRAWING NO. P-3004 | REV. 3 |