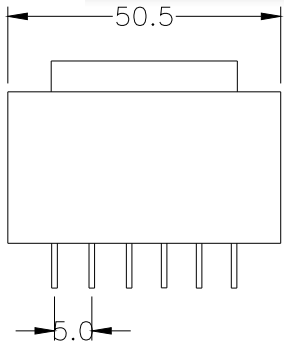
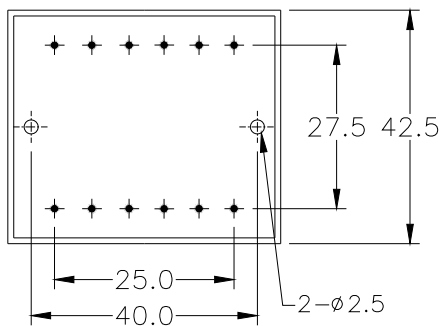
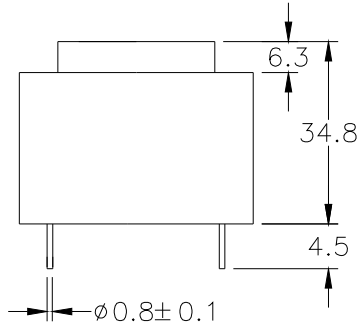


# Encapsulated Transformer

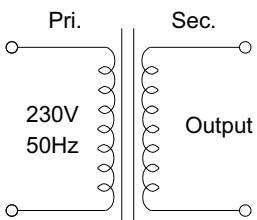
El-48x16.8mm series



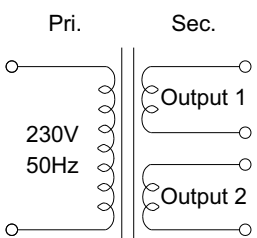
Unit: in mm



Secondary Circuitry: A



Secondary Circuitry: D



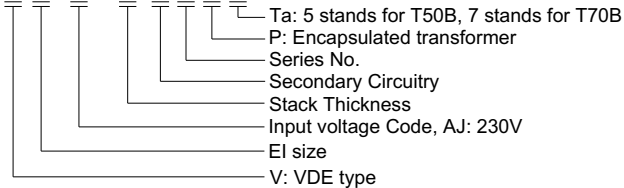
Catalog No	Secondary					Primary Fuse	Ambient Temp. (Ta)	Approval	
	Rated Voltage	Power Rating	Loading Current	No-Load Voltage	Secondary Circuitry			VDE	CE
V48AJ-16A1P7	6.0 V	10.0 VA	1667 mA	7.2 V	A	63 mA	70°C	○	●
V48AJ-16A2P7	7.5 V	10.0 VA	1333 mA	9.8 V	A	63 mA	70°C	○	●
V48AJ-16A3P7	9.0 V	10.0 VA	1111 mA	10.8 V	A	63 mA	70°C	○	●
V48AJ-16A4P7	12.0 V	10.0 VA	833 mA	14.4 V	A	63 mA	70°C	○	●
V48AJ-16A5P7	15.0 V	10.0 VA	667 mA	18.1 V	A	63 mA	70°C	○	●
V48AJ-16A6P7	18.0 V	10.0 VA	556 mA	21.6 V	A	63 mA	70°C	○	●
V48AJ-16A7P7	24.0 V	10.0 VA	417 mA	28.9 V	A	63 mA	70°C	○	●

Catalog No	Secondary					Primary Fuse	Ambient Temp. (Ta)	Approval	
	Rated Voltage	Power Rating	Loading Current	No-Load Voltage	Secondary Circuitry			VDE	CE
V48AJ-16D1P7	6.0 Vx2	10.0 VA	833 mA	7.2 Vx2	D	63 mA	70°C	○	●
V48AJ-16D2P7	7.5 Vx2	10.0 VA	667 mA	9.8 Vx2	D	63 mA	70°C	○	●
V48AJ-16D3P7	9.0 Vx2	10.0 VA	556 mA	10.8 Vx2	D	63 mA	70°C	○	●
V48AJ-16D4P7	12.0 Vx2	10.0 VA	417 mA	14.4 Vx2	D	63 mA	70°C	○	●
V48AJ-16D5P7	15.0 Vx2	10.0 VA	333 mA	18.1 Vx2	D	63 mA	70°C	○	●
V48AJ-16D6P7	18.0 Vx2	10.0 VA	278 mA	21.6 Vx2	D	63 mA	70°C	○	●
V48AJ-16D7P7*	24.0 Vx2	10.0 VA	208 mA	28.9 Vx2	D	63 mA	70°C	○	●

Remarks :

1) Catalog Number System :

V XX XX - XX X X X X



2) Non short-circuit proof safety isolating transformer

3) \* - Non short-circuit proof isolating transformer

4) Temperature Class : B

5) Weight per unit : approximate 320gm

6) ● - Approved

7) ○ - Meet Standard