

MIEC

PAGE : 1
VERSION : 1.0

●PART NUMBER : EIR-303C Infrared Emitting Diode SPECIFICATION

●ELECTRICAL AND OPTICAL CHARACTERISTICS (Ta=25 °C)

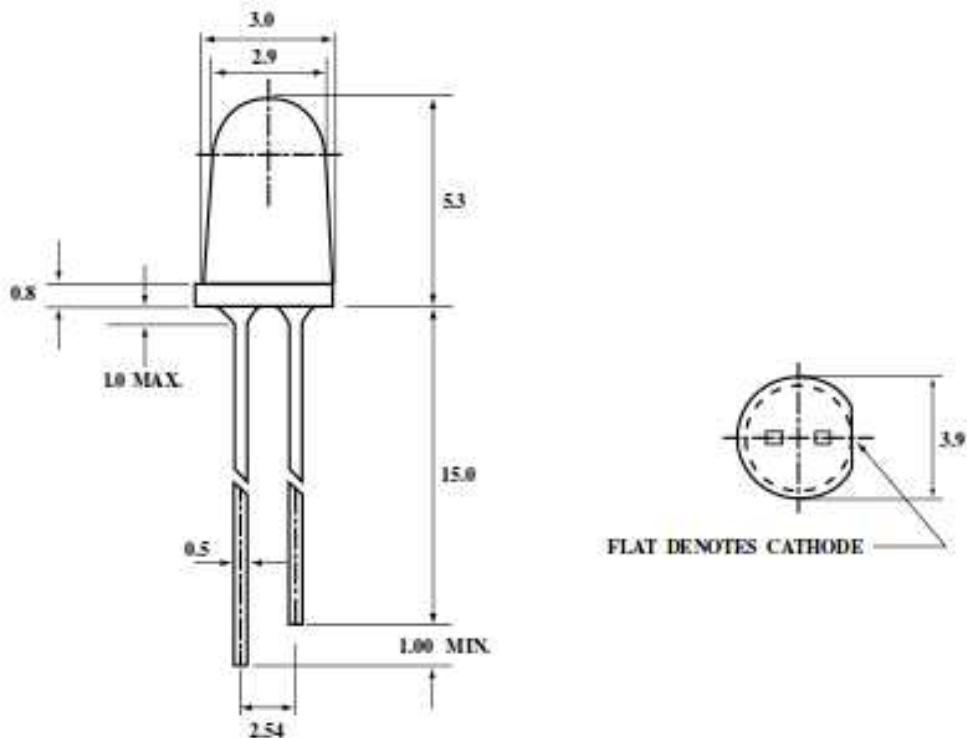
Chip		Lens Appearance	Absolute Maximum Rating			Electro - optical Data(At 20mA)			Viewing Angle 2θ 1/2 (deg)
Color	Wave length		Pd (mW)	If (mA)	Peak If(mA)	Vf (V)		Iv Typ. (mcd)	
						Typ.	Max.		
	940 nm	-	100	60	60	1.2	1.4	-	30

Remark : Viewing angle is the Off-axis angle at which the luminous intensity is half the axial luminous intensity.

●ABSOLUTE MAXIMUM RATINGS (Ta=25 °C)

Reverse Voltage at Ir = 10uA.....	9V
Reverse Current (-VR= 9V)	10 uA
Operating Temperature Range	-20 °C ~ 70 °C
Storage Temperature Range	-40 °C ~ 85 °C

●PACKAGE DIMENSIONS



NOTES : 1. All dimensions are in millimeters.

2. Tolerance is ± 0.5mm unless otherwise specified.

3. Lead spacing is measured where the leads emerge from the package.

4. Specifications are subject to change without notice.