

DC FAN
50mm×50mm×10mm

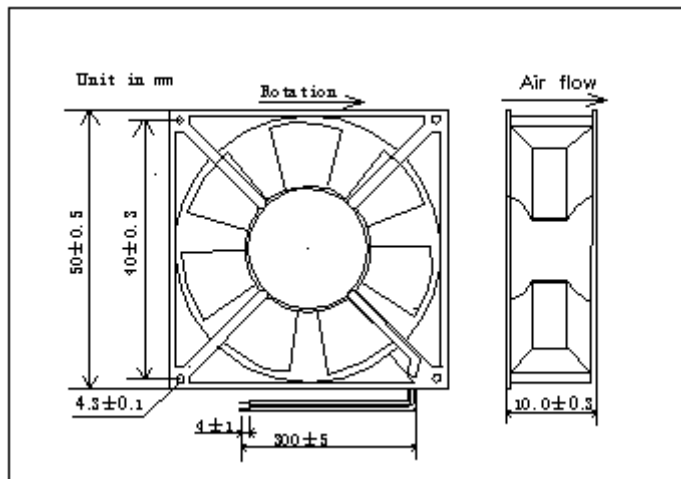
- Housing: **Plastic P.B.T.**
- Blade: **Plastic P.B.T.**
- Insulation Resistance: **10MΩ** at 500VDC between lead and frame
- Dielectric Strength: **1 min** at 500VAC/50-60HZ ,current < 5mA
- Operation Temperature: **-15° C ~ 75° C**
- Operation Humidity: **20% ~ 85%**
- Working voltage: **Rated Voltage ± 1 5 %**
- Life at 25° C : **Ball bearing 60,000hr, sleeve bearing 30,000hr,**
Ball + Sleeve Bearing 45,000hr



Specification Table

Model	Bearing Style	Voltage VDC	Current AMP	Input Watts	Speed RPM	Airflow CFM	AirPressure mmH ₂ O	Noise dBA	Weight
FD5010D12MS-1	S	12	0.09	1.08	4600	10.7	2.6	30.9	20g

S: SLEEVE BEARING B: 1 BALL+ SLEEVE or 2 BALL BEARING



Conversion Table of Airflow

CFM	m ³ /sec	m ³ /min	ft ³ /sec
2118	1	60	35.31
35.31	0.01666	1	0.5885
60	0.02832	1.69833	1
1	0.00047	0.02832	0.01666

Conversion Table of Air Pressure

mmH ₂ O	inH ₂ O	Pa=N/m	afm
1	0.03939	9.80665	0.00009
25.4	1	249	0.00246
0.10197	0.0040	1	0.00001
10332	407.1	101325	1