

DC FAN

60mm×60mm×15mm

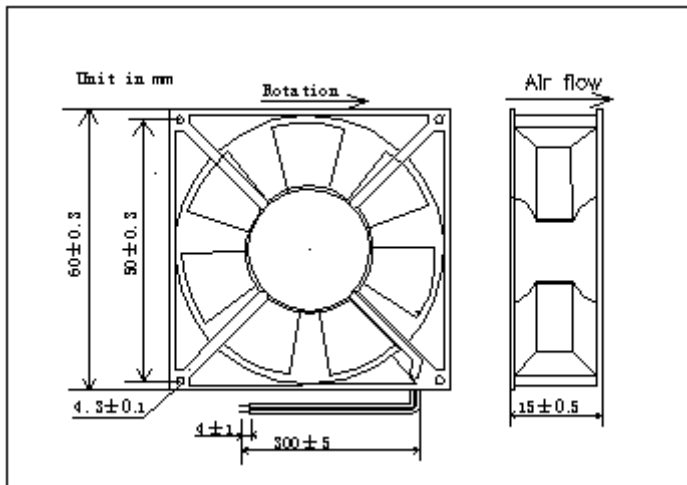
- Housing: Plastic P.B.T.
- Blade: Plastic P.B.T.
- Insulation Resistance: 10MΩ at 500VDC between lead and frame
- Dielectric Strength: 1 min at 500VAC/50-60HZ ,current < 5mA
- Operation Temperature: -15° C ~ 75° C
- Operation Humidity: 20% ~ 85%
- Working voltage: Rated Voltage ± 1 5 %
- Life at 25° C : Ball bearing 60,000hr, sleeve bearing 30,000hr,
Ball + Sleeve Bearing 45,000hr



Specification Table

Model	Bearing Style	Voltage VDC	Current AMP	Input Watts	Speed RPM	Airflow CFM	AirPressure mmH ₂ O	Noise dBA	Weight
FD6015D12HS	S	12	0.23	2.76	4000	19.0	3.0	32.9	30g

S: SLEEVE BEARING B: 1 BALL+ SLEEVE or 2 BALL BEARING



Conversion Table of Airflow

CFM	m ³ /sec	m ³ /min	ft ³ /sec
2118	1	60	35.31
35.31	0.01666	1	0.5885
60	0.02832	1.69833	1
1	0.00047	0.02832	0.01666

Conversion Table of Air Pressure

mmH ₂ O	inH ₂ O	Pa=N/m	afm
1	0.03939	9.80665	0.00009
25.4	1	249	0.00246
0.10197	0.0040	1	0.00001
10332	407.1	101325	1