

**DC FAN**  
**92mm×92mm×25mm**

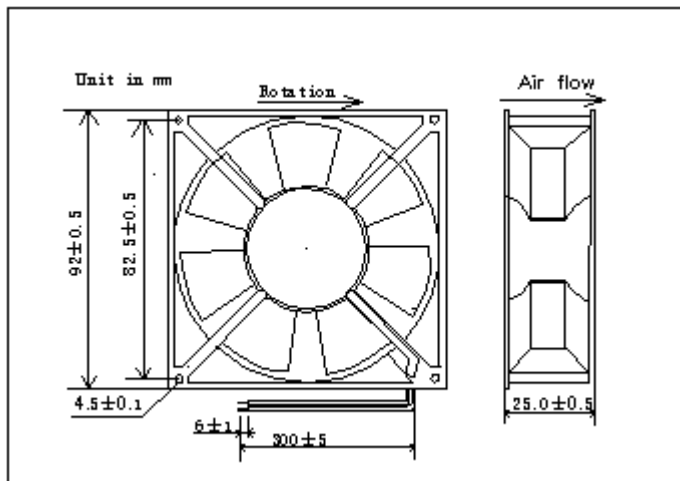
- Housing: Plastic P.B.T.
- Blade: Plastic P.B.T.
- Insulation Resistance: 10MΩ at 500VDC between lead and frame
- Dielectric Strength: 1 min at 500VAC/50-60HZ ,current < 5mA
- Operation Temperature: -15° C ~ 75° C
- Operation Humidity: 20% ~ 85%
- Working voltage: Rated Voltage ± 1 5 %
- Life at 25° C : Ball bearing 60,000hr, sleeve bearing 30,000hr



**Specification Table**

Model	Bearing Style	Voltage VDC	Current AMP	Input Watts	Speed RPM	Airflow CFM	AirPressure mmH <sub>2</sub> O	Noise dBA	Weight
FD9225D12HS	S	12	0.28	3.36	3000	62.0	3.9	38.4	87g

S: SLEEVE BEARING      B: 1 BALL+ SLEEVE or 2 BALL BEARING



**Conversion Table of Airflow**

CFM	m <sup>3</sup> /sec	m <sup>3</sup> /min	ft <sup>3</sup> /sec
2118	1	60	35.31
35.31	0.01666	1	0.5885
60	0.02832	1.69833	1
1	0.00047	0.02832	0.01666

**Conversion Table of Air Pressure**

mmH <sub>2</sub> O	inH <sub>2</sub> O	Pa=N/m	afm
1	0.03939	9.80665	0.00009
25.4	1	249	0.00246
0.10197	0.0040	1	0.00001
10332	407.1	101325	1