



10.0mm Round Type Ultra White LED Lamps

PART NO: FYL-10003UWC/S

REV NO: 1.0

PAGE: 1/2

■ Features:

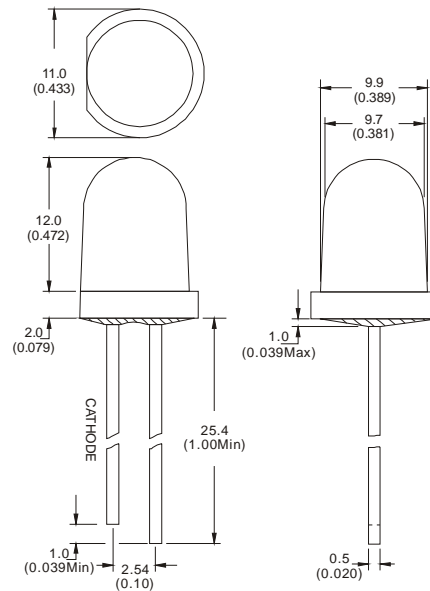
- Ultra brightness.
- Choice of various viewing angles.
- PB Free
- Round 1.0" Lead $\varnothing 10$ package.
- IC compatible /Low current capability.



■ Descriptions:

- The series is specially designed for applications requiring higher brightness.

Package Dimensions:



NOTES:

1. All dimension are in millimeters.
2. An epoxy meniscus may extend about 1.5mm down to the lead.
3. Tolerances unless dimension ± 0.25 mm.



10.0mm Round Type Ultra White LED Lamps

PART NO: FYL-10003UWC/S

REV NO: 1.0

PAGE: 2/2

■ Chip and Lens Appearance

Part No	Chip	Lens Color
FYL-10003UWC/S	-	Water clear

■ Absolute Maximum Ratings at Ta=25°C

Parameter	Symbol	Rating	Unit
Forward Current	I _F	30	mA
Power Dissipation	P _d	120	mW
Reverse Voltage	V _R	5	V
Peak Forward Current (Duty 1/10 @1KHZ)	I _{PF}	100	mA
Operation Temperature	T _{OPR}	-40 to +80	°C
Storage Temperature	T _{STG}	-40 to +85	°C
Lead Soldering Temperature	T _{SOL}	Max.260°C for 3 sec Max. (1.60mm from the base of the epoxy bulb)	°C

■ Electronic Optical Characteristics at Ta=25°C

Items	Symbol	Min.	Typ.	Max.	Unit	Condition
Forward Voltage	V _F	-	3.20	4.00	V	I _F =20mA
Reverse Current	I _R	-	-	10	uA	V _R =5V
Dominant Wavelength	λ _D	-	-	-	nm	I _F =20mA
Spectrum Line Half width	Δλ	-	-	-	nm	I _F =20mA
Luminous Intensity	I _V	15000	16000	18000	mcd	I _F =20mA
Viewing Angle	2 θ 1/2	-	15	-	degree	I _F =20mA