



5.0mm Round Type LED Lamps

PART NO: FYL-5013UWC/R

REV NO: 1.0

PAGE: 1/2

■ Features:

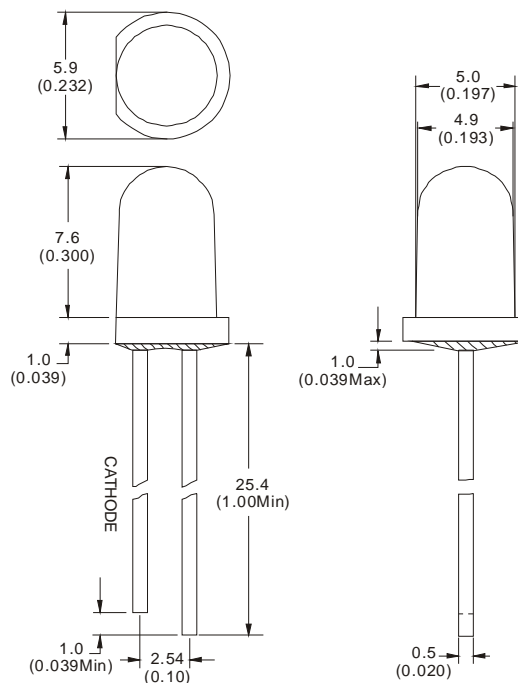
- Ultra brightness.
- Choice of various viewing angles.
- PB Free
- Popular T-1 3/4 diameter package.
- IC compatible /Low current capability.



■ Descriptions:

- The series is specially designed for applications requiring higher brightness.

■ Package Dimensions:



NOTES:

1. All dimension are in millimeters.
2. An epoxy meniscus may extend about 1.5mm down to the lead.
3. Tolerances unless dimension ± 0.25 mm.



5.0mm Round Type LED Lamps

PART NO: FYL-5013UWC/R

REV NO: 1.0

PAGE: 2/2

■ Chip and Lens Appearance

Part No	Chip	Lens Color
FYL-5013UWC/R		Water clear

■ Absolute Maximum Ratings at Ta=25°C

Parameter	Symbol	Rating	Unit
Forward Current	I_F	30	mA
Power Dissipation	P_d	120	mW
Reverse Voltage	V_R	5	V
Peak Forward Current (Duty 1/10 @1KHZ)	I_{PF}	100	mA
Operation Temperature	T_{OPR}	-40 to +80	°C
Storage Temperature	T_{STG}	-40 to +85	°C
Lead Soldering Temperature	T_{SOL}	Max.260°C for 3 sec Max. (1.60mm from the base of the epoxy bulb)	°C

■ Electronic Optical Characteristics at Ta=25°C

Items	Symbol	Min.	Typ.	Max.	Unit	Condition
Forward Voltage	V_F	-	3.20	4.00	V	$I_F=20mA$
Reverse Current	I_R	-	-	10	uA	$V_R=5V$
Dominant Wavelength	λ_D	-	-	-	nm	$I_F=20mA$
Spectrum Line Half width	$\Delta \lambda$	-	-	-	nm	$I_F=20mA$
Luminous Intensity	I_V	13000	14000	15000	mcd	$I_F=20mA$
Viewing Angle	2θ	-	20	-	degree	$I_F=20mA$