




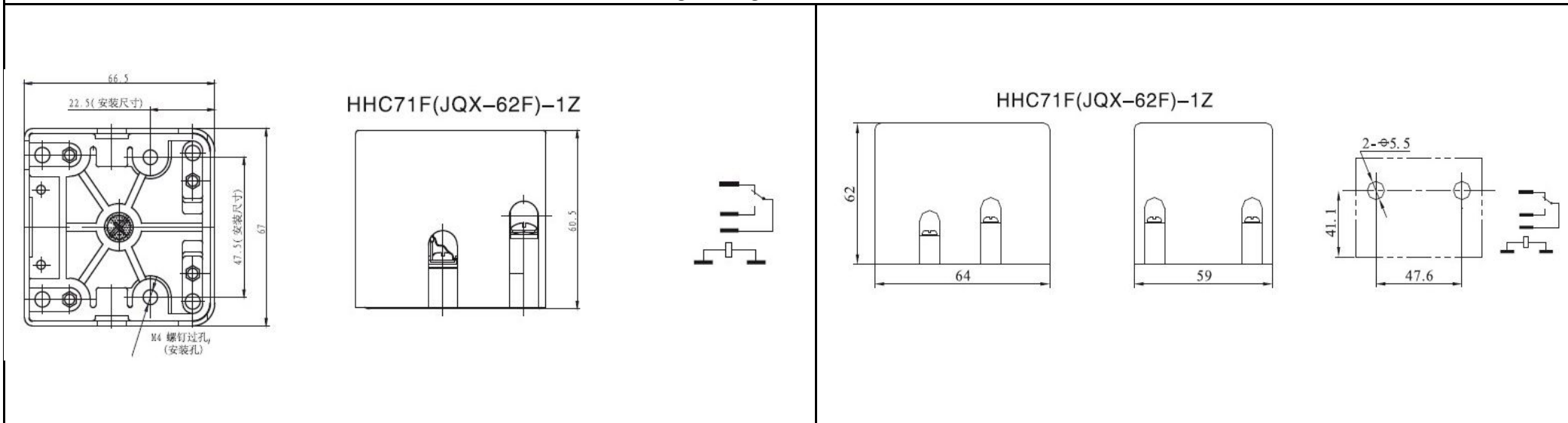
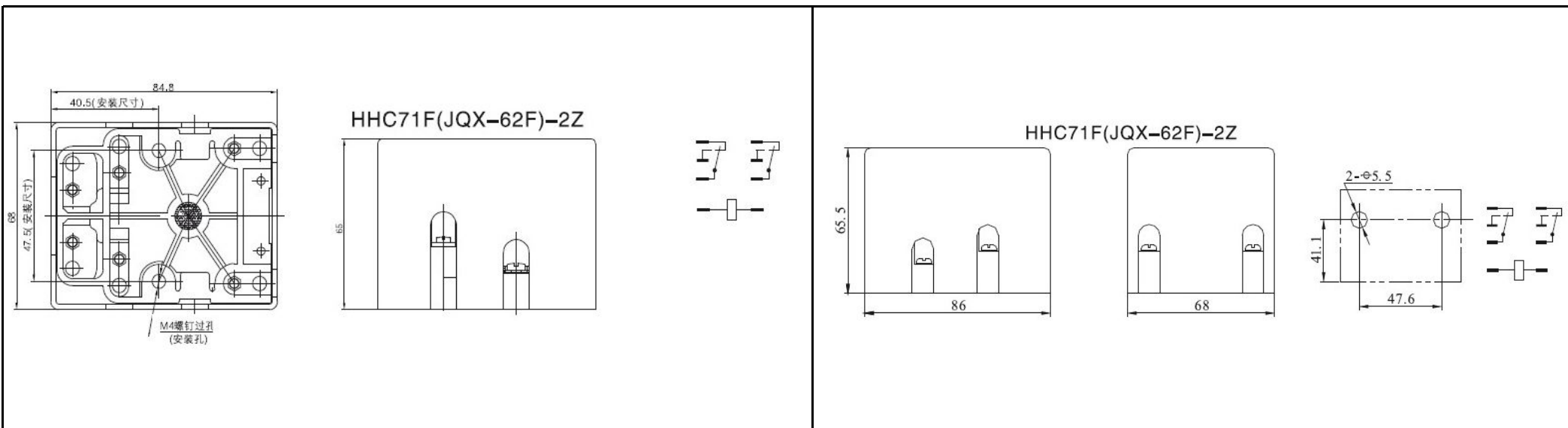


Part NO.		HHC71F (JQX-62F)			
					
Dimension		67*67*60.5	85*68*65	64*59*62	86*68*65.5
Contact Feature	Form	1A, 1B, 1C	2A, 2B, 2C	1A, 1B, 1C	2A, 2B, 2C
	Rated load	100A	80A	100A	80A
	Max switching voltage	250VAC/30VDC			
	Contact resistance	$\leq 100\text{m}\Omega$			
	Material	Silver Alloy			
	Electrical life	$\geq 1 \times 10^5$			
	Mechanical life	$\geq 1 \times 10^7$			
Operate voltage (25°C)		DC: $\leq 75\% \times \text{Rated voltage}$ AC: $\leq 80\% \times \text{Rated voltage}$			
Release voltage (25°C)		DC: $\geq 10\% \times \text{Rated voltage}$ AC: $\geq 30\% \times \text{Rated voltage}$			
Maximum voltage (25°C)		110%*Rated voltage			
Normal coil voltage	DC	6-220V			
	AC	6-380V			
Normal coil power	DC	2.0W			
	AC	10VA	17.5VA		
Pick-up time(Rated voltage)		$\leq 25\text{ms}$	$\leq 25\text{ms}$		
Release time(Rated voltage)		$\leq 15\text{ms}$	$\leq 15\text{ms}$		
Dielectric strength	Between Same-pole contacts	1500VAC/1min(leakage current 1mA)			
	Between Opposite-pole contacts	1500VAC/1min(leakage current 1mA)			
	Between contacts and coil	2500VAC/1min(leakage current 1mA)			

Insulation resistance	$\geq 500\text{m}\Omega$ (500VDC)					
Ambient temperature	$-25^{\circ}\text{C} \sim 55^{\circ}\text{C}$					
Ambient humidity	45%-75%RH					
Atmospheric pressure	86-106KPa					
Shock resistance	10G (sinusoidal half-wave pulse: 11ms)					
Vibration resistance	10-55Hz (double amplitude: 1.0mm)					
Installation	SCREW					
Packing	Inner box	Paper box (pcs)	1	1	1	1
		Foam box (pcs)	/	/	/	/
	Outer box	Paper box (pcs)	80	60	80	60
		Foam box (pcs)	/	/	/	/
	Dimension of the carton	Paper box (pcs)	370*275*330MM		370*275*330MM	
		Foam box (pcs)	/		/	
	Weight	1PC	Approximate 210g	Approximate 330g	Approximate 210g	Approximate 330g
		1CTN	G. W: 17KG N. W: 16KG	G. W: 20KG N. W: 19KG	G. W: 17KG N. W: 16KG	G. W: 20KG N. W: 19KG

Wiring Diagram&Bottom View





Performance Graph

