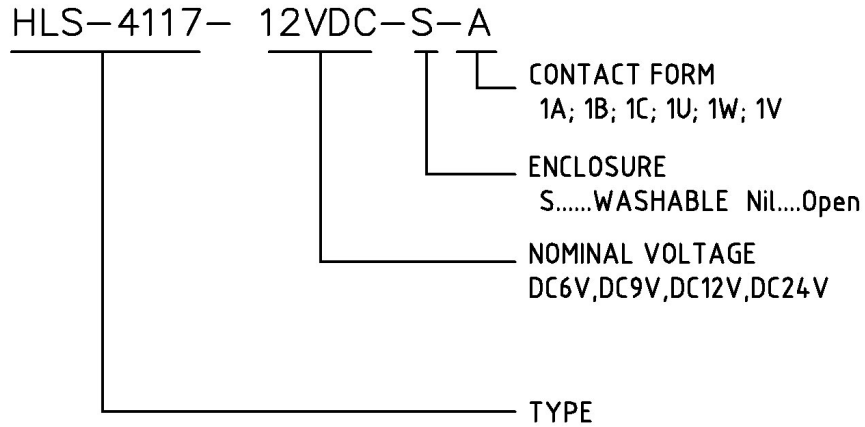


ORDERING CODE 订购代码



CONTACT DATA 触点参数:

Contact Form	触点形式	1A/1B/1C/1U/1V/1W	
Contact Material	触点材料	Ag Alloy	
Contact Ratings	触点负载	15A/14VDC	
Max Switching Voltage	最大转换电压	75VDC	
Max Switching Current	最大转换电流	20A	
Max Switching Power	最大转换功率	400W	
Initial Contact Resistance	接触电阻 (首次)	100mΩ Max	at6VDC 1A
Life Expectancy Electrical	电气寿命	100,000	Operations (rated load)
Life Expectancy Mechanical	机械寿命	10,000,000	Operations (no load)

GENERAL DATA 一般参数:

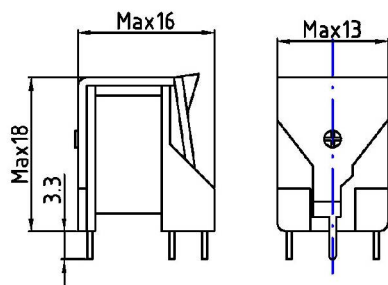
Insulation Resistance	绝缘阻值	100MΩ min at500VDC	
Dielectric Strength Between Open Contacts	触点间耐压	500VAC 50-60HZ (1minute)	
Dielectric Strength Between Contacts And Coil	触点与线圈间耐压	500VAC 50-60HZ (1 minute)	
Operate Time	吸合时间	3ms max	
Release Time	释放时间	1.5ms max	
Ambient Temperature	环境温度	-40°C to +85°C	
Shock Resistance 冲击	Malfunction	动作极限	10G
	Destruction	破坏极限	100G
Vibration Resistance	振动	20-200Hz, 1.5mm double amplitude	
Ambient humidity	湿度	40-85% RH	
Weight	重量	Approx 9g(O) 12g(S)	
Safety Standard	安全标准		

COIL DATA 线圈参数: (@20°C)

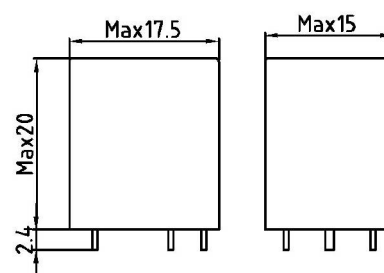
Rated Voltage 额定电压 (VDC)	Coil Resistance Ω (±10%) 线圈阻值	Max Operate Voltage 最大吸合电压 (VDC)	Min Release Voltage 最小释放电压 (VDC)	Max Applied Voltage 最大允许电压 (VDC)
	1.1W			
6	33	4.5	0.6	7.8
9	74	6.75	0.9	11.7
12	131	9	1.2	15.6
24	524	18	2.4	31.2

Outline Dimension 外形尺寸(mm)

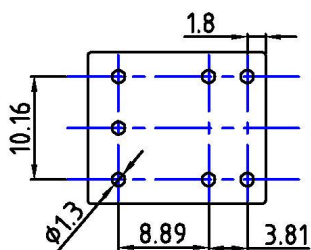
Open Type



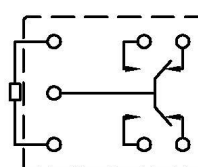
Sealed Type



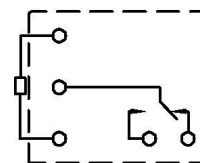
PC Board layout 安装图



Wiring Diagram 接线图



1W



1C