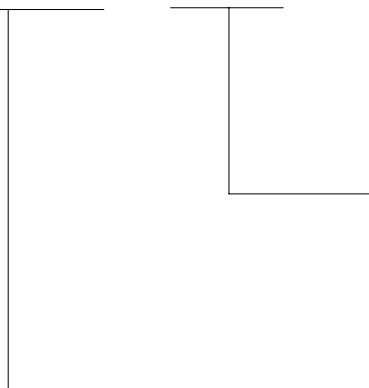




ORDERING CODE 订购代码

HLS-MK3P - DC12V



NOMINAL VOLTAGE

DC6V,DC9V,DC12V,DC24V,DC36V,DC48V,DC100V,DC110V
AC6V,AC9V,AC12V,AC24V,AC36V,AC48V,AC100VAC110V,
AC220V,AC240V

TYPE

CONTACT DATA 触点参数:

Contact Form	触点形式	3C
Contact Material	触点材料	Ag Alloy
Contact Ratings	触点负载	10A 250VAC/280VDC
Max Switching Voltage	最大转换电压	250VAC/120VDC
Max Switching Current	最大转换电流	10A
Max Switching Power	最大转换功率	2500VA/280W
Initial Contact Resistance	接触电阻 (首次)	50mΩ Max at 6VDC 1A
Life Expectancy Electrical	电气寿命	100,000 Operations (rated load)
Life Expectancy Mechanical	机械寿命	10,000,000 Operations (no load)

GENERAL DATA 一般参数:

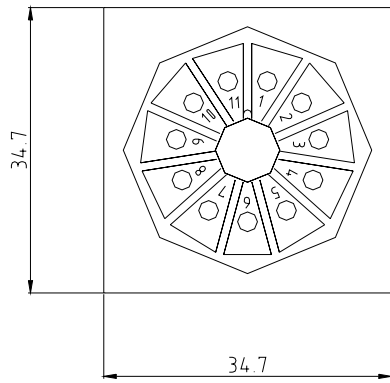
Insulation Resistance	绝缘阻值	500MΩ min at500VDC	
Dielectric Strength Between Open Contacts	触点间耐压	1500VAC 50-60HZ (1minute)	
Dielectric Strength Between Contacts And Coil	触点与线圈间耐压	1500VAC 50-60HZ (1 minute)	
Operate Time	吸合时间	30ms max	
Release Time	释放时间	20ms max	
Ambient Temperature	环境温度	-40°C to +55°C	
Shock Resistance 冲击	Malfunction	动作极限	10G
	Destruction	破坏极限	100G
Vibration Resistance	振动	10-55Hz, 1.5mm double amplitude	
Ambient humidity	湿度	35-85% RH	
Weight	重量	Approx 76g	
Safety Standard	安全标准	CQC	

COIL DATA 线圈参数: (@20°C)

Rated Voltage 额定电压 (V)	DC Coil 直流线圈			AC Coil 交流线圈		
	Coil Resistance Ω (±10%) 线圈阻值	Max Operate Voltage 最大吸合电压 (VDC)	Min Release Voltage 最小释放电压 (VDC)	Coil Resistance Ω (±10%) 线圈阻值	Max Operate Voltage 最大吸合电压 (VDC)	Min Release Voltage 最小释放电压 (VDC)

6	23.7	4.5	0.6	3.9	4.8	1.8
9	54	6.75	0.9	9	7.2	2.7
12	96	9	1.2	17	9.6	3.6
24	430	18	2.4	62.5	19.2	7.2
36	860	27	3.6	144	28.8	10.8
48	1640	36	4.8	305	38.4	14.4
110	7360	82.5	11	1250	88	33
220	29500	165	22	5170	176	66

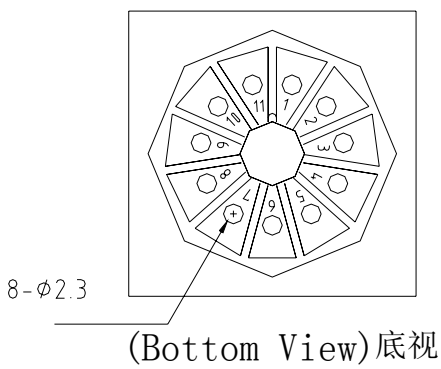
Outline Dimension 外形尺寸 (mm)



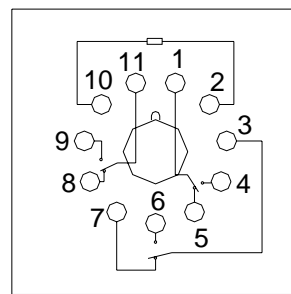
PC Board layout 安装图



Wiring Diagram 接线图



(Bottom View)底视



(Bottom View)底视