

CERAMIC TRIMMER CAPACITOR – 6MM

FEATURES

As well as applications to small sized electronic apparatus, this series is designed for easy handling and is available with a variety of adjustment method (top, bottom, side and double sides).

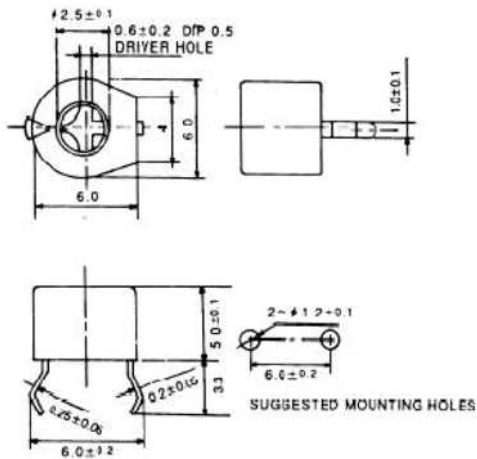
- Wide mounting sizes and types of adjustment available
- Lots of capacity ranges, 2pF through 90pF
- Sturdy mechanical structure against vibration or shock

SPECIFICATIONS

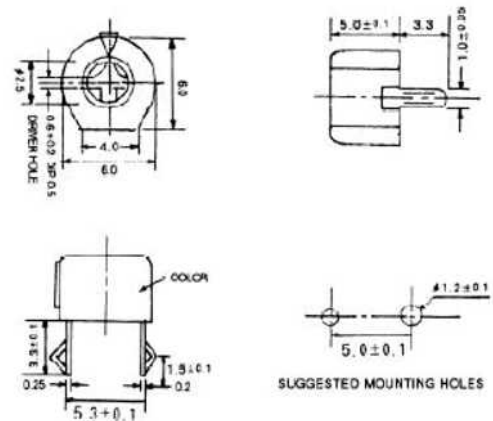
INSULATION RESISTANCE	10 MΩ at 250VDC
WITHSTAND VOLTAGE	400VDC
WORKING VOLTAGE	200VDC
ROTATION TORQUE	20 to 150 gr-cm
OPERATING TEMPERATURE	-30°C to +85°C



• FORMING TYPE

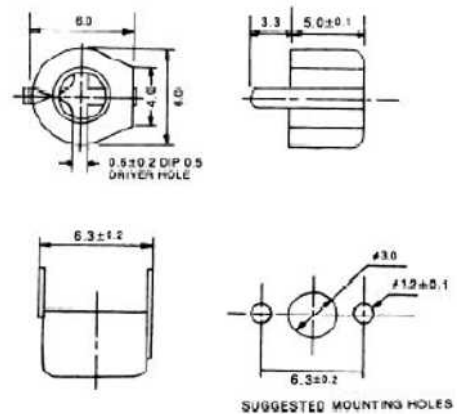


• STRAIGHT TYPE



UNIT:MM

• REARADJUSTING TYPE



PART NO.	MIN. CAP. (PF)	MAX. CAP. (PF)	TEMP. COEFF. PPM/°C	Q FACTOR @ 1MHz Cmax	COLOR
KCT6 2.0-5.0	2.0 max	5 ⁺¹⁰⁰ ₋₀ %	NPO ± 200	>500	BLUE
KCT6 3.0-10.0	3.0 max	10 ⁺¹⁰⁰ ₋₀ %	N470 ± 300	>500	WHITE
KCT6 4.2-20.0	4.2 max	20 ⁺⁵⁰ ₋₀ %	N450 ± 300	>500	RED
KCT6 6.2-30.0	6.2 max	30 ⁺⁵⁰ ₋₀ %	N750 ± 500	>500	GREEN
KCT6 6.8-40.0	6.8 max	40 ⁺⁵⁰ ₋₀ %	N1200 ± 500	>300	YELLOW
KCT6 9.8-50.0	9.8 max	50 ⁺⁵⁰ ₋₀ %	N1200 ± 500	>300	BROWN
KCT6 10.2-60.0	10.2 max	60 ⁺⁵⁰ ₋₀ %	N1200 ± 500	>200	BROWN