



Motor Poles

8: 8 Poles
 6: 6 Poles
 Blank: 4 Poles

Speed

X: Super 3: Low
 1: High 4: Extra Low
 2: Middle

Bearing System

V: Vapo
 B: Ball

Frame Thickness

E: 6mm	B: 24mm	I: 35mm
D: 8mm	T: 25mm	M: 38mm
F: 10mm	Q: 28mm	O: 40mm
G: 12mm	N: 30mm	P: 56mm
H: 15mm	L: 32mm	W: 60mm
K: 20mm	Y: 33mm	

Frame Material

P: PBT Plastic
 A: Aluminum

Frame Size

17:17mm	38:38mm	06:60mm	97:97mm
01:20mm	04:40mm	07:70mm	12:120mm
02:25mm	45:45mm	75:75mm	
03:30mm	05:50mm	08:80mm	
35:35mm	55:55mm	09:92mm	

Voltage

05:5VDC	12:12VDC
24:24VDC	48:48VDC

Fan Series

GM Series	PMD Series
GB Series	PSD Series
KD Series	PMB Series
KDE Series	

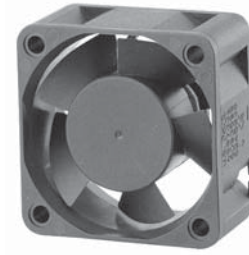
P/N


Example: PMD1206PTVX P/N:U.GN

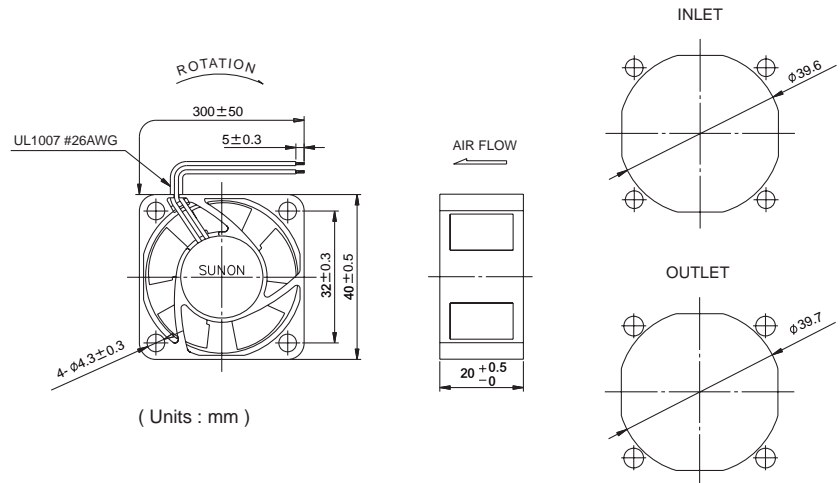
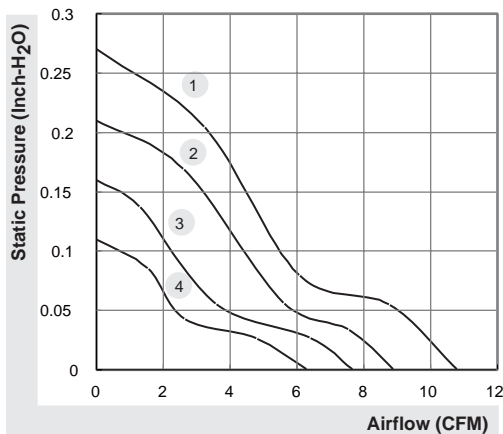
- 11/13 Motor model
- MS MagLev Design
- (2) Two ball bearing
- G Big hub
- (9) 9 Blades
- N Smaller hub
- A Auto restart
- F 3rd wire with frequency generation waveform
- R 3rd wire with rotation detector waveform
- U Upgrade
- GN RoHS compliance
- X UV Glue
- Z Specific RPM

40x40x20 mm

6.3~10.8 CFM



	P/N	Bearing	Rating Voltage (VDC)	Power Current (AMP)	Power Consumption (WATTS)	Speed (RPM)	Air Flow (CFM)	Static Pressure (Inch-H ₂ O)	Noise (dBA)	Weight (g)	Curve
KDE0504PKV1	MS.A.GN	●	5	0.19	1.1	7200	8.9	0.21	25.5	30	2
KDE0504PKV2	MS.A.GN	●	5	0.12	0.6	6200	7.7	0.16	21.0	30	3
KDE0504PKV3	MS.A.GN	●	5	0.08	0.4	5200	6.3	0.11	18.0	30	4
KDE1204PKVX	MS.A.GN	●	12	0.12	1.4	8200	10.8	0.27	27.5	31	1
KDE1204PKV1	MS.A.GN	●	12	0.07	0.8	7200	8.9	0.21	25.5	31	2
KDE1204PKV2	MS.A.GN	●	12	0.05	0.6	6200	7.7	0.16	21.0	31	3
KDE1204PKV3	MS.A.GN	●	12	0.03	0.4	5200	6.3	0.11	18.0	31	4
KDE2404PKVX	MS.A.GN	●	24	0.064	1.5	8200	10.8	0.27	27.5	31	1
KDE2404PKV1	MS.A.GN	●	24	0.05	1.2	7200	8.9	0.21	25.5	31	2
KDE2404PKV2	MS.A.GN	●	24	0.033	0.8	6200	7.7	0.16	21.0	31	3



*All model could be customized. Please contact with Sunon Sales.

*Specifications subject to change without notice. Please Visit SUNON web site at <http://www.sunon.com> for update information.