

# MC78T00 Series

## 3.0 A Positive Voltage Regulators

This family of fixed voltage regulators are monolithic integrated circuits capable of driving loads in excess of 3.0 A. These three-terminal regulators employ internal current limiting, thermal shutdown, and safe-area compensation. Devices are available with improved specifications, including a 2% output voltage tolerance, on AC-suffix 5.0 V, 12 V and 15 V device types.

Although designed primarily as a fixed voltage regulator, these devices can be used with external components to obtain adjustable voltages and currents. This series of devices can be used with a series-pass transistor to supply up to 15 A at the nominal output voltage.

- Output Current in Excess of 3.0 A
- Power Dissipation: 25 W
- No External Components Required
- Output Voltage Offered in 2% and 4% Tolerance\*
- Thermal Regulation is Specified
- Internal Thermal Overload Protection
- Internal Short Circuit Current Limiting
- Output Transistor Safe-Area Compensation
- Pb-Free Packages are Available

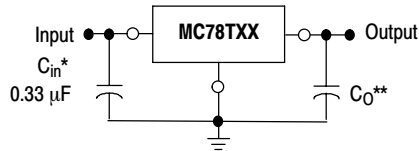


Figure 1. Simplified Application

A common ground is required between the input and the output voltages. The input voltage must remain typically 2.2 V above the output voltage even during the low point on the input ripple voltage.

XX these two digits of the type number indicate voltage.

\*  $C_{in}$  is required if regulator is located an appreciable distance from power supply filter. (See Applications Information for details.)

\*\*  $C_0$  is not needed for stability; however, it does improve transient response.

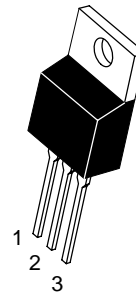


ON Semiconductor®

<http://onsemi.com>

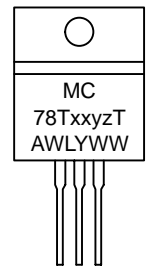
### 3 A POSITIVE FIXED VOLTAGE REGULATORS

#### MARKING DIAGRAMS

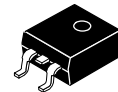


TO-220  
T SUFFIX  
CASE 221A

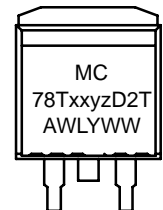
Pin 1. Input  
2. Ground\*  
3. Output



\*Heatsink surface is connected to Pin 2.



D<sup>2</sup>PAK-3  
CASE 936



MC = Specific Device Code

xx = Voltage Option

y = "A" letter for precise 2% regulators, not used for standard 4% regulators.

z = temperature range, "B" for wide temperature range, -40°C to +125°C, "C" for standard temperature range, 0°C to +125°C.

A = Assembly Location

WL = Wafer Lot

Y = Year

W = Work Week

#### ORDERING INFORMATION

See detailed ordering and shipping information in the package dimensions section on page 10 of this data sheet.

## MC78T00 Series

### MAXIMUM RATINGS ( $T_A = +25^\circ\text{C}$ , unless otherwise noted.)

Rating	Symbol	Value	Unit
Input Voltage (5.0 V – 12 V) (15 V)	$V_I$	35 40	Vdc
Power Dissipation and Thermal Characteristics Plastic Package (Note 1) $T_A = +25^\circ\text{C}$ Thermal Resistance, Junction-to-Air $T_C = +25^\circ\text{C}$ Thermal Resistance, Junction-to-Case	$P_D$ $R_{\theta JA}$ $P_D$ $R_{\theta JC}$	Internally Limited 65 Internally Limited 2.5	$^\circ\text{C/W}$  $^\circ\text{C/W}$
Storage Junction Temperature	$T_{stg}$	+150	$^\circ\text{C}$
Operating Junction Temperature Range (MC78T00C, AC)	$T_J$	0 to +125	$^\circ\text{C}$

Maximum ratings are those values beyond which device damage can occur. Maximum ratings applied to the device are individual stress limit values (not normal operating conditions) and are not valid simultaneously. If these limits are exceeded, device functional operation is not implied, damage may occur and reliability may be affected.

1. Although power dissipation is internally limited, specifications apply only for  $P_O \leq P_{max}$ ,  $P_{max} = 25\text{ W}$ .

### ELECTRICAL CHARACTERISTICS ( $V_{in} = 10\text{ V}$ , $I_O = 3.0\text{ A}$ , $0^\circ\text{C} \leq T_J \leq 125^\circ\text{C}$ , $P_O \leq P_{max}$ (Note 2), unless otherwise noted.)

Characteristics	Symbol	MC78T05AC			MC78T05C			Unit
		Min	Typ	Max	Min	Typ	Max	
Output Voltage ( $5.0\text{ mA} \leq I_O \leq 3.0\text{ A}$ , $T_J = +25^\circ\text{C}$ ) ( $5.0\text{ mA} \leq I_O \leq 3.0\text{ A}$ ; $5.0\text{ mA} \leq I_O \leq 2.0\text{ A}$ , $7.3\text{ Vdc} \leq V_{in} \leq 20\text{ Vdc}$ )	$V_O$	4.9 4.8	5.0 5.0	5.1 5.2	4.8 4.75	5.0 5.0	5.2 5.25	Vdc
Line Regulation (Note 3) ( $7.2\text{ Vdc} \leq V_{in} \leq 35\text{ Vdc}$ , $I_O = 5.0\text{ mA}$ , $T_J = +25^\circ\text{C}$ ; $7.2\text{ Vdc} \leq V_{in} \leq 35\text{ Vdc}$ , $I_O = 1.0\text{ A}$ , $T_J = +25^\circ\text{C}$ ; $8.0\text{ Vdc} \leq V_{in} \leq 12\text{ Vdc}$ , $I_O = 3.0\text{ A}$ , $T_J = +25^\circ\text{C}$ ; $7.5\text{ Vdc} \leq V_{in} \leq 20\text{ Vdc}$ , $I_O = 1.0\text{ A}$ )	$Reg_{line}$	–	3.0	25	–	3.0	25	mV
Load Regulation (Note 3) ( $5.0\text{ mA} \leq I_O \leq 3.0\text{ A}$ , $T_J = +25^\circ\text{C}$ ) ( $5.0\text{ mA} \leq I_O \leq 3.0\text{ A}$ )	$Reg_{load}$	– –	10 15	30 80	– –	10 15	30 80	mV
Thermal Regulation (Pulse = 10 ms, $P = 20\text{ W}$ , $T_A = +25^\circ\text{C}$ )	$Reg_{therm}$	–	0.001	0.01	–	0.002	0.03	$\%V_O/W$
Quiescent Current ( $5.0\text{ mA} \leq I_O \leq 3.0\text{ A}$ , $T_J = +25^\circ\text{C}$ ) ( $5.0\text{ mA} \leq I_O \leq 3.0\text{ A}$ )	$I_B$	– –	3.5 4.0	5.0 6.0	– –	3.5 4.0	5.0 6.0	mA
Quiescent Current Change ( $7.2\text{ Vdc} \leq V_{in} \leq 35\text{ Vdc}$ , $I_O = 5.0\text{ mA}$ , $T_J = +25^\circ\text{C}$ ; $5.0\text{ mA} \leq I_O \leq 3.0\text{ A}$ , $T_J = +25^\circ\text{C}$ ; $7.5\text{ Vdc} \leq V_{in} \leq 20\text{ Vdc}$ , $I_O = 1.0\text{ A}$ )	$\Delta I_B$	–	0.3	1.0	–	0.3	1.0	mA
Ripple Rejection ( $8.0\text{ Vdc} \leq V_{in} \leq 18\text{ Vdc}$ , $f = 120\text{ Hz}$ , $I_O = 2.0\text{ A}$ , $T_J = 25^\circ\text{C}$ )	RR	62	75	–	62	75	–	dB
Dropout Voltage ( $I_O = 3.0\text{ A}$ , $T_J = +25^\circ\text{C}$ )	$V_{in}-V_O$	–	2.2	2.5	–	2.2	2.5	Vdc
Output Noise Voltage ( $10\text{ Hz} \leq f \leq 100\text{ kHz}$ , $T_J = +25^\circ\text{C}$ )	$V_n$	–	10	–	–	10	–	$\mu\text{V}/V_O$
Output Resistance ( $f = 1.0\text{ kHz}$ )	$R_O$	–	2.0	–	–	20	–	$\text{m}\Omega$

2. Although power dissipation is internally limited, specifications apply only for  $P_O \leq P_{max}$ ,  $P_{max} = 25\text{ W}$ .

3. Line and load regulation are specified at constant junction temperature. Changes in  $V_O$  due to heating effects must be taken into account separately.

Pulse testing with low duty cycle is used.

## MC78T00 Series

**ELECTRICAL CHARACTERISTICS** ( $V_{in} = 10\text{ V}$ ,  $I_O = 3.0\text{ A}$ ,  $0^\circ\text{C} \leq T_J \leq 125^\circ\text{C}$ ,  $P_O \leq P_{max}$  (Note 2), unless otherwise noted.)

Characteristics	Symbol	MC78T05AC			MC78T05C			Unit
		Min	Typ	Max	Min	Typ	Max	
Short Circuit Current Limit ( $V_{in} = 35\text{ Vdc}$ , $T_J = +25^\circ\text{C}$ )	$I_{SC}$	–	1.5	–	–	1.5	–	A
Peak Output Current ( $T_J = +25^\circ\text{C}$ )	$I_{max}$	–	5.0	–	–	5.0	–	A
Average Temperature Coefficient of Output Voltage ( $I_O = 5.0\text{ mA}$ )	$TCV_O$	–	0.2	–	–	0.2	–	mV/°C

2. Although power dissipation is internally limited, specifications apply only for  $P_O \leq P_{max}$ ,  $P_{max} = 25\text{ W}$ .
3. Line and load regulation are specified at constant junction temperature. Changes in  $V_O$  due to heating effects must be taken into account separately.  
Pulse testing with low duty cycle is used.

**ELECTRICAL CHARACTERISTICS** ( $V_{in} = 13\text{ V}$ ,  $I_O = 3.0\text{ A}$ ,  $0^\circ\text{C} \leq T_J \leq 125^\circ\text{C}$ ,  $P_O \leq P_{max}$  (Note 4), unless otherwise noted.)

Characteristics	Symbol	MC78T08C			Unit
		Min	Typ	Max	
Output Voltage ( $5.0\text{ mA} \leq I_O \leq 3.0\text{ A}$ , $T_J = +25^\circ\text{C}$ ) ( $5.0\text{ mA} \leq I_O \leq 3.0\text{ A}$ ; $5.0\text{ mA} \leq I_O \leq 2.0\text{ A}$ , $10.4\text{ Vdc} \leq V_{in} \leq 23\text{ Vdc}$ )	$V_O$	7.7 7.6	8.0 8.0	8.3 8.4	Vdc
Line Regulation (Note 5) ( $10.3\text{ Vdc} \leq V_{in} \leq 35\text{ Vdc}$ , $I_O = 5.0\text{ mA}$ , $T_J = +25^\circ\text{C}$ ) ( $10.3\text{ Vdc} \leq V_{in} \leq 35\text{ Vdc}$ , $I_O = 1.0\text{ A}$ , $T_J = +25^\circ\text{C}$ ) ( $11\text{ Vdc} \leq V_{in} \leq 17\text{ Vdc}$ , $I_O = 3.0\text{ A}$ , $T_J = +25^\circ\text{C}$ ) ( $10.7\text{ Vdc} \leq V_{in} \leq 23\text{ Vdc}$ , $I_O = 1.0\text{ A}$ )	$Reg_{line}$	–	4.0	35	mV
Load Regulation (Note 5) ( $5.0\text{ mA} \leq I_O \leq 3.0\text{ A}$ , $T_J = +25^\circ\text{C}$ ) ( $5.0\text{ mA} \leq I_O \leq 3.0\text{ A}$ )	$Reg_{load}$	– –	10 15	30 80	mV
Thermal Regulation (Pulse = 10 ms, P = 20 W, $T_A = +25^\circ\text{C}$ )	$Reg_{therm}$	–	0.002	0.03	% $V_O$ /W
Quiescent Current ( $5.0\text{ mA} \leq I_O \leq 3.0\text{ A}$ , $T_J = +25^\circ\text{C}$ ) ( $5.0\text{ mA} \leq I_O \leq 3.0\text{ A}$ )	$I_B$	– –	3.5 4.0	5.0 6.0	mA
Quiescent Current Change ( $10.3\text{ Vdc} \leq V_{in} \leq 35\text{ Vdc}$ , $I_O = 5.0\text{ mA}$ , $T_J = +25^\circ\text{C}$ ; $5.0\text{ mA} \leq I_O \leq 3.0\text{ A}$ , $T_J = +25^\circ\text{C}$ ; $10.7\text{ Vdc} \leq V_{in} \leq 23\text{ Vdc}$ , $I_O = 1.0\text{ A}$ )	$\Delta I_B$	–	0.3	1.0	mA
Ripple Rejection ( $11\text{ Vdc} \leq V_{in} \leq 21\text{ Vdc}$ , $f = 120\text{ Hz}$ , $I_O = 2.0\text{ A}$ , $T_J = 25^\circ\text{C}$ )	RR	60	71	–	dB
Dropout Voltage ( $I_O = 3.0\text{ A}$ , $T_J = +25^\circ\text{C}$ )	$V_{in}-V_O$	–	2.2	2.5	Vdc
Output Noise Voltage ( $10\text{ Hz} \leq f \leq 100\text{ kHz}$ , $T_J = +25^\circ\text{C}$ )	$V_n$	–	10	–	$\mu\text{V}/V_O$
Output Resistance ( $f = 1.0\text{ kHz}$ )	$R_O$	–	2.0	–	$\text{m}\Omega$
Short Circuit Current Limit ( $V_{in} = 35\text{ Vdc}$ , $T_J = +25^\circ\text{C}$ )	$I_{SC}$	–	1.5	–	A
Peak Output Current ( $T_J = +25^\circ\text{C}$ )	$I_{max}$	–	5.0	–	A
Average Temperature Coefficient of Output Voltage ( $I_O = 5.0\text{ mA}$ )	$TCV_O$	–	0.3	–	mV/°C

4. Although power dissipation is internally limited, specifications apply only for  $P_O \leq P_{max}$ ,  $P_{max} = 25\text{ W}$ .
5. Line and load regulation are specified at constant junction temperature. Changes in  $V_O$  due to heating effects must be taken into account separately.  
Pulse testing with low duty cycle is used.

## MC78T00 Series

**ELECTRICAL CHARACTERISTICS** ( $V_{in} = 17\text{ V}$ ,  $I_O = 3.0\text{ A}$ ,  $0^\circ\text{C} \leq T_J \leq 125^\circ\text{C}$ ,  $P_O \leq P_{max}$  (Note 6), unless otherwise noted.)

Characteristics	Symbol	MC78T12AC			MC78T12C			Unit
		Min	Typ	Max	Min	Typ	Max	
Output Voltage ( $5.0\text{ mA} \leq I_O \leq 3.0\text{ A}$ , $T_J = +25^\circ\text{C}$ ) ( $5.0\text{ mA} \leq I_O \leq 3.0\text{ A}$ , $5.0\text{ mA} \leq I_O \leq 2.0\text{ A}$ , $14.5\text{ Vdc} \leq V_{in} \leq 27\text{ Vdc}$ )	$V_O$	11.75 11.5	12 12	12.25 12.5	11.5 11.4	12 12	12.5 12.6	Vdc
Line Regulation (Note 7) ( $14.5\text{ Vdc} \leq V_{in} \leq 35\text{ Vdc}$ , $I_O = 5.0\text{ mA}$ , $T_J = +25^\circ\text{C}$ ; $14.5\text{ Vdc} \leq V_{in} \leq 35\text{ Vdc}$ , $I_O = 1.0\text{ A}$ , $T_J = +25^\circ\text{C}$ ; $16\text{ Vdc} \leq V_{in} \leq 22\text{ Vdc}$ , $I_O = 3.0\text{ A}$ , $T_J = +25^\circ\text{C}$ ; $14.9\text{ Vdc} \leq V_{in} \leq 27\text{ Vdc}$ , $I_O = 1.0\text{ A}$ )	$Reg_{line}$	–	6.0	45	–	6.0	45	mV
Load Regulation (Note 7) ( $5.0\text{ mA} \leq I_O \leq 3.0\text{ A}$ , $T_J = +25^\circ\text{C}$ ) ( $5.0\text{ mA} \leq I_O \leq 3.0\text{ A}$ )	$Reg_{load}$	– –	10 15	30 80	– –	10 15	30 80	mV
Thermal Regulation (Pulse = 10 ms, $P = 20\text{ W}$ , $T_A = +25^\circ\text{C}$ )	$Reg_{therm}$	–	0.001	0.01	–	0.002	0.03	% $V_O/W$
Quiescent Current ( $5.0\text{ mA} \leq I_O \leq 3.0\text{ A}$ , $T_J = +25^\circ\text{C}$ ) ( $5.0\text{ mA} \leq I_O \leq 3.0\text{ A}$ )	$I_B$	– –	3.5 4.0	5.0 6.0	– –	3.5 4.0	5.0 6.0	mA
Quiescent Current Change ( $14.5\text{ Vdc} \leq V_{in} \leq 35\text{ Vdc}$ , $I_O = 5.0\text{ mA}$ , $T_J = +25^\circ\text{C}$ ; $5.0\text{ mA} \leq I_O \leq 3.0\text{ A}$ , $T_J = +25^\circ\text{C}$ ; $14.9\text{ Vdc} \leq V_{in} \leq 27\text{ Vdc}$ , $I_O = 1.0\text{ A}$ )	$\Delta I_B$	–	0.3	1.0	–	0.3	1.0	mA
Ripple Rejection ( $15\text{ Vdc} \leq V_{in} \leq 25\text{ Vdc}$ , $f = 120\text{ Hz}$ , $I_O = 2.0\text{ A}$ , $T_J = 25^\circ\text{C}$ )	RR	57	67	–	57	67	–	dB
Dropout Voltage ( $I_O = 3.0\text{ A}$ , $T_J = +25^\circ\text{C}$ )	$V_{in} - V_O$	–	2.2	2.5	–	2.2	2.5	Vdc
Output Noise Voltage ( $10\text{ Hz} \leq f \leq 100\text{ kHz}$ , $T_J = +25^\circ\text{C}$ )	$V_n$	–	10	–	–	10	–	$\mu\text{V}/V_O$
Output Resistance ( $f = 1.0\text{ kHz}$ )	$R_O$	–	2.0	–	–	20	–	$\text{m}\Omega$
Short Circuit Current Limit ( $V_{in} = 35\text{ Vdc}$ , $T_J = +25^\circ\text{C}$ )	$I_{SC}$	–	1.5	–	–	1.5	–	A
Peak Output Current ( $T_J = +25^\circ\text{C}$ )	$I_{max}$	–	5.0	–	–	5.0	–	A
Average Temperature Coefficient of Output Voltage ( $I_O = 5.0\text{ mA}$ )	$TCV_O$	–	0.5	–	–	0.5	–	$\text{mV}/^\circ\text{C}$

6. Although power dissipation is internally limited, specifications apply only for  $P_O \leq P_{max}$ ,  $P_{max} = 25\text{ W}$ .

7. Line and load regulation are specified at constant junction temperature. Changes in  $V_O$  due to heating effects must be taken into account separately.

Pulse testing with low duty cycle is used.

## MC78T00 Series

**ELECTRICAL CHARACTERISTICS** ( $V_{in} = 20\text{ V}$ ,  $I_O = 3.0\text{ A}$ ,  $0^\circ\text{C} \leq T_J \leq 125^\circ\text{C}$ ,  $P_O \leq P_{max}$  (Note 8), unless otherwise noted.)

Characteristics	Symbol	MC78T15AC			MC78T15C			Unit
		Min	Typ	Max	Min	Typ	Max	
Output Voltage ( $5.0\text{ mA} \leq I_O \leq 3.0\text{ A}$ , $T_J = +25^\circ\text{C}$ ) ( $5.0\text{ mA} \leq I_O \leq 3.0\text{ A}$ ; $5.0\text{ mA} \leq I_O \leq 2.0\text{ A}$ , $17.5\text{ Vdc} \leq V_{in} \leq 30\text{ Vdc}$ )	$V_O$	14.7 14.4	15 15	15.3 15.6	14.4 14.25	15 15	15.6 15.75	Vdc
Line Regulation (Note 9) ( $17.6\text{ Vdc} \leq V_{in} \leq 40\text{ Vdc}$ , $I_O = 5.0\text{ mA}$ , $T_J = +25^\circ\text{C}$ ; $17.6\text{ Vdc} \leq V_{in} \leq 40\text{ Vdc}$ , $I_O = 1.0\text{ A}$ , $T_J = +25^\circ\text{C}$ ; $20\text{ Vdc} \leq V_{in} \leq 26\text{ Vdc}$ , $I_O = 3.0\text{ A}$ , $T_J = +25^\circ\text{C}$ ; $18\text{ Vdc} \leq V_{in} \leq 30\text{ Vdc}$ , $I_O = 1.0\text{ A}$ )	$Reg_{line}$	–	7.5	55	–	7.5	55	mV
Load Regulation (Note 9) ( $5.0\text{ mA} \leq I_O \leq 3.0\text{ A}$ , $T_J = +25^\circ\text{C}$ ) ( $5.0\text{ mA} \leq I_O \leq 3.0\text{ A}$ )	$Reg_{load}$	– –	10 15	30 80	– –	10 15	30 80	mV
Thermal Regulation (Pulse = 10 ms, $P = 20\text{ W}$ , $T_A = +25^\circ\text{C}$ )	$Reg_{therm}$	–	0.001	0.01	–	0.002	0.03	% $V_O/W$
Quiescent Current ( $5.0\text{ mA} \leq I_O \leq 3.0\text{ A}$ , $T_J = +25^\circ\text{C}$ ) ( $5.0\text{ mA} \leq I_O \leq 3.0\text{ A}$ )	$I_B$	– –	3.5 4.0	5.0 6.0	– –	3.5 4.0	5.0 6.0	mA
Quiescent Current Change ( $17.6\text{ Vdc} \leq V_{in} \leq 40\text{ Vdc}$ , $I_O = 5.0\text{ mA}$ , $T_J = +25^\circ\text{C}$ ; $5.0\text{ mA} \leq I_O \leq 3.0\text{ A}$ , $T_J = +25^\circ\text{C}$ ; $18\text{ Vdc} \leq V_{in} \leq 30\text{ Vdc}$ , $I_O = 1.0\text{ A}$ )	$\Delta I_B$	–	0.3	1.0	–	0.3	1.0	mA
Ripple Rejection ( $18.5\text{ Vdc} \leq V_{in} \leq 28.5\text{ Vdc}$ , $f = 120\text{ Hz}$ , $I_O = 2.0\text{ A}$ , $T_J = 25^\circ\text{C}$ )	RR	55	65	–	55	65	–	dB
Dropout Voltage ( $I_O = 3.0\text{ A}$ , $T_J = +25^\circ\text{C}$ )	$V_{in}-V_O$	–	2.2	2.5	–	2.2	2.5	Vdc
Output Noise Voltage ( $10\text{ Hz} \leq f \leq 100\text{ kHz}$ , $T_J = +25^\circ\text{C}$ )	$V_n$	–	10	–	–	10	–	$\mu\text{V}/V_O$
Output Resistance ( $f = 1.0\text{ kHz}$ )	$R_O$	–	2.0	–	–	20	–	$\text{m}\Omega$
Short Circuit Current Limit ( $V_{in} = 40\text{ Vdc}$ , $T_J = +25^\circ\text{C}$ )	$I_{SC}$	–	1.0	–	–	1.0	–	A
Peak Output Current ( $T_J = +25^\circ\text{C}$ )	$I_{max}$	–	5.0	–	–	5.0	–	A
Average Temperature Coefficient of Output Voltage ( $I_O = 5.0\text{ mA}$ )	$TCV_O$	–	0.6	–	–	0.6	–	$\text{mV}/^\circ\text{C}$

8. Although power dissipation is internally limited, specifications apply only for  $P_O \leq P_{max}$ ,  $P_{max} = 25\text{ W}$ .

9. Line and load regulation are specified at constant junction temperature. Changes in  $V_O$  due to heating effects must be taken into account separately.

Pulse testing with low duty cycle is used.



# MC78T00 Series

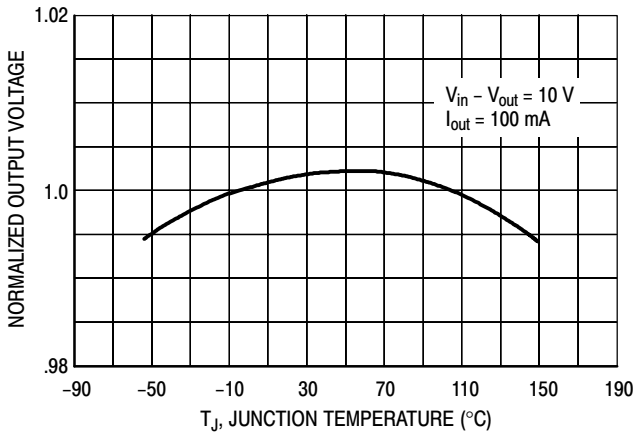


Figure 4. Temperature Stability

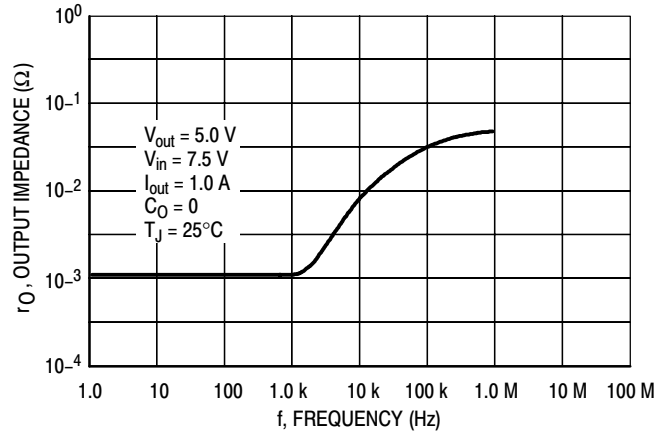


Figure 5. Output Impedance

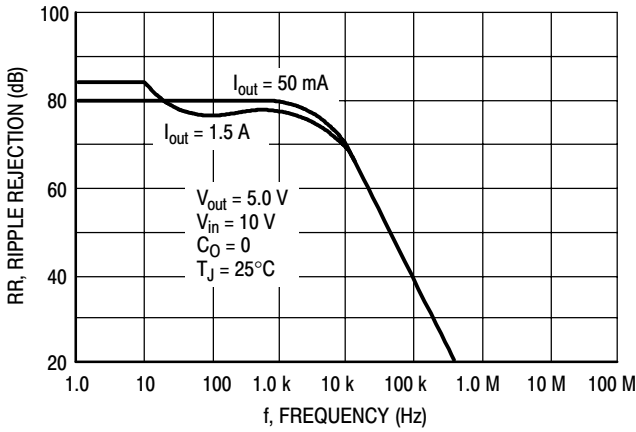


Figure 6. Ripple Rejection versus Frequency

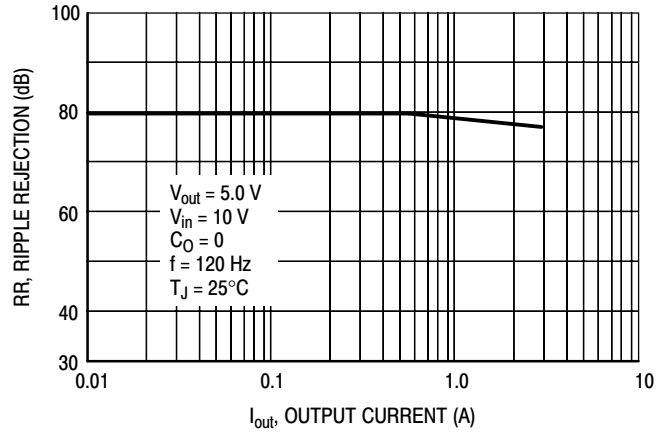


Figure 7. Ripple Rejection versus Output Current

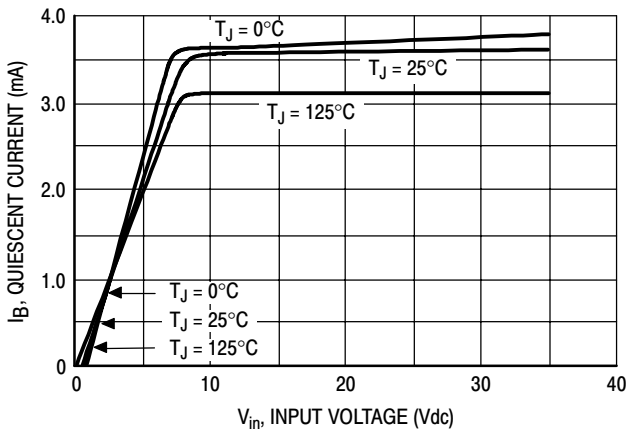


Figure 8. Quiescent Current versus Input Voltage

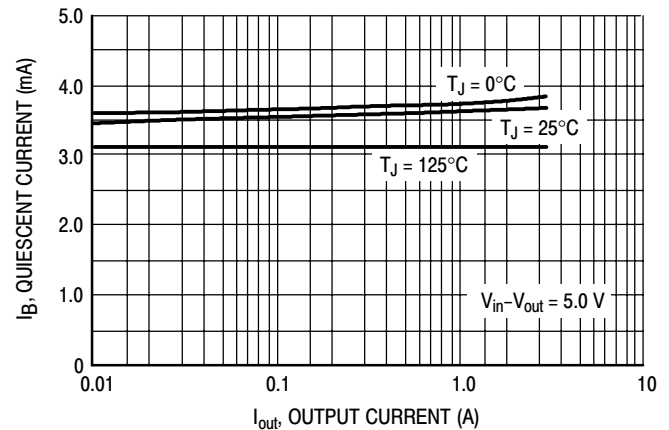


Figure 9. Quiescent Current versus Output Current

# MC78T00 Series

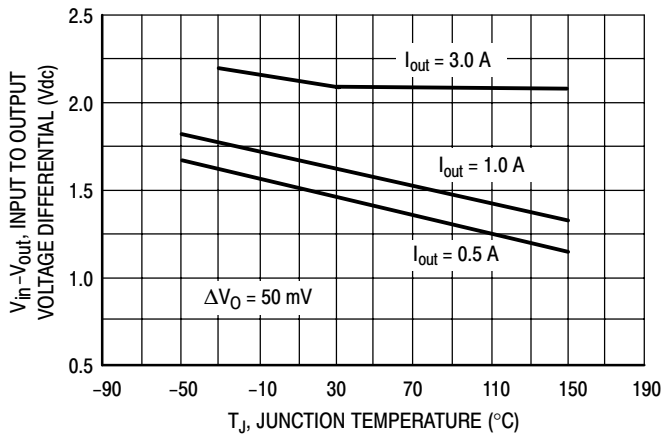


Figure 10. Dropout Voltage

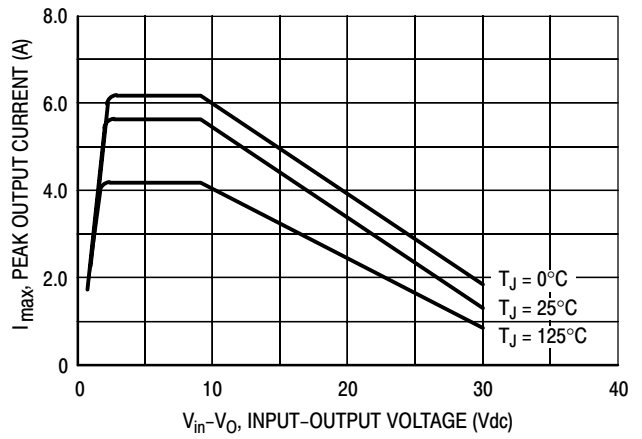


Figure 11. Peak Output Current

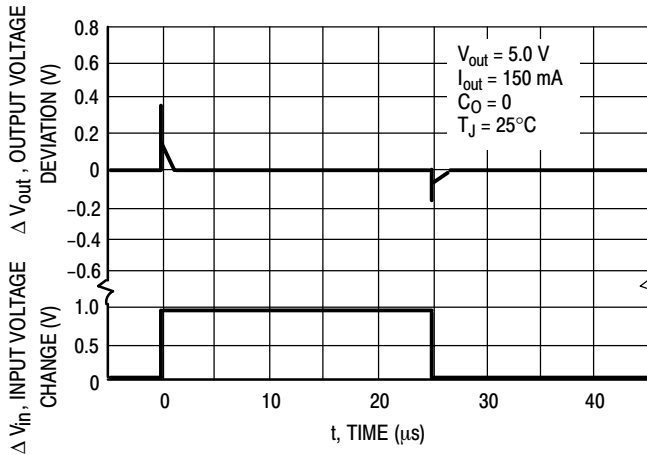


Figure 12. Line Transient Response

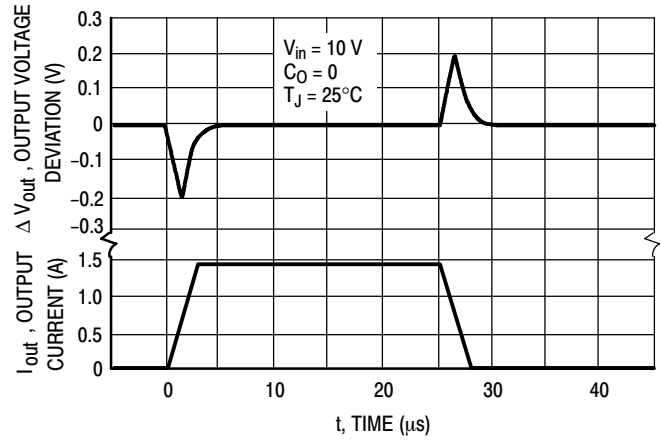


Figure 13. Load Transient Response

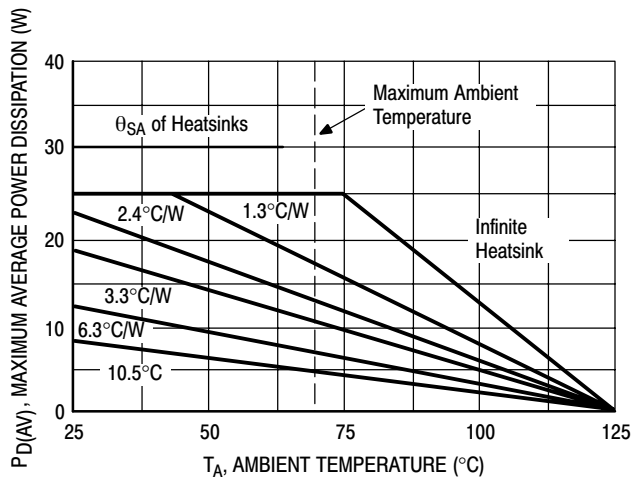


Figure 14. Maximum Average Power Dissipation for MC78T00CT, ACT



# MC78T00 Series

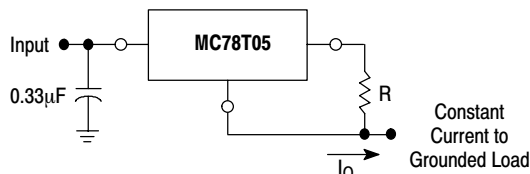
## APPLICATIONS INFORMATION

### Design Considerations

The MC78T00 Series of fixed voltage regulators are designed with Thermal Overload Protection that shuts down the circuit when subjected to an excessive power overload condition, Internal Short Circuit Protection that limits the maximum current the circuit will pass, and Output Transistor Safe-Area Compensation that reduces the output short circuit current as the voltage across the pass transistor is increased.

In many low current applications, compensation capacitors are not required. However, it is recommended that the regulator input be bypassed with a capacitor if the

regulator is connected to the power supply filter with long wire lengths, or if the output load capacitance is large. An input bypass capacitor should be selected to provide good high frequency characteristics to insure stable operation under all load conditions. A 0.33  $\mu\text{F}$  or larger tantalum, mylar, or other capacitor having low internal impedance at high frequencies should be chosen. The bypass capacitor should be mounted with the shortest possible leads directly across the regulator's input terminals. Normally good construction techniques should be used to minimize ground loops and lead resistance drops since the regulator has no external sense lead.



The MC78T05 regulator can also be used as a current source when connected as above. In order to minimize dissipation the MC78T05 is chosen in this application. Resistor R determines the current as follows:

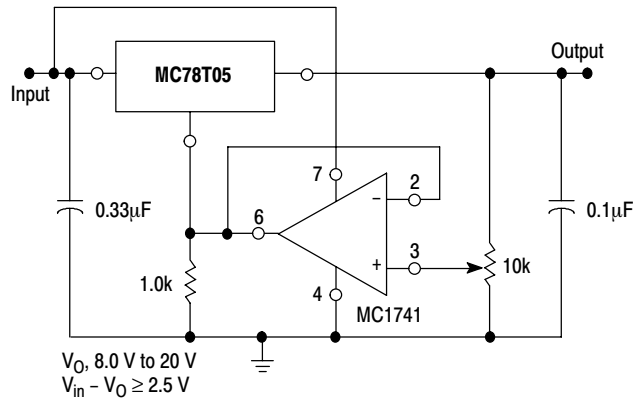
$$I_O = \frac{5.0 \text{ V}}{R} + I_B$$

$\Delta I_B \approx 0.7 \text{ mA}$  over line, load and Temperature changes

$I_B \approx 3.5 \text{ mA}$

For example, a 2.0 A current source would require R to be a 2.5  $\Omega$ , 10 W resistor and the output voltage compliance would be the input voltage less 7.0 V.

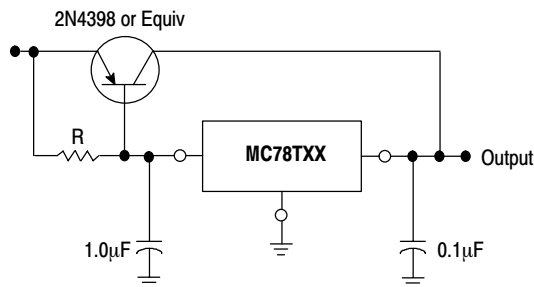
Figure 15. Current Regulator



$V_O, 8.0 \text{ V to } 20 \text{ V}$   
 $V_{in} - V_O \geq 2.5 \text{ V}$

The addition of an operational amplifier allows adjustment to higher or intermediate values while retaining regulation characteristics. The minimum voltage obtainable with this arrangement is 3.0 V greater than the regulator voltage.

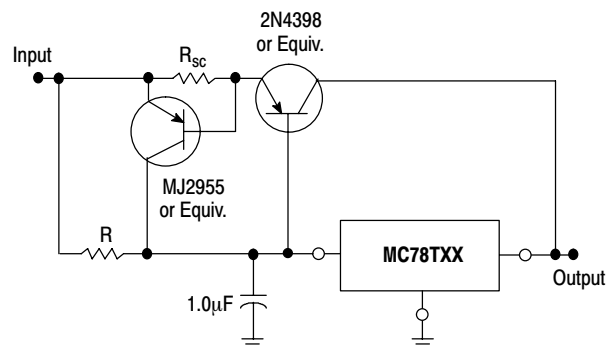
Figure 16. Adjustable Output Regulator



XX = 2 digits of type number indicating voltage.

The MC78T00 series can be current boosted with a PNP transistor. The 2N4398 provides current to 15 A. Resistor R in conjunction with the  $V_{BE}$  of the PNP determines when the pass transistor begins conducting; this circuit is not short circuit proof. Input-output differential voltage minimum is increased by the  $V_{BE}$  of the pass transistor.

Figure 17. Current Boost Regulator



XX = 2 digits of type number indicating voltage.

The circuit of Figure 17 can be modified to provide supply protection against short circuits by adding a short circuit sense resistor,  $R_{SC}$ , and an additional PNP transistor. The current sensing PNP must be able to handle the short circuit current of the three-terminal regulator. Therefore, an eight-ampere power transistor is specified.

Figure 18. Current Boost With Short Circuit Protection

## MC78T00 Series

### ORDERING INFORMATION

Device	V <sub>O</sub> Tol.	Nominal Output Voltage	Operating Temperature Range	Package	Shipping <sup>†</sup>
MC78T05ABT	2%*	5.0 V	T <sub>J</sub> = -40°C TO +125°C	TO-220	50 Units / Rail
MC78T05ACT	2%*		T <sub>J</sub> = 0°C TO +125°C	TO-220	50 Units / Rail
MC78T05ACTG	2%*		T <sub>J</sub> = 0°C TO +125°C	TO-220 (Pb-Free)	50 Units / Rail
MC78T05BT	4%		T <sub>J</sub> = -40°C TO +125°C	TO-220	50 Units / Rail
MC78T05BTG	4%		T <sub>J</sub> = -40°C TO +125°C	TO-220 (Pb-Free)	50 Units / Tubes
MC78T05CD2T	4%		T <sub>J</sub> = 0°C TO +125°C	D <sup>2</sup> PAK-3	50 Units / Rail
MC78T05CD2TR4	4%		T <sub>J</sub> = 0°C TO +125°C	D <sup>2</sup> PAK-3	800 / Tape & Reel
MC78T05CT	4%		T <sub>J</sub> = 0°C TO +125°C	TO-220	50 Units / Rail
MC78T05CTG	4%		T <sub>J</sub> = 0°C TO +125°C	TO-220 (Pb-Free)	50 Units / Rail
MC78T08CT	4%	8.0 V	T <sub>J</sub> = 0°C TO +125°C	TO-220	50 Units / Rail
MC78T12ACT	2%*	12 V	T <sub>J</sub> = 0°C TO +125°C	TO-220	50 Units / Rail
MC78T12BT	4%		T <sub>J</sub> = -40°C TO +125°C	TO-220	50 Units / Rail
MC78T12CT	4%		T <sub>J</sub> = 0°C TO +125°C	TO-220	50 Units / Rail
MC78T15ABT	2%*	15 V	T <sub>J</sub> = -40°C TO +125°C	TO-220	50 Units / Rail
MC78T15ACT	2%*		T <sub>J</sub> = 0°C TO +125°C	TO-220	50 Units / Rail
MC78T15CT	4%		T <sub>J</sub> = 0°C TO +125°C	TO-220	50 Units / Rail

NOTE: Automotive temperature range selections are available with special test conditions and additional tests. Contact your local ON Semiconductor sales office for information.

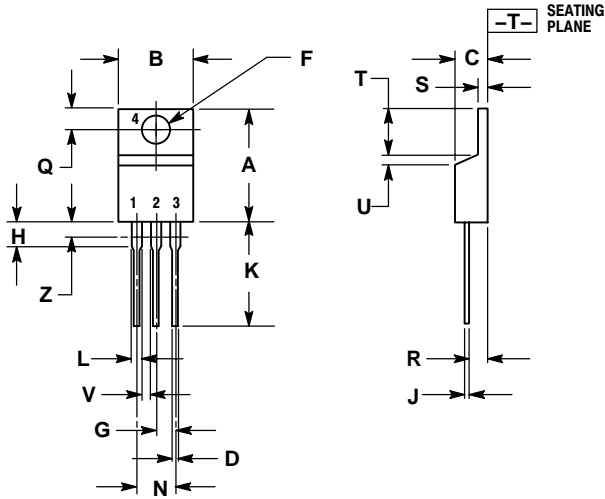
†For information on tape and reel specifications, including part orientation and tape sizes, please refer to our Tape and Reel Packaging Specifications Brochure, BRD8011/D.

\*2% regulators available in 5.0 V, 12 V and 15 V devices.

# MC78T00 Series

## PACKAGE DIMENSIONS

TO-220  
T SUFFIX  
CASE 221A-09  
ISSUE AA



NOTES:

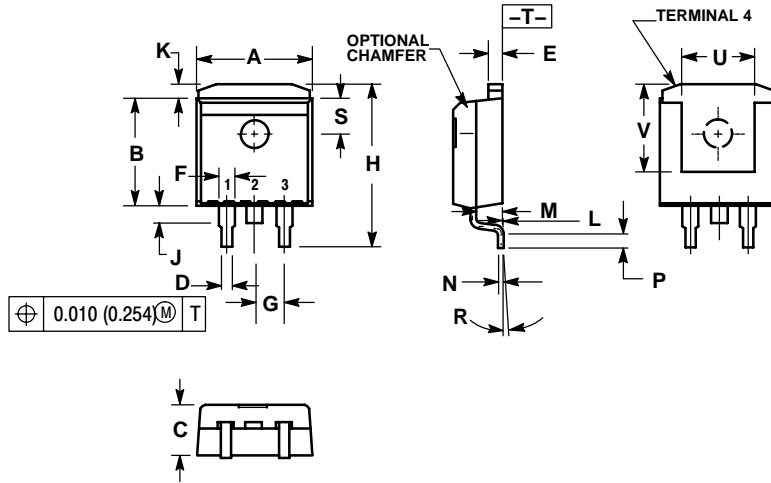
1. DIMENSIONING AND TOLERANCING PER ANSI Y14.5M, 1982.
2. CONTROLLING DIMENSION: INCH.
3. DIMENSION Z DEFINES A ZONE WHERE ALL BODY AND LEAD IRREGULARITIES ARE ALLOWED.

DIM	INCHES		MILLIMETERS	
	MIN	MAX	MIN	MAX
A	0.570	0.620	14.48	15.75
B	0.380	0.405	9.66	10.28
C	0.160	0.190	4.07	4.82
D	0.025	0.035	0.64	0.88
F	0.142	0.147	3.61	3.73
G	0.095	0.105	2.42	2.66
H	0.110	0.155	2.80	3.93
J	0.018	0.025	0.46	0.64
K	0.500	0.562	12.70	14.27
L	0.045	0.060	1.15	1.52
N	0.190	0.210	4.83	5.33
Q	0.100	0.120	2.54	3.04
R	0.080	0.110	2.04	2.79
S	0.045	0.055	1.15	1.39
T	0.235	0.255	5.97	6.47
U	0.000	0.050	0.00	1.27
V	0.045	---	1.15	---
Z	---	0.080	---	2.04

# MC78T00 Series

## PACKAGE DIMENSIONS

### D<sup>2</sup>PAK-3 CASE 936-03 ISSUE B

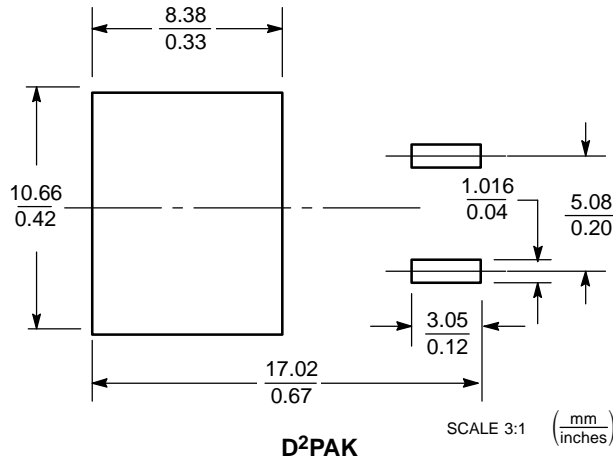


**NOTES:**

1. DIMENSIONING AND TOLERANCING PER ANSI Y14.5M, 1982.
2. CONTROLLING DIMENSION: INCH.
3. TAB CONTOUR OPTIONAL WITHIN DIMENSIONS A AND K.
4. DIMENSIONS U AND V ESTABLISH A MINIMUM MOUNTING SURFACE FOR TERMINAL 4.
5. DIMENSIONS A AND B DO NOT INCLUDE MOLD FLASH OR GATE PROTRUSIONS. MOLD FLASH AND GATE PROTRUSIONS NOT TO EXCEED 0.025 (0.635) MAXIMUM.

DIM	INCHES		MILLIMETERS	
	MIN	MAX	MIN	MAX
A	0.386	0.403	9.804	10.236
B	0.356	0.368	9.042	9.347
C	0.170	0.180	4.318	4.572
D	0.026	0.036	0.660	0.914
E	0.045	0.055	1.143	1.397
F	0.051 REF		1.295 REF	
G	0.100 BSC		2.540 BSC	
H	0.539	0.579	13.691	14.707
J	0.125 MAX		3.175 MAX	
K	0.050 REF		1.270 REF	
L	0.000	0.010	0.000	0.254
M	0.088	0.102	2.235	2.591
N	0.018	0.026	0.457	0.660
P	0.058	0.078	1.473	1.981
R	5° REF		5° REF	
S	0.116 REF		2.946 REF	
U	0.200 MIN		5.080 MIN	
V	0.250 MIN		6.350 MIN	

### SOLDERING FOOTPRINT\*



**D<sup>2</sup>PAK**

SCALE 3:1 (mm/inches)

\*For additional information on our Pb-Free strategy and soldering details, please download the ON Semiconductor Soldering and Mounting Techniques Reference Manual, SOLDERRM/D.

ON Semiconductor and are registered trademarks of Semiconductor Components Industries, LLC (SCILLC). SCILLC reserves the right to make changes without further notice to any products herein. SCILLC makes no warranty, representation or guarantee regarding the suitability of its products for any particular purpose, nor does SCILLC assume any liability arising out of the application or use of any product or circuit, and specifically disclaims any and all liability, including without limitation special, consequential or incidental damages. "Typical" parameters which may be provided in SCILLC data sheets and/or specifications can and do vary in different applications and actual performance may vary over time. All operating parameters, including "Typicals" must be validated for each customer application by customer's technical experts. SCILLC does not convey any license under its patent rights nor the rights of others. SCILLC products are not designed, intended, or authorized for use as components in systems intended for surgical implant into the body, or other applications intended to support or sustain life, or for any other application in which the failure of the SCILLC product could create a situation where personal injury or death may occur. Should Buyer purchase or use SCILLC products for any such unintended or unauthorized application, Buyer shall indemnify and hold SCILLC and its officers, employees, subsidiaries, affiliates, and distributors harmless against all claims, costs, damages, and expenses, and reasonable attorney fees arising out of, directly or indirectly, any claim of personal injury or death associated with such unintended or unauthorized use, even if such claim alleges that SCILLC was negligent regarding the design or manufacture of the part. SCILLC is an Equal Opportunity/Affirmative Action Employer. This literature is subject to all applicable copyright laws and is not for resale in any manner.

### PUBLICATION ORDERING INFORMATION

**LITERATURE FULFILLMENT:**  
Literature Distribution Center for ON Semiconductor  
P.O. Box 5163, Denver, Colorado 80217 USA  
**Phone:** 303-675-2175 or 800-344-3860 Toll Free USA/Canada  
**Fax:** 303-675-2176 or 800-344-3867 Toll Free USA/Canada  
**Email:** orderlit@onsemi.com

**N. American Technical Support:** 800-282-9855 Toll Free  
USA/Canada

**Japan:** ON Semiconductor, Japan Customer Focus Center  
2-9-1 Kamimeguro, Meguro-ku, Tokyo, Japan 153-0051  
**Phone:** 81-3-5773-3850

**ON Semiconductor Website:** <http://onsemi.com>

**Order Literature:** <http://www.onsemi.com/litorder>

For additional information, please contact your local Sales Representative.