

Q800LTY4D

8mm Super Bright Yellow LED Lamps

8mm with Super Bright Yellow Dice.

Encapsulated with Water Clear Lens Package.

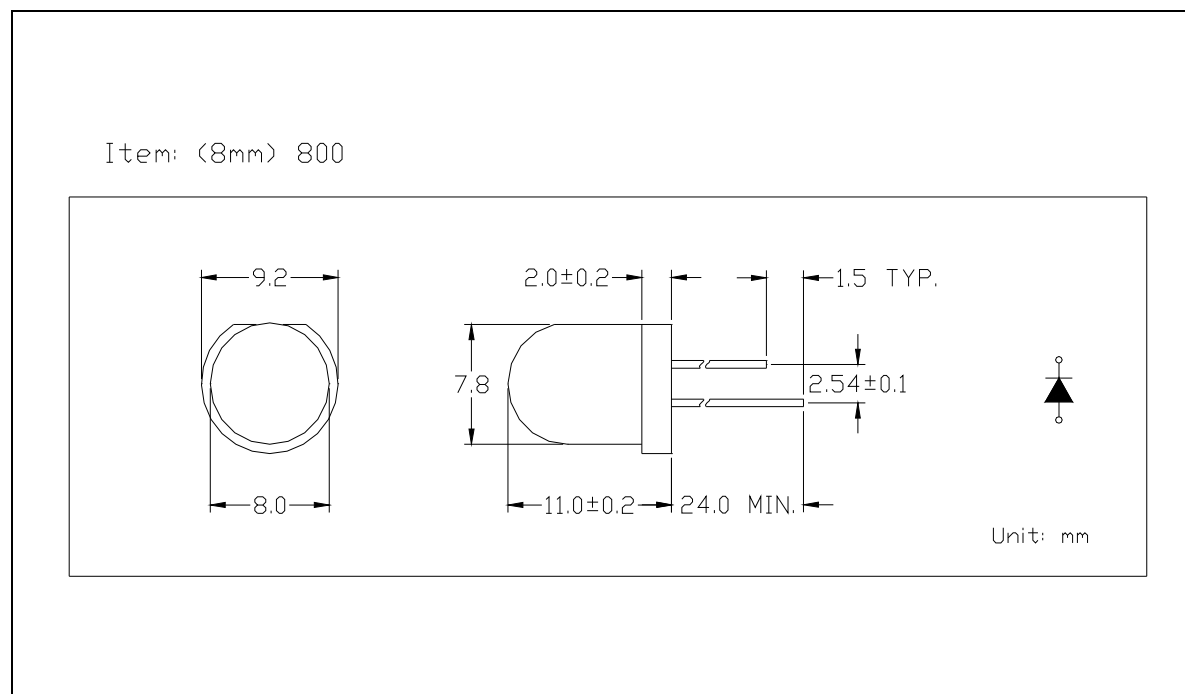
Long Leads.

Absolute Maximum Ratings :

Parameter	Maximum Rating	Unit
Peak Forward Current	120	mA
Continuous Forward Current	30	mA
Operating Temperature Range	- 20°C to + 75°C	
Storage Temperature Range	- 40°C to + 100°C	
Lead Soldering Temperature	260°C for 5 seconds	

Electro-Optical Characteristics (Ta = 25°C)

Parameter Radiant	Test Condition	Symbol	Min.	Typ.	Max.	Unit
Forward Voltage	If = 20mA	Vf	1.80	2.10	2.6	V
Reverse Current	Vr = 5V	Ir			10	uA
Luminous Intensity	If = 20mA	Iv		3000		mcd
Spectral Bandwidth	If = 20mA	$\Delta\lambda$		20		nm
Wavelength	If = 20mA	λ_p				nm
		λ_d		590		nm
Half View Angle	If = 20mA	2 θ 1/2		30		deg



Package