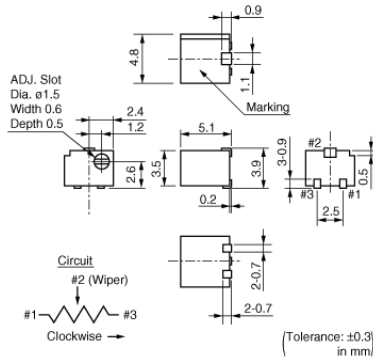


# PVG5A100C03B00

Discontinued RoHS REACH

## Appearance & Shape



## Features

1. Sealed construction protects the interior from dust and liquid, which achieves stable performance.
2. Available with reflow soldering method
3. Available for ultrasonic cleaning after soldering
4. Clutch mechanism prevents excessive wiper rotation.
5. Both Top and side adjustment directions
6. Ultra smaller volume (1/5-1/2) than leaded multi-turn potentiometer.

## Packaging Information

Packaging	Specifications	Minimum Order Quantity
B00	Bulk(Bag)	100

### Attention

- 1.This datasheet is downloaded from the website of Murata Manufacturing Co., Ltd. Therefore, it's specifications are subject to change or our products in it may be discontinued without advance notice. Please check with our sales representatives or product engineers before ordering.
- 2.This datasheet has only typical specifications because there is no space for detailed specifications.  
Therefore, please review our product specifications or consult the approval sheet for product specifications before ordering.

# PVG5A100C03B00



## Specifications

Power Rating	0.25W	Mass	0.18g
Shape	SMD		
Maximum Working Voltage	300Vdc		
Adjustment Direction	Top		
Size	5mm		
Auto Adjustment	No		
Number of Turns (Effective Rotation Angle)	11		
Mechanical Rotation Angle	-		
Total Resistance Value	10Ω		
Total Resistance Value Tolerance	±10%		
Temperature Coefficient of Resistance	±150ppm/°C		
Resistance Taper	B (Linear)		
Contact Resistance Variation	Less than 3% of total resistance value or 3ohm, whichever is greater		
Residual Resistance	Less than 1% of total resistance value or 2ohm, whichever is greater		
Torque	17.6mN·m max.		
Measure Condition of RatedPower	70°C		
Operating Temperature Range	-55°C to 125°C		

### Attention

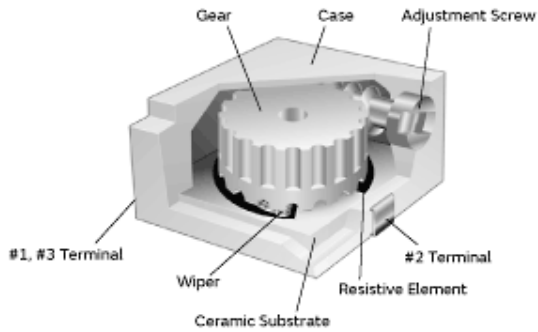
1.This datasheet is downloaded from the website of Murata Manufacturing Co., Ltd. Therefore, it's specifications are subject to change or our products in it may be discontinued without advance notice. Please check with our sales representatives or product engineers before ordering.

2.This datasheet has only typical specifications because there is no space for detailed specifications.

Therefore, please review our product specifications or consult the approval sheet for product specifications before ordering.

# PVG5A100C03B00

## Product Data



### Constructions

#### Attention

- 1.This datasheet is downloaded from the website of Murata Manufacturing Co., Ltd. Therefore, it's specifications are subject to change or our products in it may be discontinued without advance notice. Please check with our sales representatives or product engineers before ordering.
- 2.This datasheet has only typical specifications because there is no space for detailed specifications.  
Therefore, please review our product specifications or consult the approval sheet for product specifications before ordering.