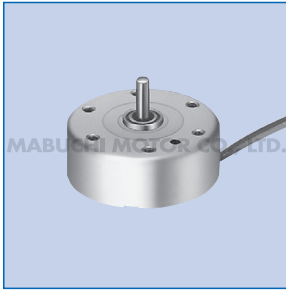


# RF-400CA

OUTPUT : 0.04W ~ 0.4W (APPROX)

貴金属ブラシ | Precious metal-brush motors | 贵金属电刷



代表的用途 音響・映像機器：カーCDプレーヤー

Typical Applications Audio and Visual Equipment : Car CD Player

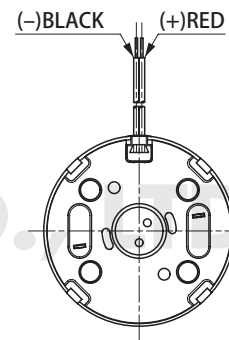
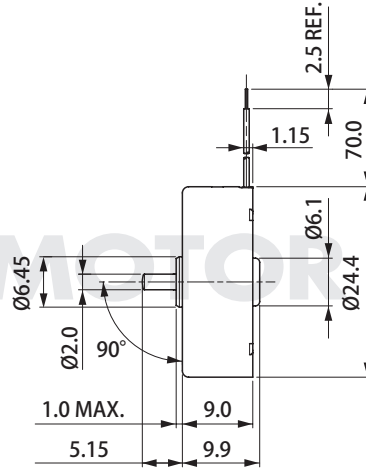
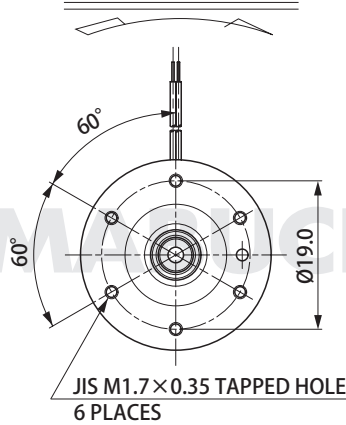
主要用途 音响、影像机器：汽车CD播放机

WEIGHT : 17g (APPROX)

MODEL	VOLTAGE		NO LOAD		AT MAXIMUM EFFICIENCY				STALL			
	OPERATING RANGE	NOMINAL	SPEED	CURRENT	SPEED	CURRENT	TORQUE	OUTPUT	TORQUE	CURRENT		
			r/min	A	r/min	A	mN·m	g·cm	W	mN·m	g·cm	A
RF-400CA-12265	1~6	2V CONSTANT	4000	0.030	3070	0.099	0.25	2.6	0.080	1.08	11	0.33
RF-400CA-1D350	1~6	2V CONSTANT	3300	0.022	2460	0.065	0.21	2.1	0.054	0.82	8.4	0.19

端子仕様もあります。  
Also available with terminals (without leadwires).  
也有端子规格。

DIRECTION OF ROTATION

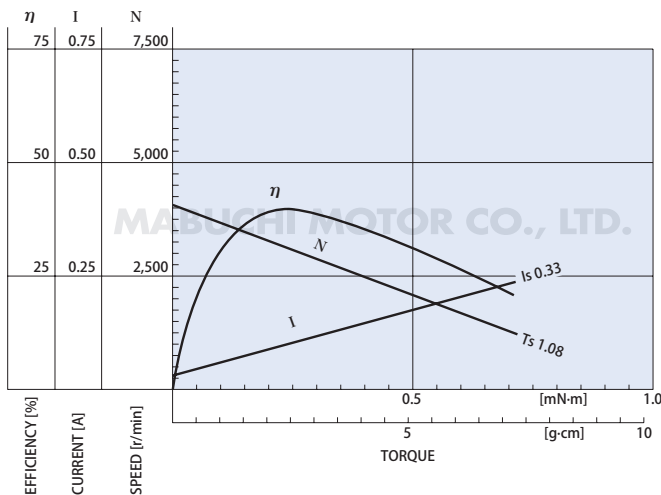


SHAFT LENGTH 14.3

取付けネジの長さはモーターケース面より1.1以下  
Usable machine screw length 1.1 max. from motor mounting surface.  
安装螺丝的长度须从马达壳面算起1.1以内

UNIT : MILLIMETERS

RF-400CA-12265 2.0V



RF-400CA-1D350 2.0V

