

OFF-LINE QUASI-RESONANT FLYBACK SWITCHING REGULATOR

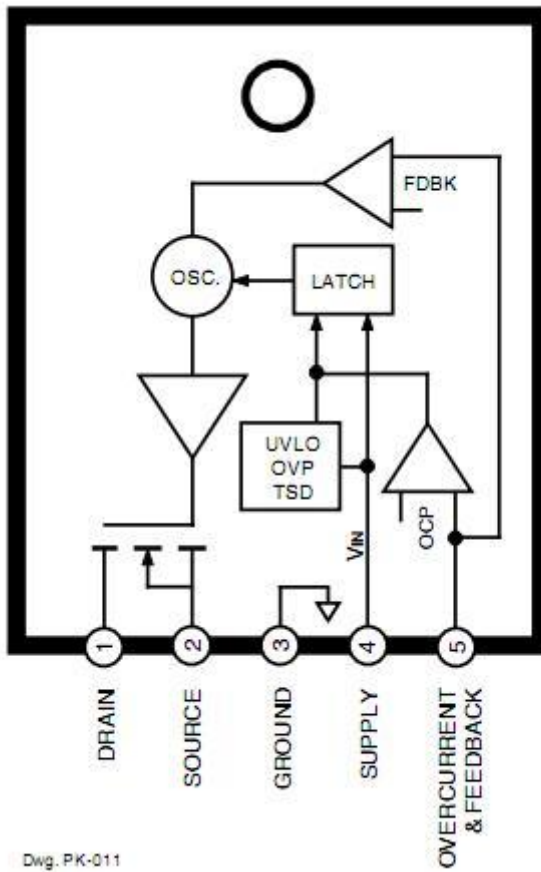
STRTG6153, STRT-G6153,STR-G6153,STRG613反激变换器开关调节器

FEATURES

- Quasi-Resonant Operation
- Output Power to 66 W
- Low-Loss, Pulse-Ratio-Control Standby Mode
- Temperature-Compensated Pulse-by-Pulse Over-Current Protection
- Latched Over-Voltage and Thermal Protection
- Under-Voltage Lockout with Hysteresis
- Active Low-Pass Filter for Enhanced Light-Load Stability
- Switched Attenuation of Leading-Edge Current-Sensing Signal
- Regulated Soft Gate Drive
- Adjustable Switching Speed for EMI Control
- Overmolded Five-Pin Package

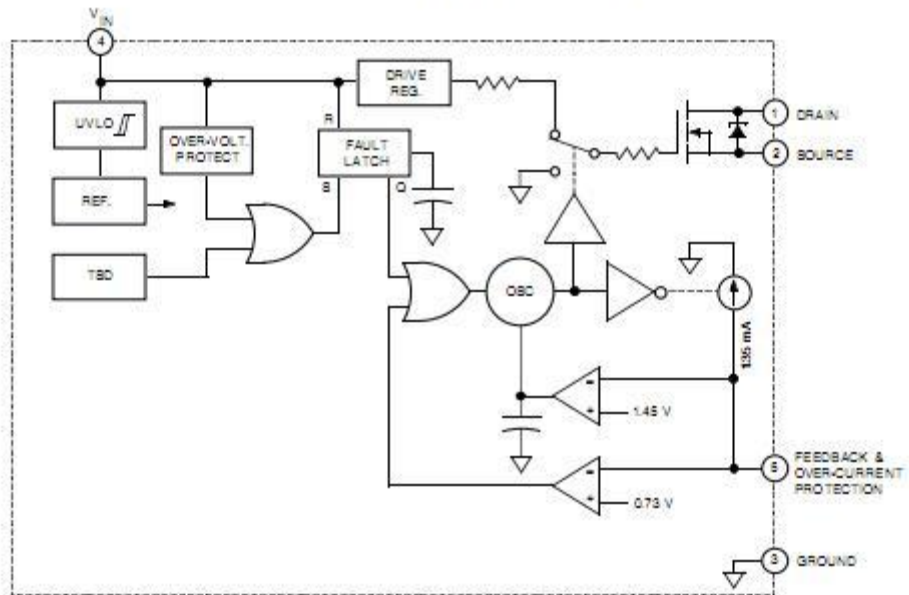
STR-G6600 Series

Part Number	Drain-Source Output Breakdown Voltage at $I_D = 300 \mu\text{A}$		Drain-Source ON Resistance at $I_D = 0.9 \text{ A}$		Output Power
	$V_{(BR)DS}$	Minimum	$r_{DS(on)}$	Maximum	
For 100/120 V AC Input					
STR-G6622	450 V		2.18 Ω		44 W – 60 W
STR-G6624	450 V		0.92 Ω		98 W – 130 W
For 110/120 V AC Input					
STR-G6632	500 V		2.62 Ω		36 W – 50 W
For 200/220 V AC Input					
STR-G6651	650 V		3.95 Ω		66 W
STR-G6652	650 V		2.80 Ω		86 W
STR-G6653	650 V		1.95 Ω		120 W



Dwg. PK-011

FUNCTIONAL BLOCK DIAGRAM



Dwg. PK-024