

Humidity sensor SYH-1

Feature

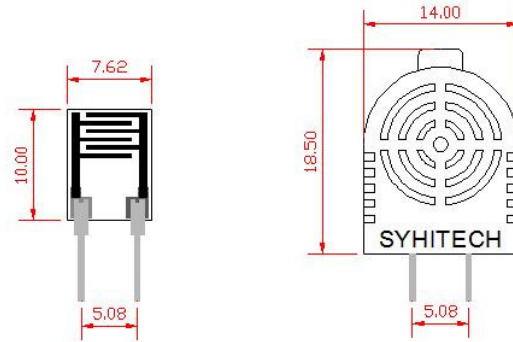
- Highly marketable product
- Long history

- Small and light
- Mass production

Application

Weather station, Humidifier & dehumidifier, Air-conditioner, Refrigerator and so on.

Dimension



Specification

Rated voltage (V)	1 V _{RMS} (recommended)	Max 5V _{peak} (available)
Rated power (mW)	Max 0.26	at 1 V _{RMS}
Standard characteristic (kΩ)	23	at 25 °C, 60%RH, 1 V _{RMS} , 1kHz
Operating temperature (°C)	0 ~ 60	
Operating humidity range (°C)	20 ~ 90	non condensing
Operating frequency range (Hz)	1k	100 ~ 10k (available)
Storage temperature range (°C)	-30 ~ 85	
Storage humidity range (°C)	Less than 95	non condensing
Accuracy (%RH)	± 3	at 25 °C, 60%RH
Hysteresis (%RH)	Within ± 2	at 25 °C, 40↔80%RH
Response time (%RH)	Less than 60	at 25 °C, 30↔90%RH, T ₉₀
Temperature coefficient (%RH/°C)	-0.45	

Standard characteristics

