

## TV Vertical Deflection Output Amplifier

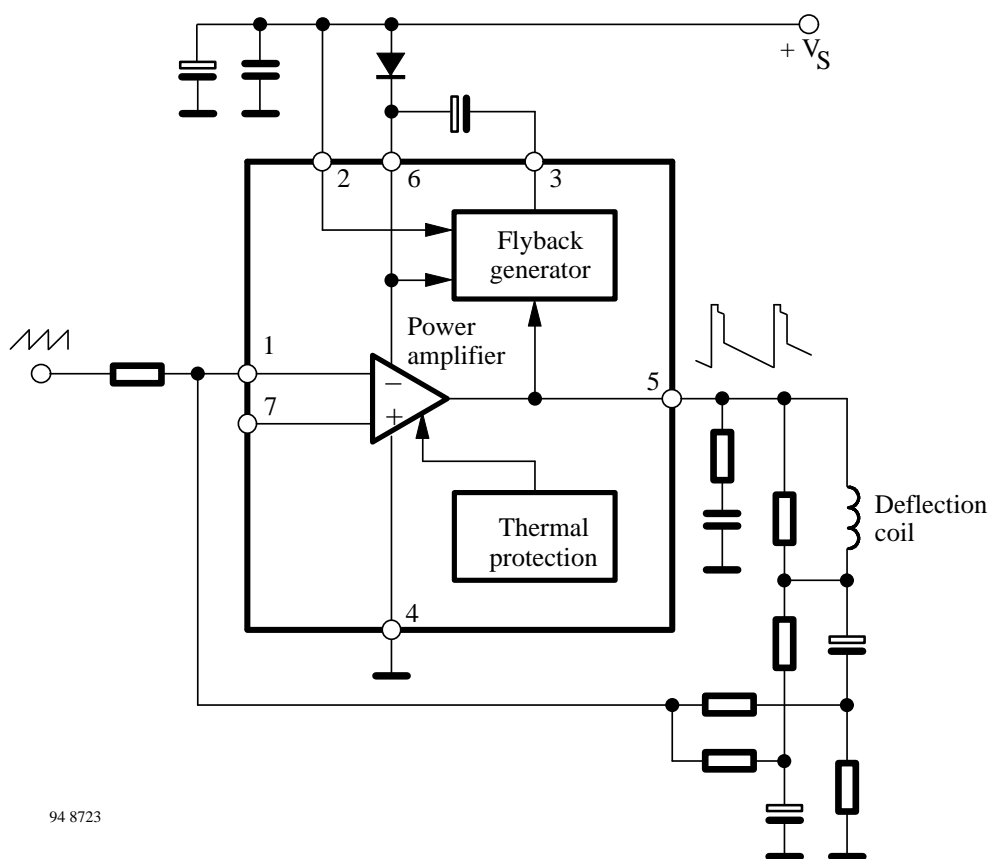
**Technology:** Bipolar

### Features

- Output peak current,  $I_5 = 2.5 \text{ A}$
- Flyback current, peak to peak,  $I_3 = 4 \text{ A}$
- Thermal protection,  $T_j \geq 140^\circ\text{C}$

**Case:** 7 leads special plastic case

### Block diagram



94 8723

Figure 1 Block diagram

### Pin Configuration

Pin	Function
1	Inverted input
2	Supply voltage
3	Flyback generator
4	Ground

Pin	Function
5	Output
6	Output stage supply
7	Non inverted input

### Absolute Maximum Ratings

Parameters	Symbol	Value	Unit
Supply voltage Pin 2	$V_S$	40	V
Flyback peak voltage Pins 5 and 6	$V_{5,6}$	70	V
Voltage at pin 3	$V_3$	$V_S$	V
Input voltage Pins 1 and 7	$V_{1,7}$	$V_S$	V
Output peak current: t = 2 ms, non repetitive f = 50/60 Hz, t < 10 µs f = 50/60 Hz, t > 10 µs Pin 5	$I_O$	3 3.5 2.5	A
DC current at pin 3, @ $V_5 < V_2$	$I_3$	100	mA
Flyback current peak to peak, f = 50/60 Hz, $t_{fly} \leq 1.5$ ms Pin 3	$I_3$	4	A
Power dissipation, $T_{case} = 70^\circ\text{C}$	$P_{tot}$	20	W
Storage temperature	$T_{stg}$	- 40 to + 150	°C
Junction temperature	$T_j$	- 40 to + 150	°C

### Thermal Resistance

Parameters	Symbol	Maximum	Unit
Junction case	$R_{thJC}$	3	K/W

### Electrical Characteristics

$V_S = 35$  V,  $T_{amb} = 25^\circ\text{C}$ , (see test circuits)

Parameters	Test Conditions / Pin	Symbol	Min	Typ	Max	Unit
Quiescent current	$I_3 = 0, I_S = 0$ Pin 2	$I_2$		15	20	mA
	$I_3 = 0, I_S = 0$ Pin 6 figure 2	$I_6$		30	45	
Input quiescent current	$V_1 = 1$ V Pin 1 figure 3	$-I_1$		0.5	1	µA
Saturation voltage to GND (Pin 4)	$I_3 = 20$ mA Pin 3 figure 4	$V_{3-4}$		0.5	1.1	V
Output voltage	$V_S = 35$ V, $R_f = 39$ kΩ figure 5 Pin 5	$V_5$		18		V
Saturation voltage to GND (Pin 4)	$I_5 = 1.2$ A Pin 5 $I_5 = 2.0$ A figure 6	$V_{5-4}$		0.35	0.7	V
				0.6	1.1	
Saturation voltage to supply (Pin 6)	$I_5 = -1.2$ A Pin 5 $I_5 = -2.0$ A figure 7	$V_{5-6}$		1 1.2	1.5 1.8	V
Junction temperature for thermal shut down		$T_j$		140		°C

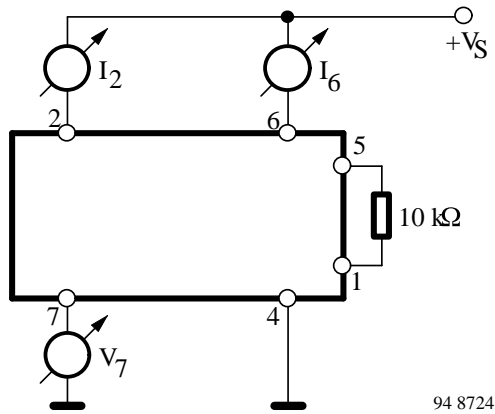


Figure 2

94 8724

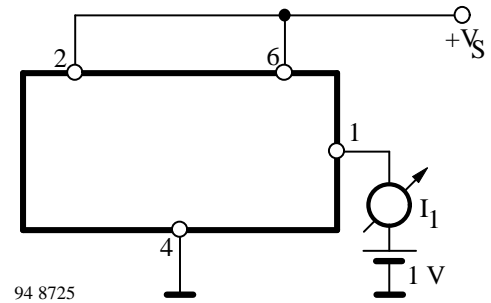


Figure 3

94 8725

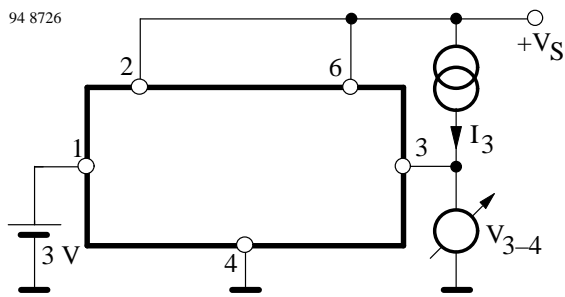


Figure 4

94 8726

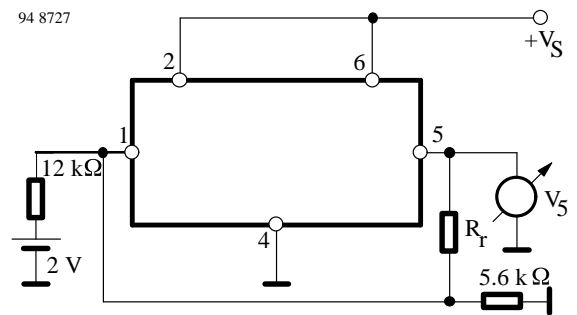


Figure 5

94 8727

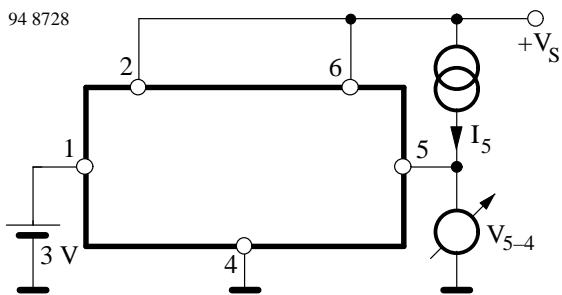


Figure 6

94 8728

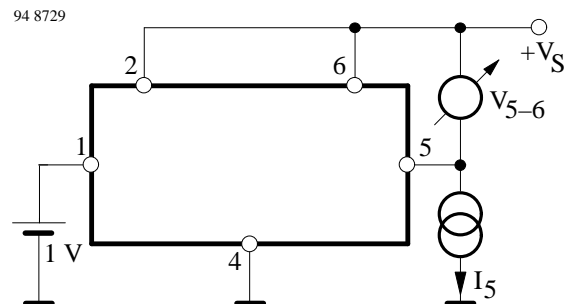
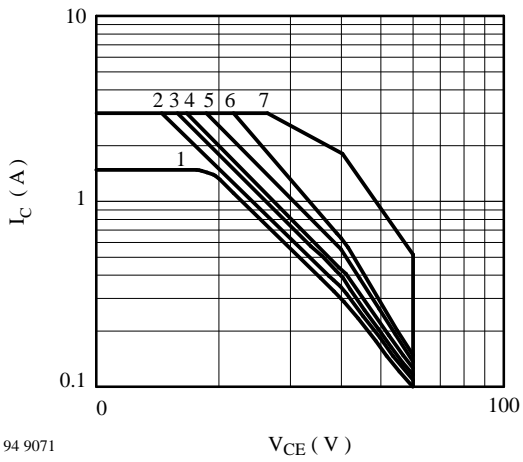


Figure 7

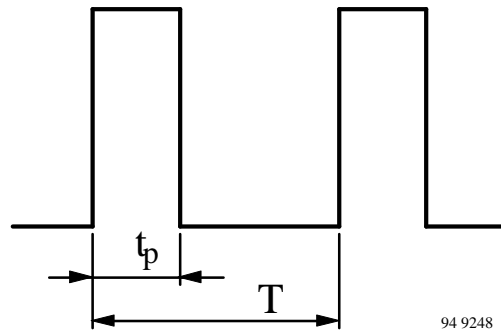
94 8729

## TDA 4173



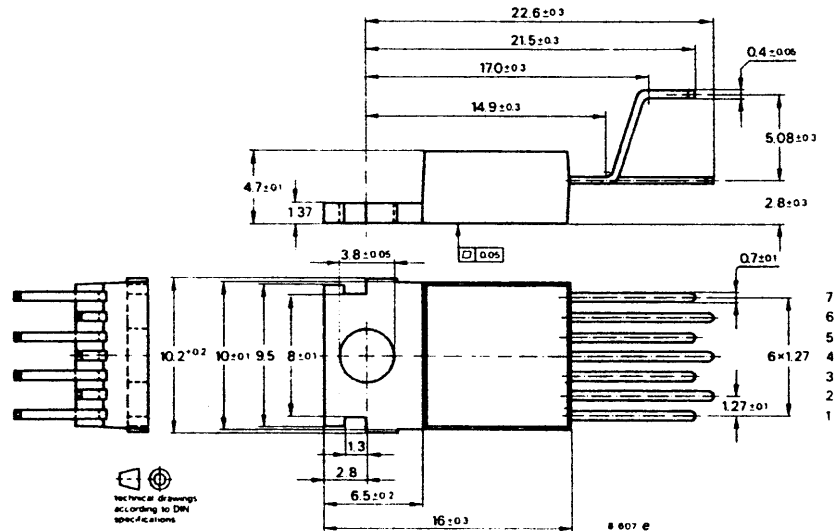
Typical SOAR curves  
 $I_C = I_5, V_{CE} = V_5$  and  
 $I_C = -I_5, V_{CE} = V_6 - V_5$

Curve no.	$t_p$	$t_p : T$
1	DC	
2	10 ms	1 : 2
3	10 ms	1 : 4
4	1 ms	1 : 2
5	1 ms	1 : 4
6	1 ms	1 : 20
7	0.2 ms	1 : 10



## Dimensions in mm

Package: 7 leads special plastic case



**We reserve the right to make changes without further notice to improve technical design.**

Parameters can vary in different applications. All operating parameters must be validated for each customer application by customer. Should Buyer use TEMIC products for any unintended or unauthorized application, Buyer shall indemnify TEMIC against all claims, costs, damages, and expenses, arising out of, directly or indirectly, any claim of personal damage, injury or death associated with such unintended or unauthorized use.

TEMIC TELEFUNKEN microelectronic GmbH, P.O.B. 3535, D-74025 Heilbronn, Germany  
 Telephone: 49 (0)7131 67 2831, Fax Number: 49 (0)7131 67 2423

## OZONE DEPLETING SUBSTANCES POLICY STATEMENT

It is the policy of **TEMIC TELEFUNKEN microelectronic GmbH** to

1. Meet all present and future national and international statutory requirements and
2. Regularly and continuously improve the performance of our products, processes, distribution and operating systems with respect to their impact on the health and safety of our employees and the public, as well as their impact on the environment.

Of particular concern is the control or elimination of releases into the atmosphere of these substances which are known as ozone depleting substances (ODSs).

The Montreal Protocol (1987) and its London Amendments (1990) will severely restrict the use of ODSs and forbid their use within the next ten years. Various national and international initiatives are pressing for an earlier ban on these substances.

**TEMIC TELEFUNKEN microelectronic GmbH** semiconductor division has been able to use its policy of continuous improvements to eliminate the use of any ODSs listed in the following documents that all refer to the same substances:

- (1) Annex A, B and list of transitional substances of the Montreal Protocol and the London Amendments respectively
- (2) Class I and II ozone depleting substances in the Clean Air Act Amendments of 1990 by the Environmental Protection Agency (EPA) in the USA and
- (3) Council Decision 88/540/EEC and 91/690/EEC Annex A, B and C (transitional substances) respectively.

**TEMIC** can certify that our semiconductors are not manufactured with and do not contain ozone depleting substances.

This datasheet has been downloaded from:

[www.DatasheetCatalog.com](http://www.DatasheetCatalog.com)

Datasheets for electronic components.