

# DATA SHEET



## **TDA4886A** 140 MHz video controller with I<sup>2</sup>C-bus

Product specification  
File under Integrated Circuits, IC02

1998 Dec 04

---

**140 MHz video controller with I<sup>2</sup>C-bus****TDA4886A**

---

**CONTENTS**

1	FEATURES
2	GENERAL DESCRIPTION
3	ORDERING INFORMATION
4	QUICK REFERENCE DATA
5	BLOCK DIAGRAM
6	PINNING
7	FUNCTIONAL DESCRIPTION
7.1	Signal input stage (input clamping, blanking and clipping)
7.2	Electronic potentiometer stages
7.3	Output stage
7.4	Pedestal blanking
7.5	Output clamping, feedback references and DAC outputs
7.6	Clamping and blanking pulses
7.7	On Screen Display (OSD)
7.8	Subcontrast adjustment, contrast modulation and beam current limiting
7.9	I <sup>2</sup> C-bus control
7.10	I <sup>2</sup> C-bus data buffer
8	LIMITING VALUES
9	THERMAL CHARACTERISTICS
10	CHARACTERISTICS
11	I <sup>2</sup> C-BUS PROTOCOL
12	TEST AND APPLICATION INFORMATION
12.1	Test boards
12.2	Recommendations for building the application board
13	INTERNAL CIRCUITRY
14	PACKAGE OUTLINE
15	SOLDERING
15.1	Introduction to soldering through-hole mount packages
15.2	Soldering by dipping or by solder wave
15.3	Manual soldering
15.4	Suitability of through-hole mount IC packages for dipping and wave soldering methods
16	DEFINITIONS
17	LIFE SUPPORT APPLICATIONS
18	PURCHASE OF PHILIPS I <sup>2</sup> C COMPONENTS

140 MHz video controller with I<sup>2</sup>C-bus

TDA4886A

**1 FEATURES**

- 140 MHz pixel rate
- 2.8 ns rise time, 3.8 ns fall time
- I<sup>2</sup>C-bus control
- I<sup>2</sup>C-bus data buffer for synchronization of adjustments
- Grey scale tracking
- On Screen Display (OSD) mixing with 50 MHz pixel rate
- OSD contrast
- Negative feedback for DC-coupled cathodes
- Especially for AC-coupled cathodes
  - Black level adaptable to kind of post amplifier
  - Internal positive feedback
  - DAC outputs for black level restoration.
- Integrated black level storage capacitors
- Beam current limiting
- Subcontrast/contrast modulation
- Pedestal blanking
- Sync clipping.

**2 GENERAL DESCRIPTION**

The TDA4886A is a monolithic integrated RGB pre-amplifier for colour monitor systems (e.g. 15" and 17") with I<sup>2</sup>C-bus control and OSD. In addition to bus control, beam current limiting and contrast modulation are possible. The signals are amplified in order to drive commonly used video modules or discrete solutions. Individual black level control with negative feedback from the cathode (DC coupling) or gradually adaptable black level control with positive feedback and 3 DAC outputs for external cut-off control (AC coupling) is possible.

With special advantages the circuit can be used in conjunction with the TDA485X monitor deflection IC family.

**3 ORDERING INFORMATION**

TYPE NUMBER	PACKAGE		
	NAME	DESCRIPTION	VERSION
TDA4886A	SDIP24	plastic shrink dual in-line package; 24 leads (400 mil)	SOT234-1

140 MHz video controller with I<sup>2</sup>C-bus

## TDA4886A

## 4 QUICK REFERENCE DATA

SYMBOL	PARAMETER	CONDITIONS	MIN.	TYP.	MAX.	UNIT
V <sub>P</sub>	supply voltage (pin 7)		7.6	8.0	8.8	V
I <sub>P</sub>	supply current (pin 7)		–	21	25	mA
V <sub>P1,2,3</sub>	channel supply voltage (pins 21, 18 and 15)		7.6	8.0	8.8	V
I <sub>P1,2,3</sub>	channel supply current (pins 21, 18 and 15)		–	21	25	mA
V <sub>i(b-w)</sub>	input voltage (black-to-white value; pins 6, 8 and 10)		–	0.7	1.0	V
V <sub>o(b-w)</sub>	nominal output voltage swing (black-to-white value; pins 22, 19 and 16)	nominal contrast; maximum gain	–	2.8	–	V
V <sub>o(b-w)(max)</sub>	maximum output voltage swing (black-to-white value; pins 22, 19 and 16)	maximum contrast; maximum gain	–	4.54	–	V
V <sub>o</sub>	output voltage level (pins 22, 19 and 16)		0.05	–	V <sub>P</sub> – 1	V
V <sub>bl(DC)</sub>	typical reference black level for DC coupling (pins 22, 19 and 16)	control bit FPOL = 0	0.5	–	2.5	V
V <sub>bl(AC)</sub>	typical reference black level for AC coupling (pins 22, 19 and 16)	control bit FPOL = 1 and PEDST = 0  BLH2 = 0; BLH1 = 0 BLH2 = 0; BLH1 = 1 BLH2 = 1; BLH1 = 0 BLH2 = 1; BLH1 = 1	– – – –	0.77 1.01 1.25 1.49	– – – –	V V V V
I <sub>o(sink)</sub>	peak output sink current	during fast signal transients	–	–	20	mA
I <sub>o(source)</sub>	peak output source current	during fast signal transients	–40	–	–	mA
B	bandwidth	–3 dB (small signal)	–	165	–	MHz
t <sub>r(o)</sub>	video rise time at signal outputs (pins 22, 19 and 16)		–	2.8	–	ns
t <sub>f(o)</sub>	video fall time at signal outputs (pins 22, 19 and 16)		–	3.8	–	ns
dV <sub>o</sub>	overshoot at signal outputs (pins 22, 19 and 16)	minimum rise time	8	17	30	%
α <sub>ct(f)</sub>	crosstalk suppression by frequency	f = 50 MHz	25	–	–	dB
C <sub>C</sub>	contrast control related to nominal contrast		–28	–	+4.2	dB
TR <sub>o</sub>	tracking of output signals for contrast variation from maximum to minimum		–	0.0	0.5	dB
G <sub>C</sub>	gain control related to maximum gain		–7.3	–	0	dB
BC	brightness control (typical black level voltage change related to nominal output signal amplitude)		–10	–	+30	%
V <sub>o(OSD)(max)</sub>	maximum OSD output voltage swing related to nominal output voltage swing (pins 22, 19 and 16)	maximum OSD contrast; maximum gain	–	120	–	%
C <sub>OSD</sub>	OSD contrast control related to maximum OSD contrast		–12	–	0	dB

140 MHz video controller with I<sup>2</sup>C-bus

TDA4886A

5 BLOCK DIAGRAM

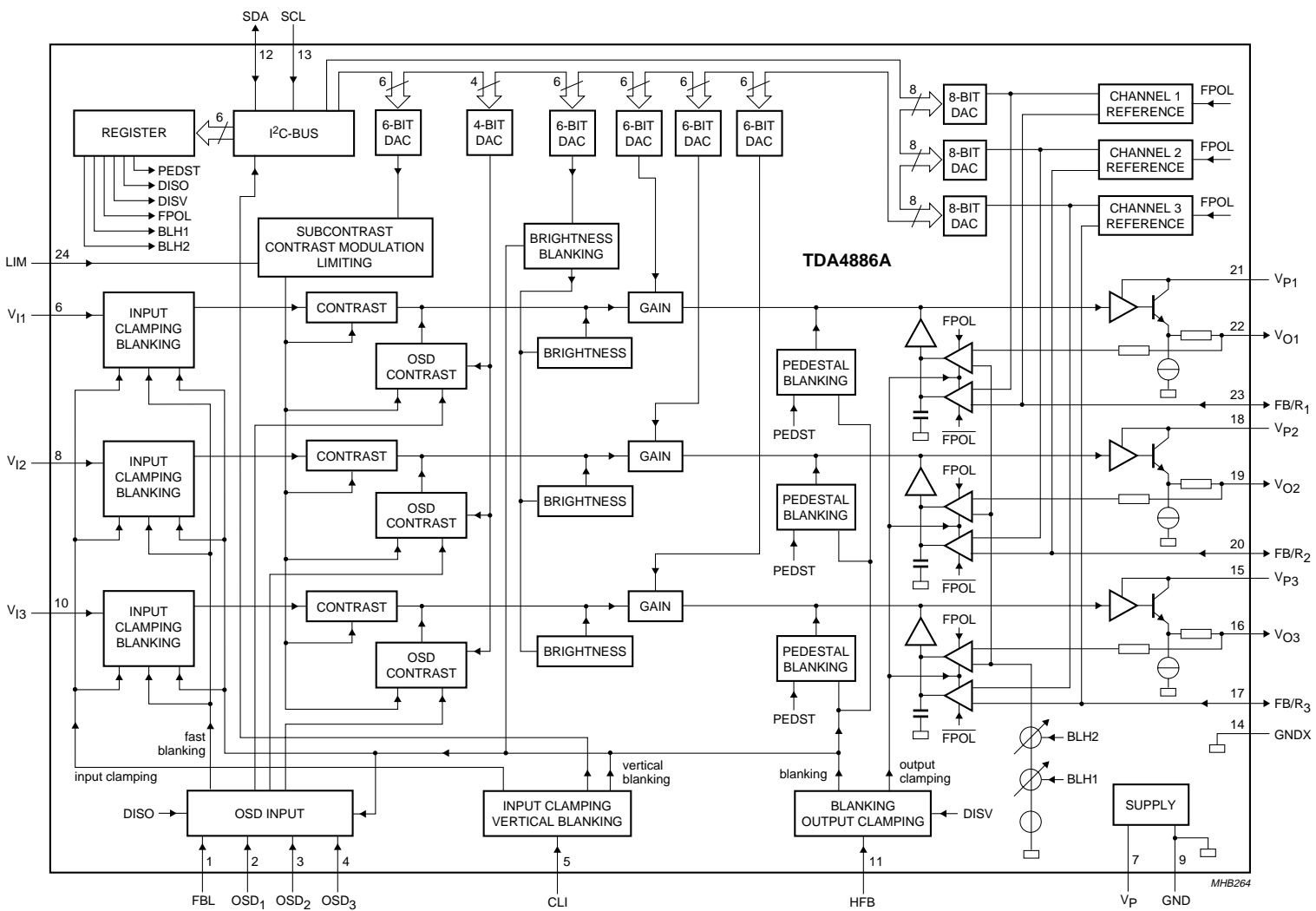


Fig.1 Block diagram.

140 MHz video controller with I<sup>2</sup>C-bus

TDA4886A

6 PINNING

SYMBOL	PIN	DESCRIPTION
FBL	1	fast blanking input for OSD insertion
OSD <sub>1</sub>	2	OSD input channel 1
OSD <sub>2</sub>	3	OSD input channel 2
OSD <sub>3</sub>	4	OSD input channel 3
CLI	5	input clamping; vertical blanking input
V <sub>I1</sub>	6	signal input channel 1
V <sub>P</sub>	7	supply voltage
V <sub>I2</sub>	8	signal input channel 2
GND	9	ground
V <sub>I3</sub>	10	signal input channel 3
HFB	11	horizontal flyback input (output clamping, blanking)
SDA	12	I <sup>2</sup> C-bus serial data input/output
SCL	13	I <sup>2</sup> C-bus clock input
GNDX	14	ground channels 1, 2 and 3
V <sub>P3</sub>	15	supply voltage channel 3
V <sub>O3</sub>	16	signal output channel 3
FB/R <sub>3</sub>	17	feedback input/reference voltage output channel 3
V <sub>P2</sub>	18	supply voltage channel 2
V <sub>O2</sub>	19	signal output channel 2
FB/R <sub>2</sub>	20	feedback input/reference voltage output channel 2
V <sub>P1</sub>	21	supply voltage channel 1
V <sub>O1</sub>	22	signal output channel 1
FB/R <sub>1</sub>	23	feedback input/reference voltage output channel 1
LIM	24	subcontrast, contrast modulation, beam current limiting input

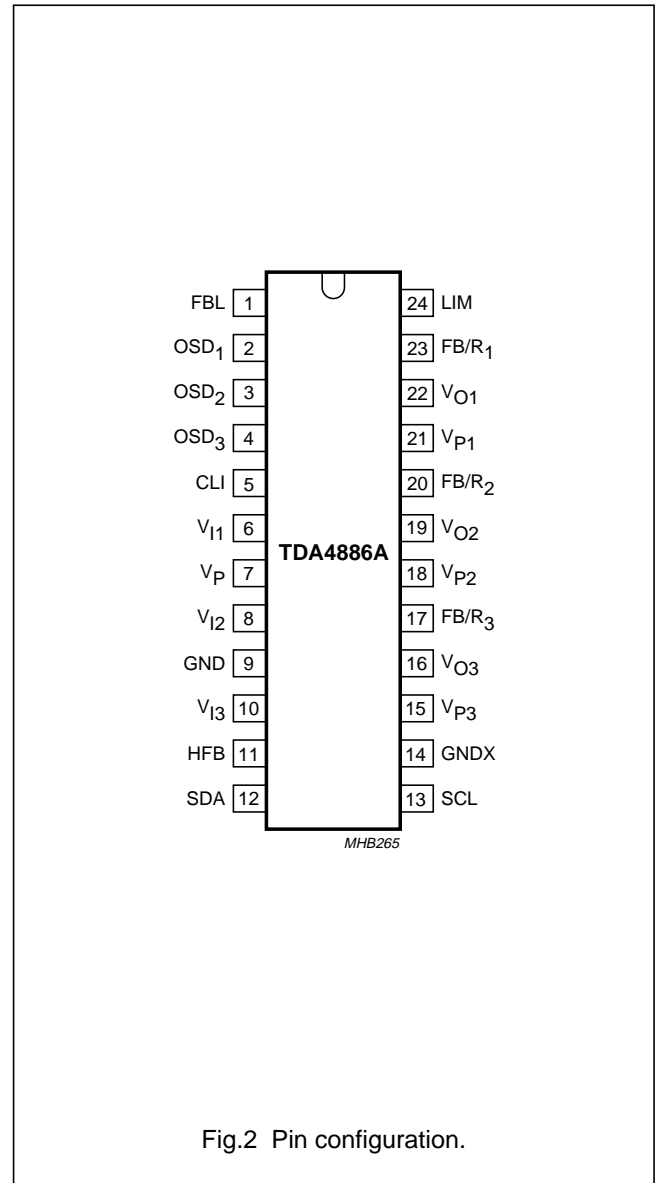


Fig.2 Pin configuration.

140 MHz video controller with I<sup>2</sup>C-bus

## TDA4886A

**7 FUNCTIONAL DESCRIPTION**

See block diagram (Fig.1) and definition of levels and output signals (see Chapter "Characteristics" notes 1 to 3; Figs 3 to 6).

**7.1 Signal input stage (input clamping, blanking and clipping)**

The RGB input signals with nominal signal amplitude of 0.7 V are capacitively coupled into the TDA4886A from a low-ohmic source (75 Ω recommended) and actively clamped to an internal DC voltage during signal black level. Because of the high-ohmic input impedance of the TDA4886A the coupling capacitor (which also functions as a storage capacitor between clamping pulses) can be relatively small (10 nF recommended). Very small input currents will discharge the coupling capacitor resulting in black output signals for missing **input clamping pulses**.

Composite signals will not disturb normal operation because a **clipping circuit** cuts all signal parts below black level.

A fast **signal blanking** stage belongs to the input stage which is driven by several **blanking pulses** (see Section "Clamping and blanking pulses") and control bit DISV = 1. During the off condition the internal reference black level will be inserted instead of the input signals.

**7.2 Electronic potentiometer stages****7.2.1 CONTRAST CONTROL (DRIVEN BY I<sup>2</sup>C-BUS, 6-BIT DAC)**

The input signals related to the internal reference black level can be simultaneously adjusted by contrast control with a control range of typically 32 dB. The nominal contrast setting is defined for 26H (4.2 dB below maximum).

**7.2.2 BRIGHTNESS CONTROL (DRIVEN BY I<sup>2</sup>C-BUS, 6-BIT DAC)**

With brightness control the video black level will be shifted in relation to the reference black level simultaneously for all three channels. With a negative setting (maximum 10% of nominal signal amplitude) dark signal parts will be lost in ultra black while for positive settings (maximum 30% of nominal signal amplitude) the background will alter from black to grey. The nominal brightness setting (10H) is no shift. The brightness setting is also valid for OSD signals. During blanking and output clamping the video black level will be blanked to reference black level (**brightness blanking**).

**7.2.3 GAIN CONTROL (DRIVEN BY I<sup>2</sup>C-BUS, 6-BIT DAC) AND GREY SCALE TRACKING**

Gain control is used for white point adjustment (correction for different voltage to light amplification of the three colour channels) and therefore individual for the three channels. The video signals related to the reference black level can be gain controlled within a range of typically 7.3 dB. The nominal setting is maximum gain. The video signal is the addition of the contrast controlled input signal and the brightness shift. The gain setting is also valid for OSD signals, thus the complete 'grey scale' is effected by gain control.

**7.3 Output stage**

In the output stage the nominal input signal will be amplified to 2.8 V output colour signal at nominal contrast and maximum gain. The maximum input to output amplification at maximum contrast and gain settings is 16.2 dB. By **output clamping** the reference black level can be adjusted. In order to achieve fast rise and fall times of the output signals with minimum crosstalk between the channels, each output stage has its own supply voltage pin.

**7.4 Pedestal blanking**

For the video portion the reference black level should correspond to the 'extended cut-off voltage' at the cathode. Nevertheless during vertical flyback retrace lines may be visible, though blanking to spot cut-off is useful. With control bit PEDST = 1 the pedestal black level will be adjusted by output clamping instead of the reference black level (see Fig.5). The pedestal black level is more negative than the video black level at minimum brightness setting and the voltage difference to reference black level is fixed.

**7.5 Output clamping, feedback references and DAC outputs**

The aim of the output clamping (pins FB/R<sub>1</sub>, FB/R<sub>2</sub> and FB/R<sub>3</sub> with control bit FPOL = 0, internal feedback with control bit FPOL = 1) is to set the reference black level of the signal outputs to a value which corresponds to the 'extended cut-off voltage' of the CRT cathodes. With a lack of output clamping pulses the integrated storage capacitors will be discharged resulting in output signals going to switch-off voltage. Feedback references are driven by the I<sup>2</sup>C-bus.

140 MHz video controller with I<sup>2</sup>C-bus

## TDA4886A

## 1. Control bit FPOL = 0

The cathode voltage (DC-coupled) is divided by a voltage divider and fed back to the IC. During the **output clamping pulse** it is compared with an adjustable feedback reference voltage with a range of approximately 5.77 to 4.05 V. Any difference will lead to a reference black level correction (control bit PEDST = 0) or pedestal black level correction (control bit PEDST = 1) by charging or discharging the integrated capacitor which stores the black level information between the output clamping pulses. The DC voltages of the output stages should be designed in such a way that the reference black level/pedestal black level is within the range of 0.5 to 2.5 V.

For correct operation it is necessary that there is enough headroom for ultra black signals (negative brightness setting, pedestal black level if control bit PEDST = 1). Any clipping with the video supply voltage at the cathode can disturb the signal rise/fall times or the black level stabilization.

## 2. Control bit FPOL = 1

For applications with AC-coupled cathodes the signal outputs are fed back internally. During the output clamping pulse they are compared with a feedback reference voltage of approximately 0.75, 1.0, 1.25 or 1.5 V (depending on the values of control bits BLH2 and BLH1). These values ensure a good adaptability to discrete and integrated post amplifiers as well.

For black level restoration the DAC outputs (FB/R<sub>1</sub>, FB/R<sub>2</sub> and FB/R<sub>3</sub>) with a range of approximately 5.77 to 4.05 V can be used.

The use of **pedestal blanking** allows a very simple black level restoration with a DC diode clamp instead of a complicated pulse restoration circuit because the pedestal black level is the most negative output signal.

## 7.6 Clamping and blanking pulses

The pin CLI of TDA4886A can be directly connected to pin CLBL of e.g. TDA4855 sync processor for input clamping pulses and vertical blanking pulses.

The threshold for the input clamping pulse (typical 3 V) is higher than the threshold for the vertical blanking pulse (typical 1.4 V) but there must be no blanking during input clamping. Thus vertical blanking only is enabled if no input clamping is detected. For this reason the input clamping pulse must have rise/fall times faster than 75 ns/V during the transition from 1.2 to 3.5 V and vice versa. The internal vertical blanking pulse will be delayed by typical 270 ns.

During the vertical blanking pulse at pin CLI **signal blanking, brightness blanking** and with control bit PEDST = 1 **pedestal blanking** will be activated. Input clamping pulses during vertical blanking will not switch off blanking.

For proper **input clamping** the input signals have to be at black level during the input clamping pulse.

An input pulse at pin HFB (e.g. horizontal flyback pulse) will be scanned with two thresholds. If the input pulse exceeds the first one (typical 1.4 V) **signal blanking, brightness blanking** and if control bit PEDST = 1 **pedestal blanking** will be activated. If the input pulse exceeds the second one (typical 3 V) additionally **output clamping** will be activated. The vertical blanking pulse can also be mixed with the horizontal flyback pulse at pin HFB.

## 7.7 On Screen Display (OSD)

If the fast blanking input signal at pin FBL exceeds the threshold (typical 1.4 V) the input signals are blanked (**signal blanking**) and OSD signals are enabled. Then any signal at pins OSD<sub>1</sub>, OSD<sub>2</sub> or OSD<sub>3</sub> exceeding the same threshold will create an insertion signal with an amplitude of 120% of the nominal colour signal (approximately 74% of the maximum colour signal). The amplitude can be controlled by OSD contrast (driven by the I<sup>2</sup>C-bus) with a range of 12 dB. The OSD signals are inserted at the same point as the contrast controlled input signals and will be treated with brightness and gain control like normal input signals.

With control bit DISO = 1 the OSD signal insertion and fast blanking (pin FBL) are disabled.

## 7.8 Subcontrast adjustment, contrast modulation and beam current limiting

The pin LIM is a linear contrast control pin which allows subcontrast setting, contrast modulation and beam current limiting. The maximum contrast is defined by the actual I<sup>2</sup>C-bus setting. Input signals at pin LIM act on video and OSD signals and do not affect the contrast bit resolution.

To achieve brightness uniformity over the screen, scan dependent contrast modulation is possible.



---

## 140 MHz video controller with I<sup>2</sup>C-bus

## TDA4886A

---

### 7.9 I<sup>2</sup>C-bus control

The TDA4886A contains an I<sup>2</sup>C-bus receiver for several control functions:

1. Contrast control with 6-bit DAC
2. Brightness control with 6-bit DAC
3. OSD contrast control with 4-bit DAC
4. Gain control for each channel with 6-bit DAC
5. Internal feedback reference and external reference voltage control for each channel with 8-bit DAC
6. Control register with control bits BLH2, BLH1, FPOL, DISV, DISO and PEDST.

After power-up and after internal power-on reset of the I<sup>2</sup>C-bus the registers are set to the following values:

- Control bit FPOL to logic 1
- Control bits BLH2, BLH1, DISV, DISO and PEDST to logic 0
- All other alignment registers to logic 0 (minimum value for control registers).

### 7.10 I<sup>2</sup>C-bus data buffer

#### 1. Buffered mode

Adjustments via the I<sup>2</sup>C-bus are synchronized with vertical blanking pulse at CLI.

- a) Most significant bit (MSB) of subaddresses is set to logic 1.
- b) Only one I<sup>2</sup>C-bus transmission in buffered mode is accepted before the start of the vertical blanking pulse. Following transmission trials will get no acknowledge.
- c) Received data is stored in one internal 8-bit buffer.
- d) Adjustments will take effect with detection of the first vertical blanking pulse after the end of according I<sup>2</sup>C-bus transmission.
- e) Waiting for vertical blanking pulse in buffered mode can be interrupted by power-on reset.
- f) Auto-increment is impossible.
- g) Buffered mode should be used for user adjustments such as contrast, OSD contrast and brightness while picture on monitor is visible.

#### 2. Direct mode

Adjustments via the I<sup>2</sup>C-bus take effect immediately.

- a) Most significant bit (MSB) of subaddresses is set to logic 0.
- b) Number of I<sup>2</sup>C-bus transmissions in direct mode is unlimited.
- c) Adjustments take effect directly at the end of each I<sup>2</sup>C-bus transmission.
- d) Direct mode can be used for all adjustments but large changes of control values may appear as visual disturbances in the picture on the monitor.
- e) Auto-increment is possible.
- f) Vertical blanking pulse is not necessary.

140 MHz video controller with I<sup>2</sup>C-bus

## TDA4886A

**8 LIMITING VALUES**

In accordance with the Absolute Maximum Rating System (IEC 134).

SYMBOL	PARAMETER	CONDITIONS	MIN.	MAX.	UNIT
V <sub>P</sub>	supply voltage (pin 7)		0	8.8	V
V <sub>P1, 2, 3</sub>	supply voltage channels 1, 2 and 3 (pins 21, 18 and 15)		0	8.8	V
V <sub>i</sub>	input voltage (pins 6, 8 and 10)		-0.1	V <sub>P</sub>	V
V <sub>ext</sub>	external DC voltage applied to the following pins: pins 1 to 4 pins 5 and 11 pins 12 and 13 pins 23, 20 and 17 pins 22, 19 and 16 pin 24		-0.1 -0.1 -0.1 -0.1 note 1 -0.1	V <sub>P</sub> V <sub>P</sub> + 0.7 V <sub>P</sub> V <sub>P</sub> + 0.7 note 1 V <sub>P</sub>	V V V V  V
I <sub>o(av)</sub>	average output current (pins 22, 19 and 16)		-	20	mA
I <sub>OM</sub>	peak output current (pins 22, 19 and 16)		-	50	mA
P <sub>tot</sub>	total power dissipation		-	1400	mW
T <sub>stg</sub>	storage temperature		-25	+150	°C
T <sub>amb</sub>	operating ambient temperature		-20	+70	°C
T <sub>j</sub>	junction temperature		-25	+150	°C
V <sub>ESD</sub>	electrostatic handling for all pins machine model human body model	note 2 note 3	-250 -2000	+250 +2000	V V

**Notes**

1. No external voltages.
2. Equivalent to discharging a 200 pF capacitor via a 0.75 μH inductance ("UZW-B0/FQ-B302").
3. Equivalent to discharging a 100 pF capacitor via a 1500 Ω series resistor ("UZW-B0/FQ-A302").

**9 THERMAL CHARACTERISTICS**

SYMBOL	PARAMETER	CONDITIONS	VALUE	UNIT
R <sub>th(j-a)</sub>	thermal resistance from junction to ambient	in free air	55	K/W

140 MHz video controller with I<sup>2</sup>C-bus

## TDA4886A

**10 CHARACTERISTICS**

All voltages and currents are measured in a dedicated test circuit which is optimized for best high frequency performance; all voltages are measured with respect to GND (pins 9 and 14);  $V_P = V_{P1,2,3} = 8\text{ V}$  (pins 7, 21, 18 and 15);  $T_{amb} = 25\text{ °C}$ ; nominal input signals [0.7 V (p-p) at pins 6, 8 and 10]; nominal colour signals at signal outputs (pins 22, 19 and 16); reference black level ( $V_{rbl}$ ) approximately 0.77 V; nominal settings for brightness and contrast; maximum settings for OSD contrast and gain; no subcontrast, modulation of contrast or limiting ( $V_{24} \geq 5\text{ V}$ ); no OSD fast blanking (pin 1 connected to ground); notes 1 to 3; unless otherwise specified.

SYMBOL	PARAMETER	CONDITIONS	MIN.	TYP.	MAX.	UNIT
<b>Supplies</b>						
$V_P$	supply voltage (pin 7)		7.6	8.0	8.8	V
$I_P$	supply current (pin 7)	note 4	–	21	25	mA
$V_{P1,2,3}$	channel supply voltage (pins 21, 18 and 15)		7.6	8.0	8.8	V
$I_{P1,2,3}$	channel supply current (pins 21, 18 and 15)	signal outputs (pins 22, 19 and 16) open-circuit; $V_{rbl} \approx 0.77\text{ V}$ ; notes 4 and 5	–	21	25	mA
$V_{PSO}$	supply voltage for signal switch off (threshold at pin 7)	signal outputs switched to switch-off voltage	–	–	7.2	V
<b>Input clamping and vertical blanking input, validation of buffered I<sup>2</sup>C-bus data (pin 5)</b>						
$V_5$	input clamping and vertical blanking input signal	notes 6 and 7				
		no vertical blanking, no input clamping	–0.1	–	+1.2	V
		vertical blanking, no input clamping	1.6	–	2.6	V
		input clamping, no vertical blanking	3.5	–	$V_P$	V
$I_5$	input current	$V_5 = 1\text{ V}$	–	–0.2	–	$\mu\text{A}$
		pin 5 connected to ground; note 8	–80	–60	–30	$\mu\text{A}$
		$V_5 = -0.1\text{ V}$ ; note 8	–250	–200	–100	$\mu\text{A}$
$t_{r/f5}$	rise/fall time for input clamping pulse, disable for vertical blanking	note 6; see Fig.7	–	–	75	ns/V
$t_{W5}$	width of input clamping pulse		0.6	–	–	$\mu\text{s}$
$t_{W5I2C}$	width of vertical blanking pulse for validation of buffered I <sup>2</sup> C-bus data	leading and trailing edge threshold $V_5 = 1.4\text{ V}$ ; note 7	10	–	–	$\mu\text{s}$
$t_{I2Cvalid}$	delay between leading edge of vertical blanking pulse and validation of buffered I <sup>2</sup> C-bus data	I <sup>2</sup> C-bus transmission in buffered mode completed; leading edge threshold $V_5 = 1.4\text{ V}$ ; note 7	–	–	2	$\mu\text{s}$
$t_{I2Cdead}$	dead time of I <sup>2</sup> C-bus receiver after synchronizing vertical blanking pulse in case of a completed I <sup>2</sup> C-bus transmission in buffered mode	leading edge threshold $V_5 = 1.4\text{ V}$ ; note 7	15	–	–	$\mu\text{s}$

140 MHz video controller with I<sup>2</sup>C-bus

## TDA4886A

SYMBOL	PARAMETER	CONDITIONS	MIN.	TYP.	MAX.	UNIT
$t_{d15}$	delay between leading edges of vertical blanking input pulse and signal blanking at signal outputs	$V_{11} < 0.8$ V; input pulse with 50 ns/V; threshold for rising input pulse $V_5 = 1.4$ V; threshold after input clamping pulse $V_5 = 3$ V; $V_{I(b-w)} = 0.7$ V; see Fig.7	–	270	–	ns
$t_{d15}$	delay between trailing edges of vertical blanking input pulse and internal blanking pulse	$V_{11} < 0.8$ V; input pulse with 50 ns/V; threshold $V_5 = 1.4$ V; see Fig.7	–	115	–	ns
<b>Output clamping and blanking input (pin 11)</b>						
$V_{11}$	output clamping and blanking input signal	note 9 no blanking, no output clamping blanking, no output clamping blanking, output clamping	–0.1 2.0 3.5	– – –	+0.8 2.6 $V_P$	V V V
$I_{11}$	input current	$V_{11} = 0.8$ V	–	–0.4	–	$\mu$ A
		pin 11 connected to ground; note 8	–80	–60	–30	$\mu$ A
		$V_{11} = -0.1$ V; note 8	–250	–200	–100	$\mu$ A
$t_{W11}$	width of output clamping pulse	threshold $V_{11} = 3$ V	1	–	–	$\mu$ s
<b>Video signal inputs (channel 1: pin 6; channel 2: pin 8; channel 3: pin 10)</b>						
$V_{i(b-w)6,8,10}$	positive input signal referred to black		–	0.7	1.0	V
$I_{I6,8,10}$	DC input current	no input clamping; $V_{I6,8,10} = V_{I(clamp)6, 8, 10}$ ; $T_{amb} = -20$ to $+70$ °C	0.02	0.20	0.35	$\mu$ A
		during input clamping; $V_{I6,8,10} = V_{I(clamp)6,8,10} \pm 0.7$ V	$\pm 100$	$\pm 135$	$\pm 170$	$\mu$ A
<b>Signal blanking</b>						
$\alpha_{ct(blank)}$	crosstalk suppression from input to output during blanking	control bit DISV = 1; $f = 80$ MHz	20	–	–	dB
		control bit DISV = 1; $f = 120$ MHz	10	–	–	dB
<b>Clipping of negative input signals (measured at signal outputs)</b>						
$\Delta V_{clipp}$	offset during sync clipping related to nominal colour signal	$V_{I6,8,10} = V_{I(clamp)6,8,10}$ ; note 10; see Fig.3	–	–	2	%
<b>Contrast control; see Fig.8 and note 11</b>						
$d_C$	colour signal related to nominal colour signal	3FH (maximum)	–	4.2	–	dB
		26H (nominal)	–	0	–	dB
		00H (minimum)	–	–28	–	dB
$\Delta G_{track}$	tracking of output colour signals of channels 1, 2 and 3	3FH to 00H; note 12	–	0.0	0.5	dB

140 MHz video controller with I<sup>2</sup>C-bus

## TDA4886A

SYMBOL	PARAMETER	CONDITIONS	MIN.	TYP.	MAX.	UNIT
<b>Fast blanking (pin 1) and OSD signal insertion (channel 1: pin 2; channel 2: pin 3; channel 3: pin 4); note 13</b>						
V <sub>1</sub>	fast blanking input signal	no video signal blanking, OSD signal insertion disabled	0	–	1.1	V
		video signal blanking, OSD signal insertion enabled	1.7	–	V <sub>P</sub>	V
V <sub>2,3,4</sub>	OSD input signal	V <sub>1</sub> > 1.7 V no internal OSD signal insertion	0	–	1.1	V
		internal OSD signal insertion	1.7	–	V <sub>P</sub>	V
t <sub>r(OSD)</sub>	rise time of OSD colour signals (pins 22, 19 and 16)	10 to 90% amplitude; input pulse with 1.2 ns/V	–	–	4	ns
t <sub>f(OSD)</sub>	fall time of OSD colour signals (pins 22, 19 and 16)	90 to 10% amplitude; input pulse with 1.2 ns/V	–	–	7	ns
t <sub>g(CO)</sub>	width of (negative going) OSD signal insertion glitch, leading edge (pins 22, 19 and 16)	identical pulses at fast blanking input (pin 1) and OSD signal inputs (pins 2, 3 and 4)	0	–	6	ns
t <sub>g(OC)</sub>	width of (negative going) OSD signal insertion glitch, trailing edge (pins 22, 19 and 16)	identical pulses at fast blanking input (pin 1) and OSD signal inputs (pins 2, 3 and 4)	0	–	6	ns
dV <sub>OSD</sub>	overshoot/undershoot of OSD colour signal related to actual OSD output pulse amplitude (pins 22, 19 and 16)	pulse with 1.2 ns/V at OSD signal inputs (pins 2, 3 and 4)	–	–	30	%
V <sub>OSD(max)</sub>	maximum OSD colour signal related to nominal colour signal (pins 22, 19 and 16)	maximum OSD contrast; maximum gain	100	120	140	%
<b>OSD contrast control; see Fig.9 and note 14</b>						
d <sub>OC</sub>	OSD colour signal related to maximum OSD colour signal	0FH (maximum)	–	0	–	dB
		00H (minimum)	–14	–12	–10	dB
<b>Subcontrast adjustment, contrast modulation and beam current limiting (pin 24); see Fig.8 and note 15</b>						
V <sub>24(nom)</sub>	nominal input voltage	pin 24 open-circuit	4.7	5.0	5.3	V
V <sub>24(start)</sub>	starting voltage for contrast and OSD contrast reduction		4.2	4.5	4.8	V
V <sub>24(stop)</sub>	stop voltage for contrast and OSD contrast reduction	–32 dB below maximum colour signal (contrast setting 3FH)	1.5	2.0	2.5	V
B <sub>24</sub>	bandwidth of contrast modulation	–3 dB	4	–	–	MHz
I <sub>24(max)</sub>	maximum input current	V <sub>24</sub> = 0 V	–1.0	–	–	μA
<b>Brightness control; see Fig.10 and notes 16 and 17</b>						
ΔV <sub>bl</sub>	difference between black level and reference black level at signal outputs related to nominal colour signal	3FH (maximum)	25	30	35	%
		10H (nominal)	–	0	–	%
		00H (minimum)	–12	–10	–8	%

140 MHz video controller with I<sup>2</sup>C-bus

## TDA4886A

SYMBOL	PARAMETER	CONDITIONS	MIN.	TYP.	MAX.	UNIT
<b>Gain control; see Fig.11 and note 18</b>						
d <sub>G</sub>	video signal related to video signal at maximum gain	3FH (maximum)	–	0	–	dB
		00H (minimum)	–8.3	–7.3	–6.3	dB
<b>Pedestal blanking</b>						
ΔV <sub>22,19,16(PED)</sub>	difference from pedestal black level to video black level at nominal brightness, measured at signal output pins related to nominal colour signal	note 19; see Fig.5	–18	–16	–14	%
<b>Signal outputs (channel 1: pin 22; channel 2: pin 19; channel 3: pin 16)</b>						
V <sub>22,19,16(nom)</sub>	nominal colour signal	nominal contrast; maximum gain; V <sub>i(b-w)</sub> = 0.7 V; without load	2.5	2.8	3.1	V
V <sub>22,19,16(max)</sub>	maximum colour signal	maximum contrast; maximum gain; V <sub>i(b-w)</sub> = 0.7 V; without load	4.1	4.54	5	V
V <sub>22,19,16(min)</sub>	switch-off voltage (minimum output voltage level)		–	0.05	0.1	V
V <sub>22,19,16(top)</sub>	maximum output voltage level	at arbitrary input signals, contrast, brightness and gain adjustments; without load	V <sub>P</sub> – 2	–	V <sub>P</sub> – 1	V
R <sub>(o)22,19,16</sub>	output resistance		–	75	–	Ω
I <sub>22,19,16(source)</sub>	maximum source current		–15	–	–	mA
I <sub>22,19,16(M)(source)</sub>	peak source current	during fast positive signal transients	–40	–	–	mA
I <sub>22,19,16(sink)</sub>	maximum sink current (built-in current source)	output voltage V <sub>22,19,16</sub> ≈ 0.77 V; note 20	3.2	4	–	mA
		output voltage V <sub>22,19,16</sub> = 6 V; note 20	1.6	2	–	mA
I <sub>22,19,16(M)(sink)</sub>	peak sink current	during fast negative signal transients	–	–	20	mA
S/N	signal-to-noise ratio	note 21	44	–	–	dB
D <sub>22,19,16(th)</sub>	output thermal distortion	note 22	–	–	0.6	%

140 MHz video controller with I<sup>2</sup>C-bus

## TDA4886A

SYMBOL	PARAMETER	CONDITIONS	MIN.	TYP.	MAX.	UNIT
<b>Frequency response at signal outputs (channel 1: pin 22; channel 2: pin 19; channel 3: pin 16)</b>						
$\Delta G_{22,19,16(f)}$	amplification decrease by frequency response	f = 165 MHz; $V_{i(b-w)} \leq 0.2$ V (small signal)	–	1.2	3.0	dB
$t_{r(22,19,16)}$	rise time of fast transients	input rise time = 1 ns; 10 to 90% amplitude; nominal colour signal; note 23	–	2.8	3.1	ns
$t_{f(22,19,16)}$	fall time of fast transients	input fall time = 1 ns; 90 to 10% amplitude; nominal colour signal; note 23	–	3.8	4.1	ns
$dV_{22,19,16}$	overshoot of output signal pulse related to actual output pulse amplitude	input rise time = 1 ns; nominal colour signal	8	17	30	%
	undershoot of output signal pulse related to actual output pulse amplitude	input fall time = 1 ns; nominal colour signal	3	13	25	%
<b>Crosstalk at signal outputs (channel 1: pin 22; channel 2: pin 19; channel 3: pin 16)</b>						
$\alpha_{ct(tr)}$	transient crosstalk suppression	input rise/fall time = 1 ns; note 24	10	–	–	dB
$\alpha_{ct(f)}$	crosstalk suppression by frequency	f = 50 MHz	25	–	–	dB
		f = 100 MHz	10	–	–	dB
<b>Internal feedback reference voltage; see Fig.12 and note 25</b>						
$V_{ref(n)}$	internal reference voltage for negative feedback polarity	FFH (minimum); FPOL = 0	3.85	4.05	4.2	V
		00H (maximum); FPOL = 0	5.6	5.77	5.9	V
$V_{ref(p)}$	internal reference voltage for positive feedback polarity	FPOL = 1				
		BLH2 = 0; BLH1 = 0	0.71	0.77	0.83	V
		BLH2 = 0; BLH1 = 1	0.95	1.01	1.07	V
		BLH2 = 1; BLH1 = 0	1.19	1.25	1.31	V
		BLH2 = 1; BLH1 = 1	1.43	1.49	1.55	V
<b>Output clamping, feedback inputs for DC coupling (channel 1: pin 23; channel 2: pin 20; channel 3: pin 17)</b>						
$I_{23,20,17(max)}$	maximum input current	during output clamping; $V_{11} > 3.5$ V; $V_{23,20,17} = 0.5$ V; FPOL = 0	–500	–200	–60	nA
$V_{22,19,16(rbl)(min)}$	minimum reference black level	PEDST = 0; $V_{11} > 3.5$ V; FPOL = 0	0.01	0.1	0.5	V
	minimum pedestal black level	PEDST = 1; $V_{11} > 3.5$ V; FPOL = 0	0.01	0.1	0.5	V
$V_{22,19,16(rbl)(max)}$	maximum reference black level	PEDST = 0; $V_{11} > 3.5$ V; FPOL = 0	2.4	2.8	–	V
	maximum pedestal black level	PEDST = 1; $V_{11} > 3.5$ V; FPOL = 0	2.4	2.8	–	V
$\Delta V_{bl(CRT)}$	black level variation at CRT	FPOL = 0; note 26	–	–	200	mV

140 MHz video controller with I<sup>2</sup>C-bus

## TDA4886A

SYMBOL	PARAMETER	CONDITIONS	MIN.	TYP.	MAX.	UNIT
$\Delta V_{22,19,16(bl)}(lf)$	black level variation between clamping pulses related to nominal colour signal	FPOL = 0; line frequency = 60 kHz; 10% duty cycle	–	0.25	0.5	%
<b>Output clamping for AC coupling (internal feedback of signal outputs)</b>						
$V_{22,19,16(rbl)}$	reference black level	$V_{11} > 3.5$ V; FPOL = 1; PEDST = 0 BLH2 = 0; BLH1 = 0	0.71	0.77	0.83	V
		BLH2 = 0; BLH1 = 1	0.95	1.01	1.07	V
		BLH2 = 1; BLH1 = 0	1.19	1.25	1.31	V
		BLH2 = 1; BLH1 = 1	1.43	1.49	1.55	V
	pedestal black level	$V_{11} > 3.5$ V; FPOL = 1; PEDST = 1 BLH2 = 0; BLH1 = 0	0.71	0.77	0.83	V
		BLH2 = 0; BLH1 = 1	0.95	1.01	1.07	V
		BLH2 = 1; BLH1 = 0	1.19	1.25	1.31	V
		BLH2 = 1; BLH1 = 1	1.43	1.49	1.55	V
$\Delta V_{22,19,16(bl)}(lf)$	black level variation between clamping pulses related to nominal colour signal	FPOL = 1; line frequency = 60 kHz; 10% duty cycle	–	0.25	0.5	%
<b>External reference voltages for AC coupling (FB/R<sub>1</sub>: pin 23; FB/R<sub>2</sub>: pin 20; FB/R<sub>3</sub>: pin 17); see Fig.13 and note 27</b>						
$V_{23,20,17}$	external reference voltage	FFH (minimum); FPOL = 1	3.85	4.05	4.2	V
		00H (maximum); FPOL = 1	5.6	5.77	5.9	V
$R_{23,20,17}$	output resistance	FPOL = 1	–	100	–	$\Omega$
$I_{23,20,17(sink)}$	maximum sink current	FPOL = 1	–	–	400	$\mu$ A
$I_{23,20,17(source)}$	maximum source current	FPOL = 1	–	–330	–280	$\mu$ A
<b>I<sup>2</sup>C-bus inputs (SDA: pin 12; SCL: pin 13); note 28</b>						
$f_{SCL}$	SCL clock frequency		–	–	100	kHz
$V_{IL}$	LOW-level input voltage		0.0	–	1.5	V
$V_{IH}$	HIGH-level input voltage		3.0	–	5.0	V
$I_{IL}$	LOW-level input current	$V_{IL} = 0$ V	–10	–	–	$\mu$ A
$I_{IH}$	HIGH-level input current	$V_{IH} = 5$ V	–10	–	–	$\mu$ A
$V_{OL}$	LOW-level output voltage	during acknowledge	0.0	–	0.4	V
$I_{12(ack)}$	output current at pin 12 during acknowledge	$V_{OL} = 0.4$ V	3.0	–	5.0	mA
$V_{th(POR)(r)}$	threshold for power-on reset on	rising supply voltage	–	1.5	2.0	V
		falling supply voltage	–	3.5	–	V
$V_{th(POR)(f)}$	threshold for power-on reset off	rising supply voltage	–	–	7.0	V
		falling supply voltage	–	1.5	–	V



140 MHz video controller with I<sup>2</sup>C-bus

TDA4886A

**Notes to the characteristics**

1. Definition of levels (see Figs 3 to 5)

**Reference black level:** this is the level to which the input level is clamped during the input clamping pulse ( $V_5 > 3.5$  V). It is used internally as a reference for the gain settings. It can be observed on the outputs:

- a) When the input is at black and the brightness setting is nominal (subaddress 01H = 10H)
- b) During output blanking/clamping ( $V_{11} > 3.5$  V) if control bit PEDST = 0.

**Video black level:** this is the black level of the actual video. On the input it is still equal to the reference black level. On the output it may deviate from it according to the brightness setting. Contrast setting leaves the video black level unaltered. Gain setting biases the video black level due to its influence on brightness. This is important for correct grey scale tracking.

**Pedestal black level:** this is an ultra black level which deviates from reference black level by a fixed amount. It can be observed on the output during output blanking/clamping ( $V_{11} > 3.5$  V) if control bit PEDST = 1.

**Switch-off voltage:** this is the lowest signal voltage at outputs. The signals will be switched off by discharging the internal black level storage capacitors if the supply voltage is less than  $V_{PSO}$ .

**Blanking level:** this level equals reference black (control bit PEDST = 0) or pedestal black (control bit PEDST = 1).

2. Explanation to black level adjustment:

The three reference black levels are aligned correctly when they are made equal to the 'extended cut-off levels' of the three cathodes. Full raster and spot cut-off can only be achieved by enabling the pedestal blanking or by applying a negative pulse to the control grid G1.

**Negative feedback for DC-coupled cathodes (control bit FPOL = 0):** the actual blanking level on the outputs depends on the external feedback application for output clamping. The loop will function correctly only if it is within the control range of  $V_{22,19,16(rbl)(min)}$  to  $V_{22,19,16(rbl)(max)}$ . It should be noted that changing control bit PEDST in a given application will not affect the blanking level, but instead shifts the video (and needs re-alignment of the three black levels).

**Positive feedback for AC-coupled cathodes (control bit FPOL = 1):** the feedback loop for output clamping is closed internally. The actual blanking level at the outputs depends on control bits BLH2 and BLH1 only. Four discrete blanking levels between approximately 0.75 and 1.5 V can be chosen. It should be noted that changing control bit PEDST will not affect the blanking level selected by control bits BLH2 and BLH1, but instead shifts the video (and needs re-alignment of the three black levels).

3. Definition of output signals (see Fig.6):

**Colour signal:** all positive voltages referred to black level at signal outputs.

**Nominal colour signal:** colour signal with nominal input signal ( $0.7 V_{b-w}$ ), nominal contrast setting and maximum gain setting.

**Video signal:** all positive voltages referred to reference black level at signal outputs. The video signal is the superimposing of the brightness information ( $\Delta V_{bl}$ ) and the colour signal.

4. The total supply current  $I_P = I_7 + I_{21} + I_{18} + I_{15}$  depends on the supply voltage with a factor of approximately 4.4 mA/V and varies in the temperature range from  $-20$  to  $+70$  °C by approximately  $\pm 5\%$  ( $V_{22,19,16} = 0.77$  V).
5. The channel supply current depends on the signal output current, the channel supply voltage and the signal output voltage. With  $I_{px} = I_{21,18,15}$  at  $V_{P1,2,3} = 8$  V and  $V_{22,19,16} = 0.77$  V:

$$I_{21,18,15} \approx I_{px} + I_{22,19,16} + 4.4 \frac{\text{mA}}{\text{V}} \times (V_{P1,2,3} - 8 \text{ V}) - 1 \frac{\text{mA}}{\text{V}} \times (V_{22,19,16} - 0.77 \text{ V})$$

140 MHz video controller with I<sup>2</sup>C-bus

## TDA4886A

6. Pin 5 should be used for input clamping and blanking during vertical retrace (signal blanking, brightness blanking and if control bit PEDST = 1 pedestal blanking). With a fast clamping pulse (transition between  $V_5 = 1.2$  to  $3.5$  V and vice versa in less than  $75$  ns/V) no blanking will occur during input clamping.

For  $75$  ns/V  $< t_{r/f5} \leq 280$  ns/V the generation of the internal vertical blanking pulse is uncertain. For  $t_{r/f5} > 280$  ns/V the internal blanking pulse will be generated.

Pin 5 open-circuited will activate permanent input clamping and undefined blanking.

7. Pin 5 can be used to synchronize all adjustments via the I<sup>2</sup>C-bus (one by one). In case of a completed I<sup>2</sup>C-bus transmission in buffered mode only the leading edge of a vertical blanking pulse activates an adjustment. See also Section 7.10.

After the adjustment has been activated (validation of buffered I<sup>2</sup>C-bus data) the I<sup>2</sup>C-bus will be reset and further transmissions in direct or buffered mode are enabled.

I<sup>2</sup>C-bus transmissions in direct mode need no synchronization pulses.

8. Input voltages less than  $-0.1$  V can produce internal substrate currents which disturb the leakage currents at the signal inputs. An internal protection circuit creates a current for pin voltages of approximately  $0$  V or less. Feeding clamping/blanking pulses via a resistor of some k $\Omega$  protects the pin from negative voltages.
9. Pin 11 should be used for output clamping and/or blanking. Pin 11 open-circuited will activate permanent blanking and output clamping.
10. Composite signals will not disturb normal operations because an internal clipping circuit cuts all signal parts below input reference black level (see Fig.3).
11. Contrast control acts on internal colour signals under I<sup>2</sup>C-bus control; subaddress 02H (bit resolution 1.6% of contrast range).

$$12. \Delta G_{\text{track}} = 20 \times \text{maximum of } \left\{ \left| \log \left( \frac{A_1}{A_{10}} \times \frac{A_{20}}{A_2} \right) \right|; \left| \log \left( \frac{A_1}{A_{10}} \times \frac{A_{30}}{A_3} \right) \right|; \left| \log \left( \frac{A_2}{A_{20}} \times \frac{A_{30}}{A_3} \right) \right| \right\} \text{ dB}$$

$A_n$ : colour signal output amplitude in channel  $n = 1, 2$  or  $3$  at any contrast setting.

$A_{n0}$ : colour signal output amplitude in channel  $n = 1, 2$  or  $3$  at nominal contrast setting and same gain setting.

13. When OSD fast blanking is active and  $V_{2,3,4}$  are HIGH ( $V_1 > 1.7$  V,  $V_{2,3,4} > 1.7$  V) the OSD colour signals will be inserted in front of the gain potentiometers. This assures a correct grey scale of all video signals. The amplitudes of the inserted OSD signals can be controlled simultaneously by OSD contrast via the I<sup>2</sup>C-bus.
14. OSD contrast control acts on inserted OSD colour signals under I<sup>2</sup>C-bus control; subaddress 03H (bit resolution 6.7% of OSD contrast range).
15. This pin can be used for subcontrast setting, beam current limiting and contrast modulation. Both the video and OSD contrast are reduced simultaneously (see Figs 8 and 9). Because of the high-ohmic input impedance the pin should be tied to a voltage of more than  $5$  V or applied with a capacitor of some nF if not used.
16. Brightness control adds an I<sup>2</sup>C-bus controlled DC offset to the internal colour signal; subaddress 01H (bit resolution 1.6% of brightness range).
17. The voltage difference between video black level and reference black level is related to the colour signal (see note 3) with nominal  $0.7$  V (p-p) input signal, at nominal contrast (subaddress 02H = 26H) and for any gain setting. The voltage difference (in Volts) is proportional to the gain setting (grey scale tracking). Therefore  $\Delta V_{bl}$  (in percent) is constant for any gain setting. The given values of  $\Delta V_{bl}$  are valid only for video black levels higher than the signal output switch-off voltage  $V_{22,19,16(\text{min})}$ .
18. Gain control acts on video signals and inserted OSD video signals under I<sup>2</sup>C-bus control; subaddress 04H (channel 1), 05H (channel 2) and 06H (channel 3; bit resolution 1.6% of gain range respectively).

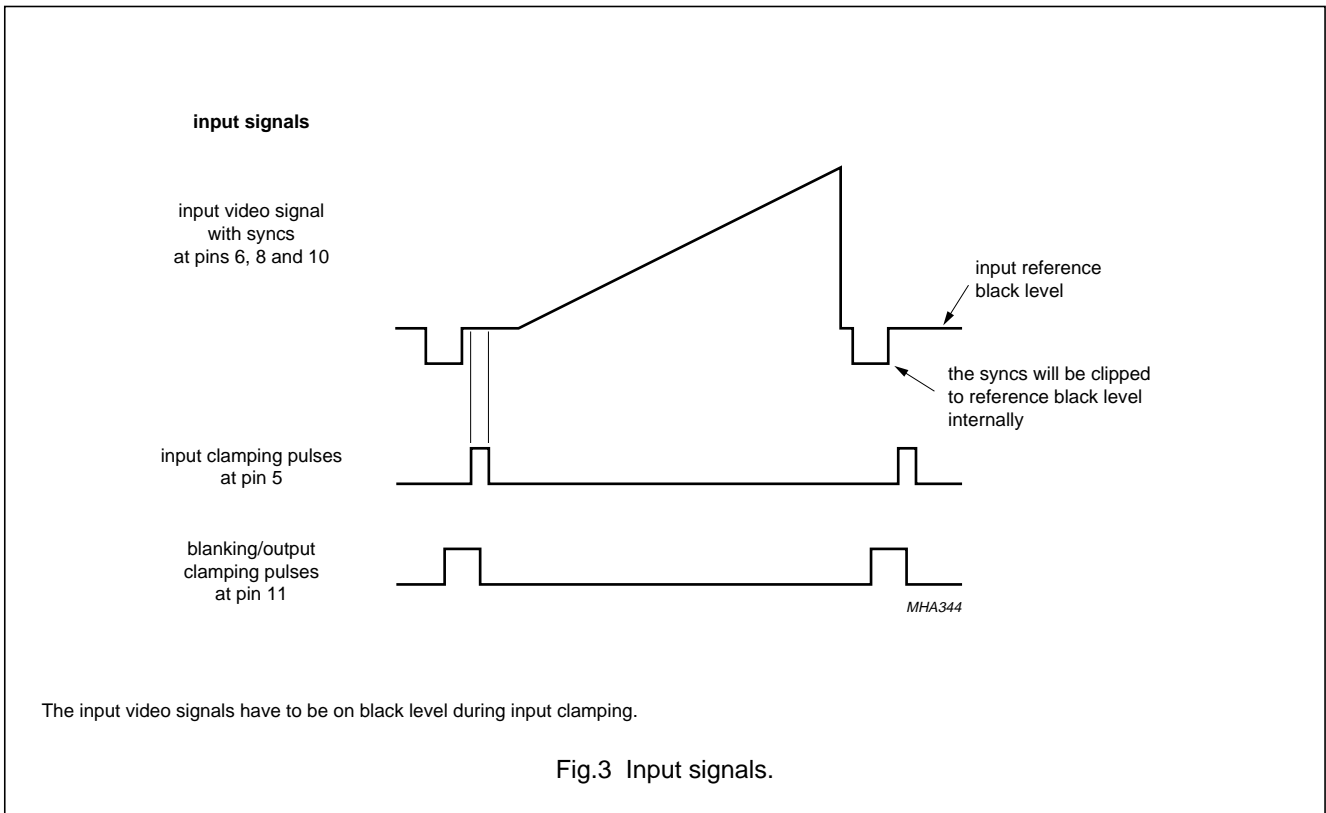
140 MHz video controller with I<sup>2</sup>C-bus

## TDA4886A

19. Pedestal blanking produces an ultra black level during blanking and output clamping which is the most negative signal at the signal output pins. The reference black level which should correspond to the 'extended cut-off voltage' at the cathodes is approximately  $\Delta V_{22,19,16(\text{PED})}$  higher (see Fig.5). The use of **pedestal blanking** with AC-coupled cathodes (control bit FPOL = 1) allows a very simple black level restoration with a DC diode clamp instead of a complicated pulse restoration circuit.
20. DC load currents of signal outputs must not exceed maximum sink currents, otherwise signal distortions may occur.
21. The signal-to-noise ratio is calculated by the formula (range 1 to 120 MHz):
- $$\frac{S}{N} = 20 \times \log \frac{\text{peak-to-peak value of the nominal signal output voltage}}{\text{RMS value of the noise output voltage}} \text{ dB}$$
22. Large output currents e.g.  $I_{22,19,16(\text{M})(\text{source})}$  lead to signal depending power dissipation in output transistors. Thermal  $V_{\text{BE}}$  variation is compensated.
23. Following formula can be used to approximately determine the output rise/fall time for any other input rise/fall time:
- $$t_{\text{r/f, measured}}^2 = t_{\text{r/f}(22,19,16)}^2 + \left( t_{\text{r/f, input}}^2 - (1 \text{ ns})^2 \right)$$
24. Transient crosstalk between any two output pins:
- Input conditions:** any channel (channel A) with nominal input signal and 1 ns rise time. The inputs of the other two channels are capacitively coupled to ground (channel B). Gain setting to maximum (3FH). Contrast setting to nominal (26H). No limiting/modulation of contrast ( $V_{24} \geq 5 \text{ V}$ )
  - Output conditions:** black level set to approximately 0.77 V for each channel at signal outputs. Output signals are  $V_A$  and  $V_B$  respectively
  - Transient crosstalk suppression:**  $\alpha_{\text{ct}(tr)} = 20 \times \log \frac{V_A}{V_B} \text{ dB}$
25. The internal feedback reference voltages are not influenced by the value of control bit PEDST but depend on the individual adjustments via the I<sup>2</sup>C-bus, the selected feedback polarity (control bit FPOL = 0 or 1) and the selected black level for positive feedback polarity (control bit FPOL = 1 and control bits BLH2 = 0 or 1 and BLH1 = 0 or 1):
- Control bit FPOL = 0:** the internal feedback reference voltage acts under I<sup>2</sup>C-bus control; subaddress 07H (channel 1), 08H (channel 2) and 09H (channel 3; bit resolution 0.4% of voltage range). Rising values of the data bytes, e.g. 00H to FFH, correspond to rising values of the resulting reference black levels at signal outputs (pins 22, 19 and 16). The internal feedback reference voltages can be measured at feedback inputs (pins 23, 20 and 17) during output clamping ( $V_{11} > 3.5 \text{ V}$ ) in closed feedback loop. The feedback loop remains operative at reference black levels between the specified values of  $V_{22,19,16(\text{rbl})(\text{min})}$  and  $V_{22,19,16(\text{rbl})(\text{max})}$ .
- Control bit FPOL = 1:** the internal feedback reference voltage can be measured at signal outputs (pins 22, 19 and 16) during output clamping ( $V_{11} > 3.5 \text{ V}$ ). By means of control bits BLH2 and BLH1 it is possible to choose one of the four specified values between approximately 0.75 and 1.5 V. This facilitates the adaption to different kinds of post amplifiers.
26. Slow variations of video supply voltage  $V_{\text{CRT}}$  will be suppressed at the CRT cathode by the clamping feedback loop. A change of  $V_{\text{CRT}}$  with 5 V leads to a specified change of the cathode voltage.
27. The external reference voltages act under I<sup>2</sup>C-bus control for control bit FPOL = 1; subaddress 07H (FB/R<sub>1</sub>), 08H (FB/R<sub>2</sub>) and 09H (FB/R<sub>3</sub>; bit resolution 0.4% of voltage range).
28. All adjustments via the I<sup>2</sup>C-bus can be synchronized with vertical blanking pulse at pin CLI. This is called I<sup>2</sup>C-bus transmission in buffered mode. The adjustments via the I<sup>2</sup>C-bus will take effect immediately in the so called direct mode.
- The timing of I<sup>2</sup>C-bus transmissions in buffered mode is related to the vertical blanking. See specification of pin 5 (vertical blanking input) and note 7.

140 MHz video controller with I<sup>2</sup>C-bus

TDA4886A



140 MHz video controller with I<sup>2</sup>C-bus

TDA4886A

blanking pulse,  
output clamping pulse  
at pin 11

**blanking signal**

**output signals**  
pins 22, 19 and 16

maximum gain setting,  
nominal contrast setting,  
maximum/nominal/minimum  
brightness setting

switch-off voltage  
ground

video black levels at  
maximum brightness  
nominal brightness  
minimum brightness

reference black level

maximum gain setting,  
maximum brightness setting,  
maximum/nominal/minimum  
contrast setting

switch-off voltage  
ground

video black level  
(maximum brightness)

reference black level

maximum brightness setting,  
nominal contrast setting,  
maximum/minimum  
gain setting

switch-off voltage  
ground

video black level  
(maximum brightness)

reference black level

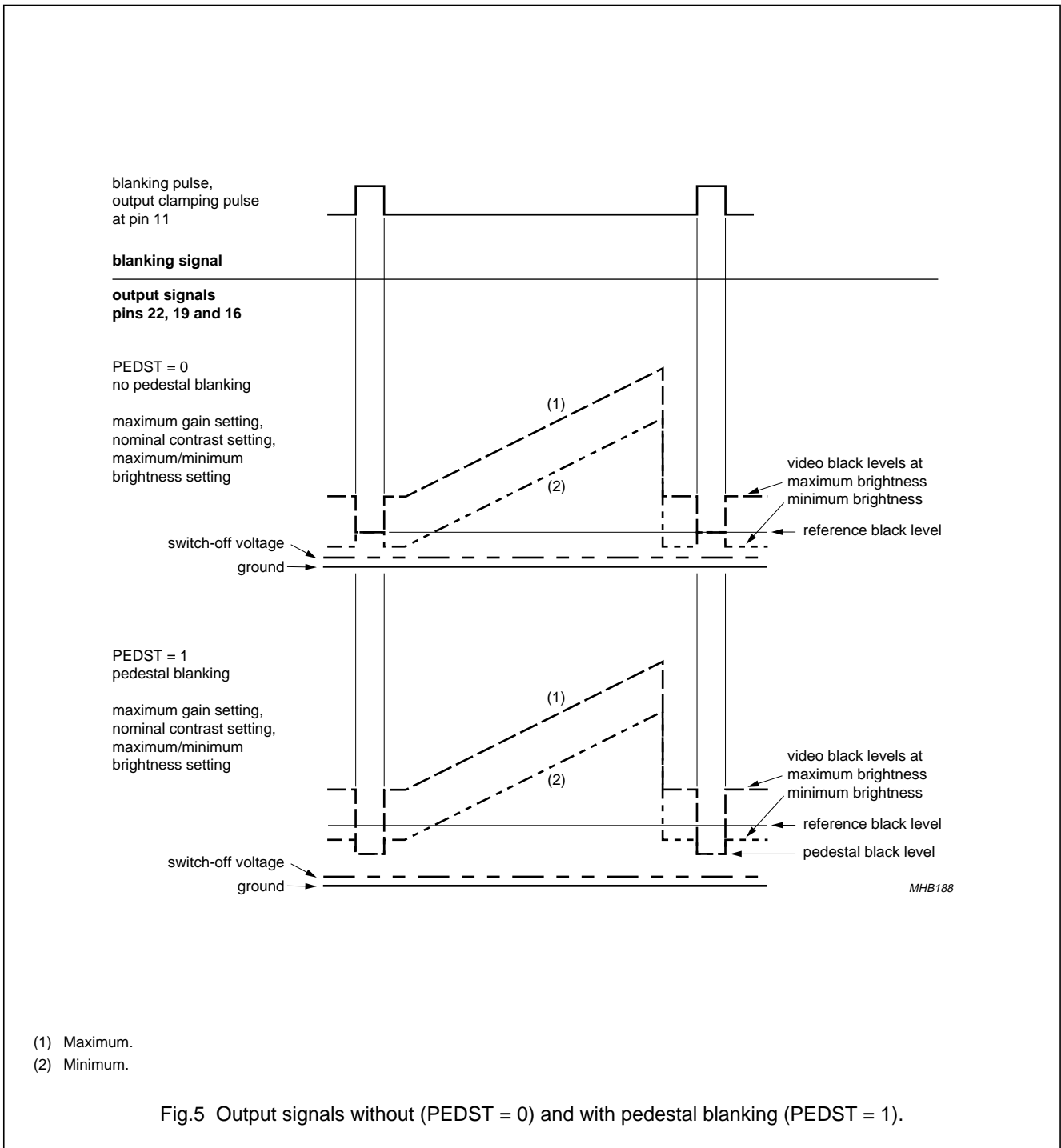
MHB187

- (1) Maximum.
- (2) Nominal.
- (3) Minimum.

Fig.4 Definition of levels, function of brightness setting, contrast setting, gain setting, no pedestal blanking (PEDST = 0).

140 MHz video controller with I<sup>2</sup>C-bus

TDA4886A

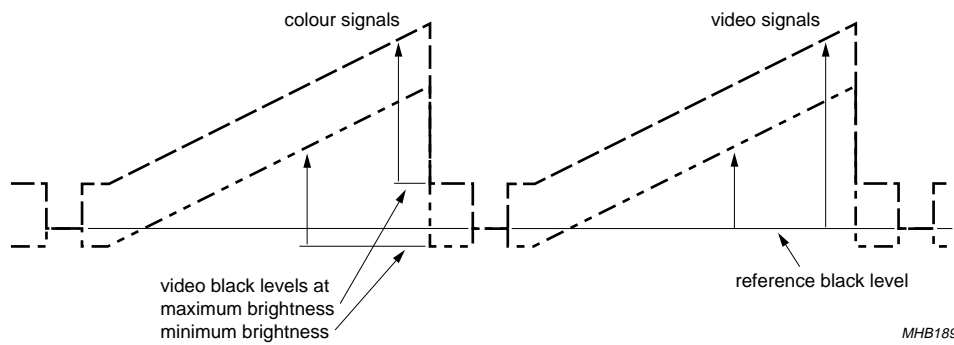


140 MHz video controller with I<sup>2</sup>C-bus

TDA4886A

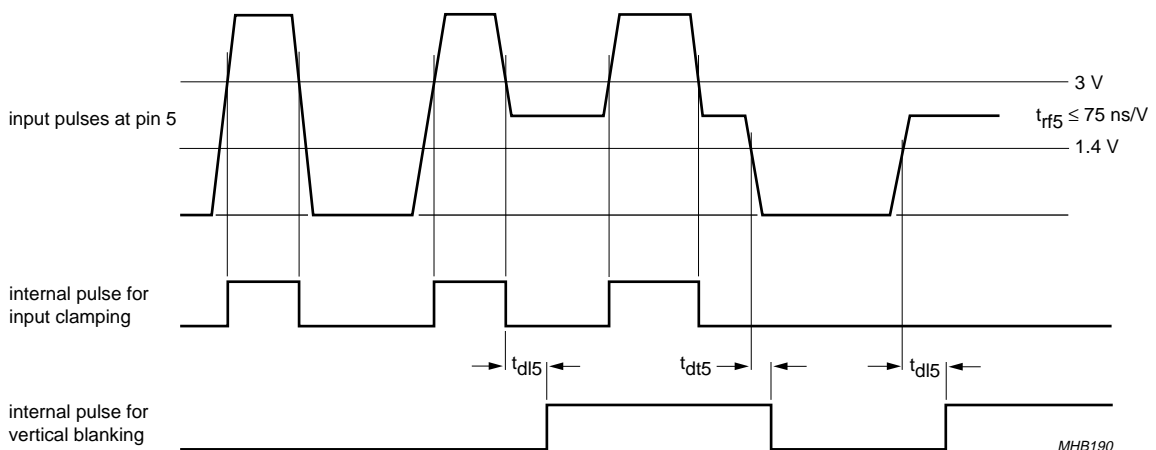
**output signals**  
pins 22, 19 and 16

PEDEST = 0  
no pedestal blanking  
  
maximum gain setting,  
nominal contrast setting,  
maximum/minimum  
brightness setting



MHB189

Fig.6 Definition of output signals.

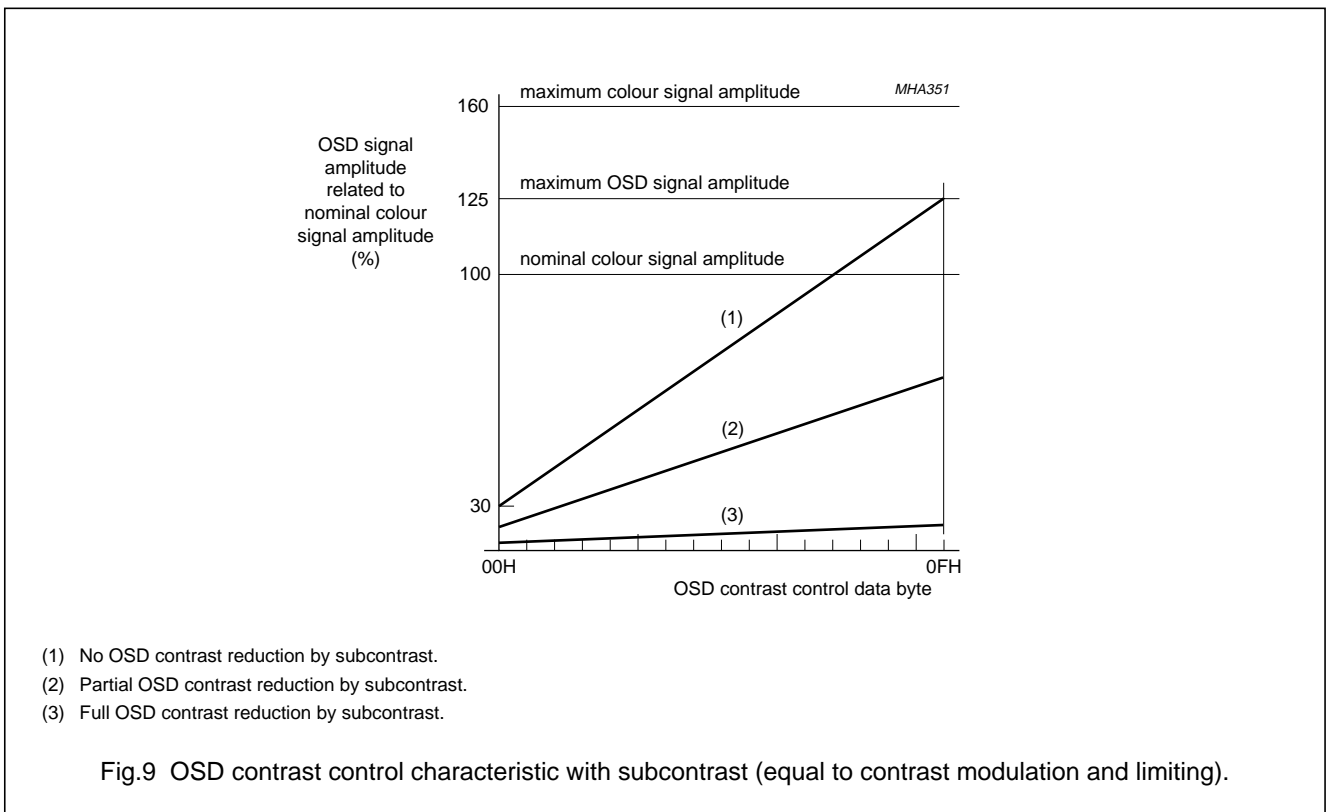
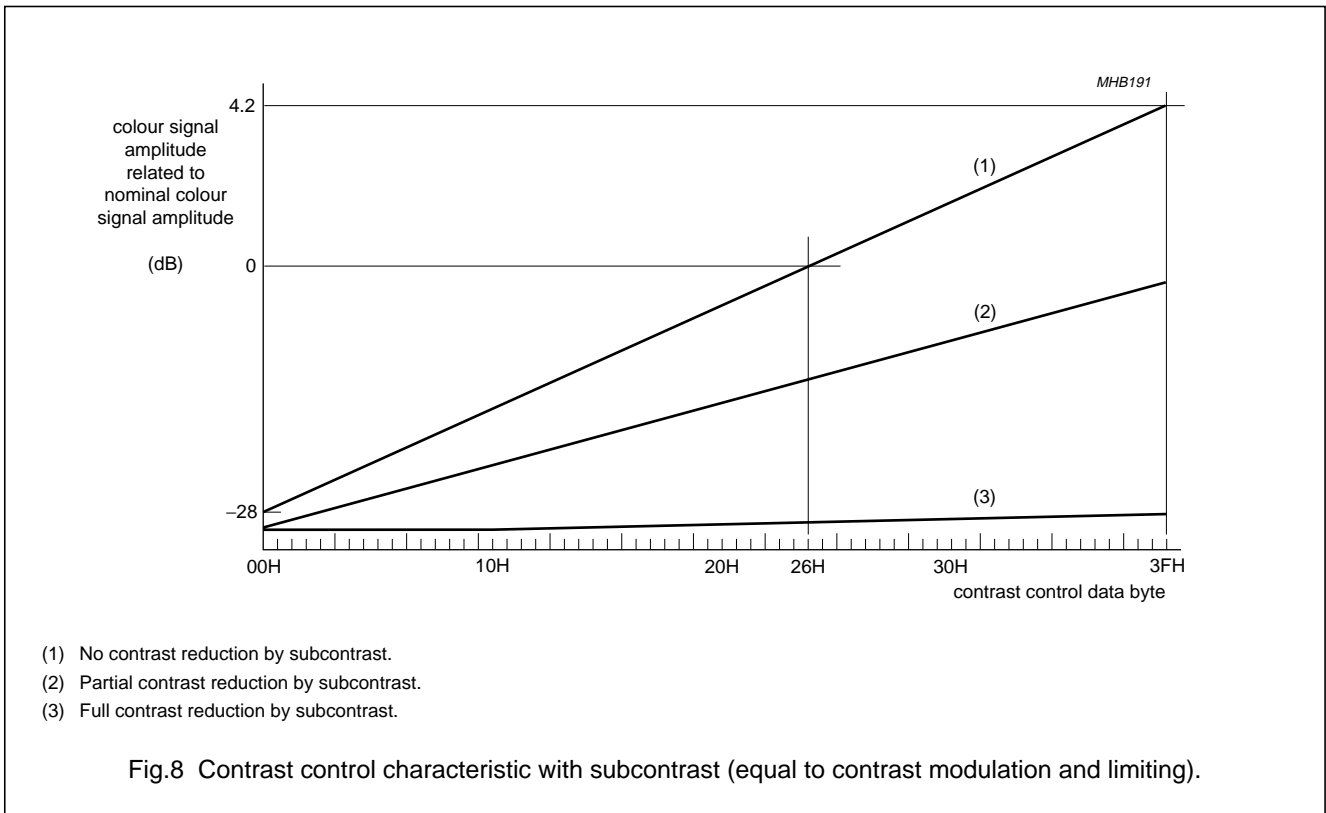


MHB190

Fig.7 Timing of pulses at pin 5 and derived internal pulses.

140 MHz video controller with I<sup>2</sup>C-bus

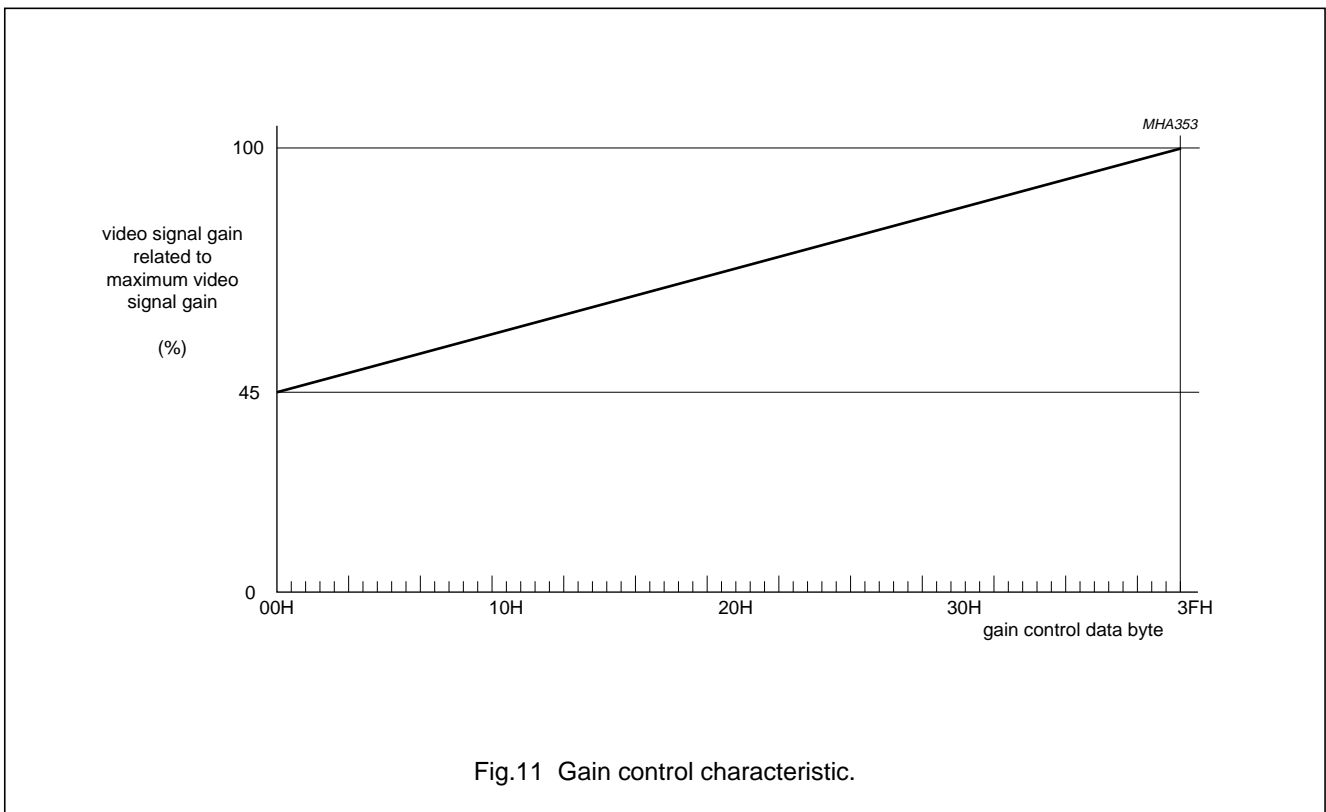
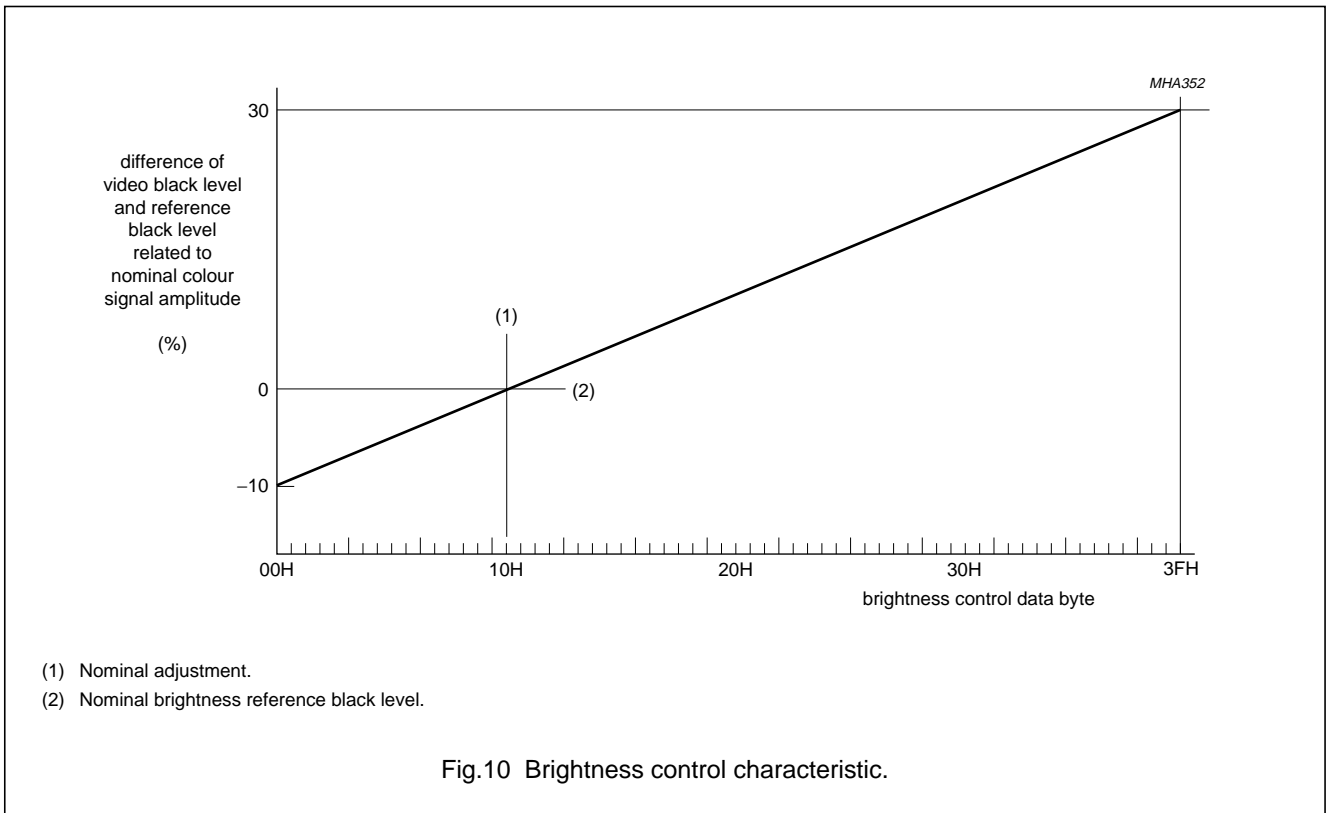
TDA4886A





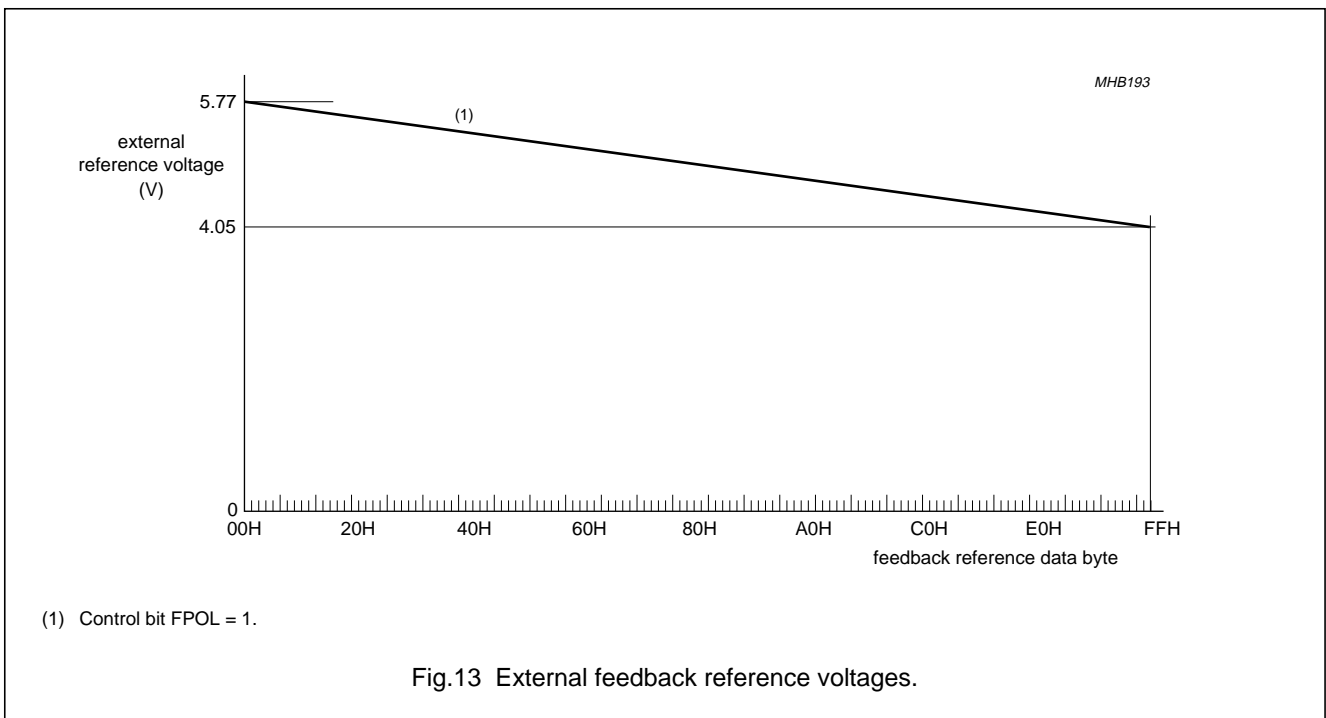
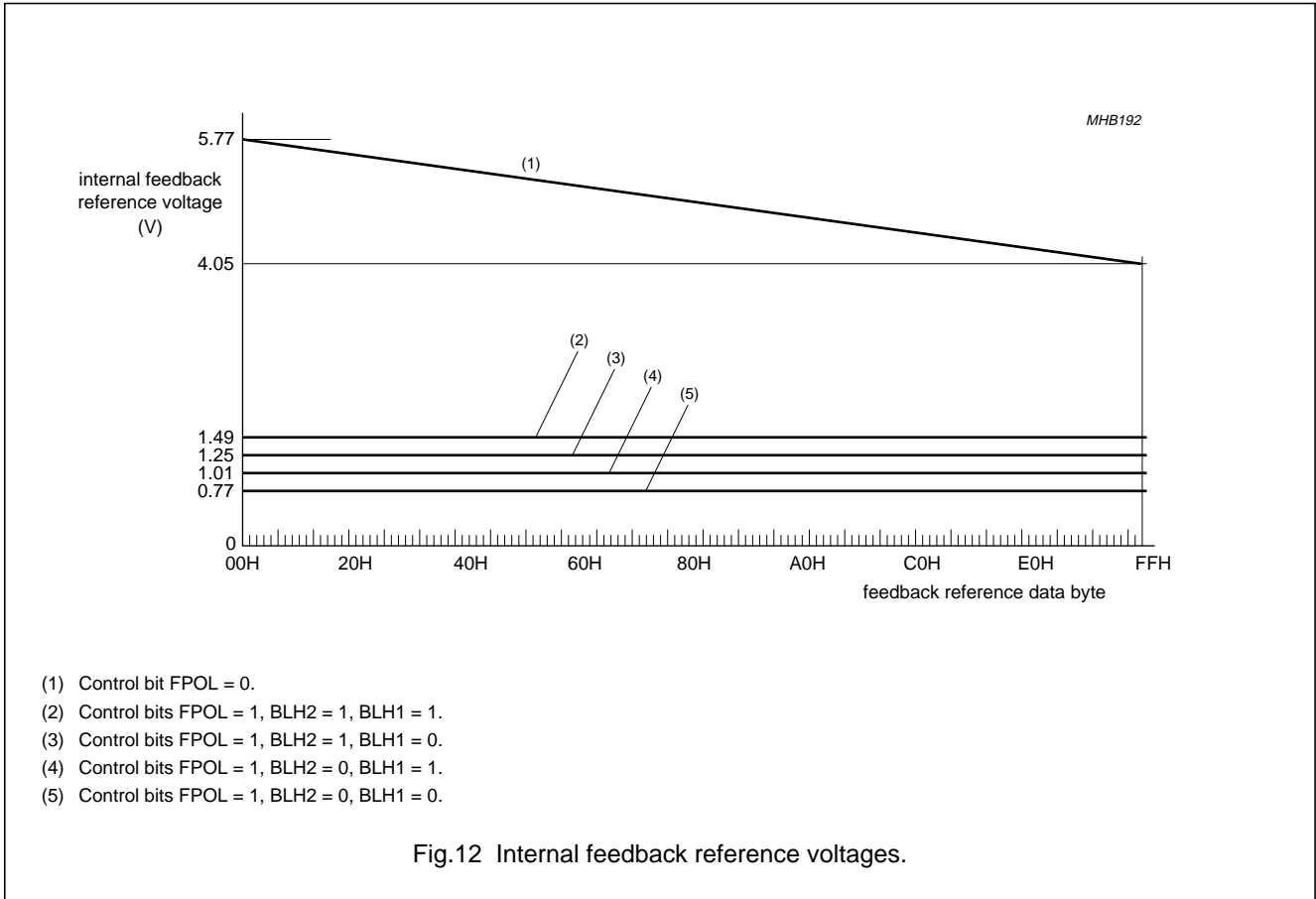
140 MHz video controller with I<sup>2</sup>C-bus

TDA4886A



140 MHz video controller with I<sup>2</sup>C-bus

TDA4886A



140 MHz video controller with I<sup>2</sup>C-bus

TDA4886A

**11 I<sup>2</sup>C-BUS PROTOCOL****Table 1** Slave address

A6 <sup>(1)</sup>	A5 <sup>(1)</sup>	A4 <sup>(1)</sup>	A3 <sup>(1)</sup>	A2 <sup>(1)</sup>	A1 <sup>(1)</sup>	A0 <sup>(1)</sup>	$\overline{W}$ <sup>(2)</sup>
1	0	0	0	1	0	0	0

**Notes**

1. Address bit.
2. Write bit.

**Table 2** Slave receiver format

S <sup>(1)</sup>	SLAVE ADDRESS A <sup>(2)</sup>	SUBADDRESS A <sup>(3)</sup>	DATA BYTE A <sup>(4)</sup>	P <sup>(5)</sup>
------------------	--------------------------------	-----------------------------	----------------------------	------------------

**Notes**

1. START condition.
2. A = acknowledge.
3. All subaddresses within the range 00H to 09H are automatically incremented. The subaddress counter wraps around from 09H to 00H. For subaddresses within the range 80H to 8FH no auto-increment takes place. Subaddresses outside the ranges 00H to 0FH and 80H to 8FH are acknowledged by the device but neither auto-increment nor any other internal operation takes place.
4. Single data byte in case of no auto-increment of subaddresses. More than one data byte with auto-increment of subaddresses.
5. STOP condition.

140 MHz video controller with I<sup>2</sup>C-bus

## TDA4886A

**Table 3** Subaddress byte format

FUNCTION	SUBADDRESS <sup>(1)</sup>		SUBADDRESS BYTE								
	DIRECT MODE	BUFFERED MODE	S7 <sup>(2)</sup>	S6 <sup>(2)</sup>	S5 <sup>(2)</sup>	S4 <sup>(2)</sup>	S3 <sup>(2)</sup>	S2 <sup>(2)</sup>	S1 <sup>(2)</sup>	S0 <sup>(2)</sup>	
Control register	00H	80H	B <sup>(3)</sup>	0	0	0	0	0	0	0	0
Brightness control	01H	81H	B <sup>(3)</sup>	0	0	0	0	0	0	0	1
Contrast control	02H	82H	B <sup>(3)</sup>	0	0	0	0	0	0	1	0
OSD contrast control	03H	83H	B <sup>(3)</sup>	0	0	0	0	0	0	1	1
Gain control channel 1	04H	84H	B <sup>(3)</sup>	0	0	0	0	0	1	0	0
Gain control channel 2	05H	85H	B <sup>(3)</sup>	0	0	0	0	0	1	0	1
Gain control channel 3	06H	86H	B <sup>(3)</sup>	0	0	0	0	0	1	1	0
Black level reference channel 1	07H	87H	B <sup>(3)</sup>	0	0	0	0	0	1	1	1
Black level reference channel 2	08H	88H	B <sup>(3)</sup>	0	0	0	0	1	0	0	0
Black level reference channel 3	09H	89H	B <sup>(3)</sup>	0	0	0	0	1	0	0	1
	0AH to 0FH	8AH to 8FH	not used								

**Notes**

1. The most significant bit (MSB) of the subaddress enables an I<sup>2</sup>C-bus transmission in direct or in buffered mode (see note 3). Subaddresses outside the ranges 00H to 0FH and 80H to 8FH are not used.
2. Subaddress bit.
3. Most significant bit of subaddress byte. I<sup>2</sup>C-bus transmission in **direct mode: B = 0**. I<sup>2</sup>C-bus transmission in **buffered mode: B = 1**.

140 MHz video controller with I<sup>2</sup>C-bus

## TDA4886A

**Table 4** Subaddress and data byte format

FUNCTION	SUBADDRESS <sup>(1)</sup>		DATA BYTE <sup>(2)</sup>								NOMINAL VALUE <sup>(3)</sup>
	DIRECT MODE	BUFFERED MODE	D7 <sup>(4)</sup>	D6 <sup>(4)</sup>	D5 <sup>(4)</sup>	D4 <sup>(4)</sup>	D3 <sup>(4)</sup>	D2 <sup>(4)</sup>	D1 <sup>(4)</sup>	D0 <sup>(4)</sup>	
Control register	00H	80H	X <sup>(5)</sup>	X <sup>(5)</sup>	BLH2	BLH1	FPOL	DISV	DISO	PEDST	08H
Brightness control	01H	81H	X <sup>(5)</sup>	X <sup>(5)</sup>	A15	A14	A13	A12	A11	A10	10H
Contrast control	02H	82H	X <sup>(5)</sup>	X <sup>(5)</sup>	A25	A24	A23	A22	A21	A20	26H
OSD contrast control	03H	83H	X <sup>(5)</sup>	X <sup>(5)</sup>	X <sup>(5)</sup>	X <sup>(5)</sup>	A33	A32	A31	A30	0FH
Gain control channel 1	04H	84H	X <sup>(5)</sup>	X <sup>(5)</sup>	A45	A44	A43	A42	A41	A40	3FH
Gain control channel 2	05H	85H	X <sup>(5)</sup>	X <sup>(5)</sup>	A55	A54	A53	A52	A51	A50	3FH
Gain control channel 3	06H	86H	X <sup>(5)</sup>	X <sup>(5)</sup>	A65	A64	A63	A62	A61	A60	3FH
Black level reference channel 1	07H	87H	A77	A76	A75	A74	A73	A72	A71	A70	–
Black level reference channel 2	08H	88H	A87	A86	A85	A84	A83	A82	A81	A80	–
Black level reference channel 3	09H	89H	A97	A96	A95	A94	A93	A92	A91	A90	–

**Notes**

1. See Table 3 (Subaddress byte format).
2. The least significant bit (LSB) of an analog alignment register is defined as AX0 (data bit D0).
3. Under certain conditions the nominal values lead to nominal colour signals etc. (see note 3 of Chapter "Characteristics").

After power-up and after internal power-on reset of the I<sup>2</sup>C-bus the registers are set to the following values:

- a) Control bit FPOL to logic 1.
  - b) Control bits BLH2, BLH1, DISV, DISO and PEDST to logic 0.
  - c) All other alignment registers to logic 0 (minimum value for control registers).
4. Data bit.
  5. X means don't care but for software compatibility with other video ICs with the same slave address, they are preferably set to logic 0.

140 MHz video controller with I<sup>2</sup>C-bus

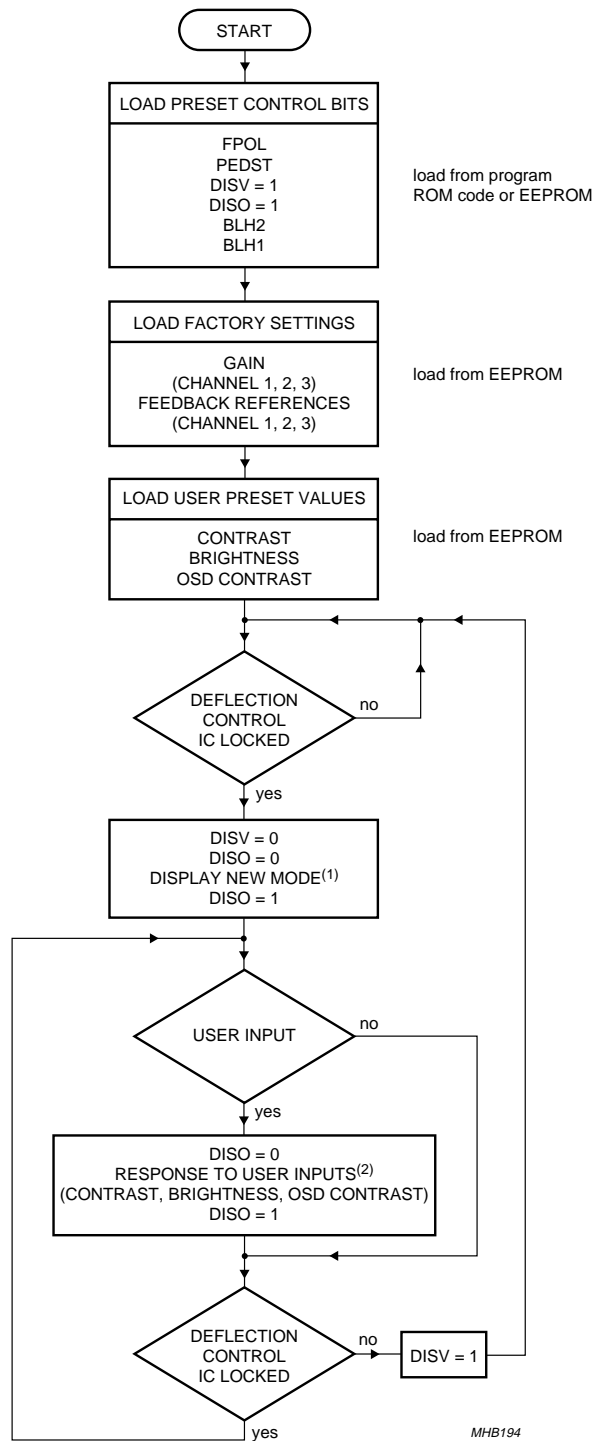
TDA4886A

**Table 5** Control register

BIT		FUNCTION
PEDST = 0		no pedestal blanking
PEDST = 1		pedestal blanking enabled
DISO = 0		OSD signals enabled
DISO = 1		OSD signals disabled
DISV = 0		video signals enabled
DISV = 1		video signals disabled
FPOL = 0		negative feedback polarity; pins 23, 20 and 17 as external feedback inputs; no external feedback reference voltages
FPOL = 1		positive feedback polarity; pins 23, 20 and 17 as external reference voltage outputs; internal feedback of signal outputs
BLH2 = 0	BLH1 = 0	for positive feedback polarity only: internal feedback reference voltage switched to approximately 0.75 V
BLH2 = 0	BLH1 = 1	for positive feedback polarity only: internal feedback reference voltage switched to approximately 1.0 V
BLH2 = 1	BLH1 = 0	for positive feedback polarity only: internal feedback reference voltage switched to approximately 1.25 V
BLH2 = 1	BLH1 = 1	for positive feedback polarity only: internal feedback reference voltage switched to approximately 1.5 V

140 MHz video controller with I<sup>2</sup>C-bus

TDA4886A



- (1) Only synchronized video should be displayed. Each new mode can be displayed by OSD.
- (2) Data transmission should be synchronized with vertical blanking of the monitor.

Fig.14 I<sup>2</sup>C-bus control flow.

# 140 MHz video controller with I<sup>2</sup>C-bus

# TDA4886A

## 12 TEST AND APPLICATION INFORMATION

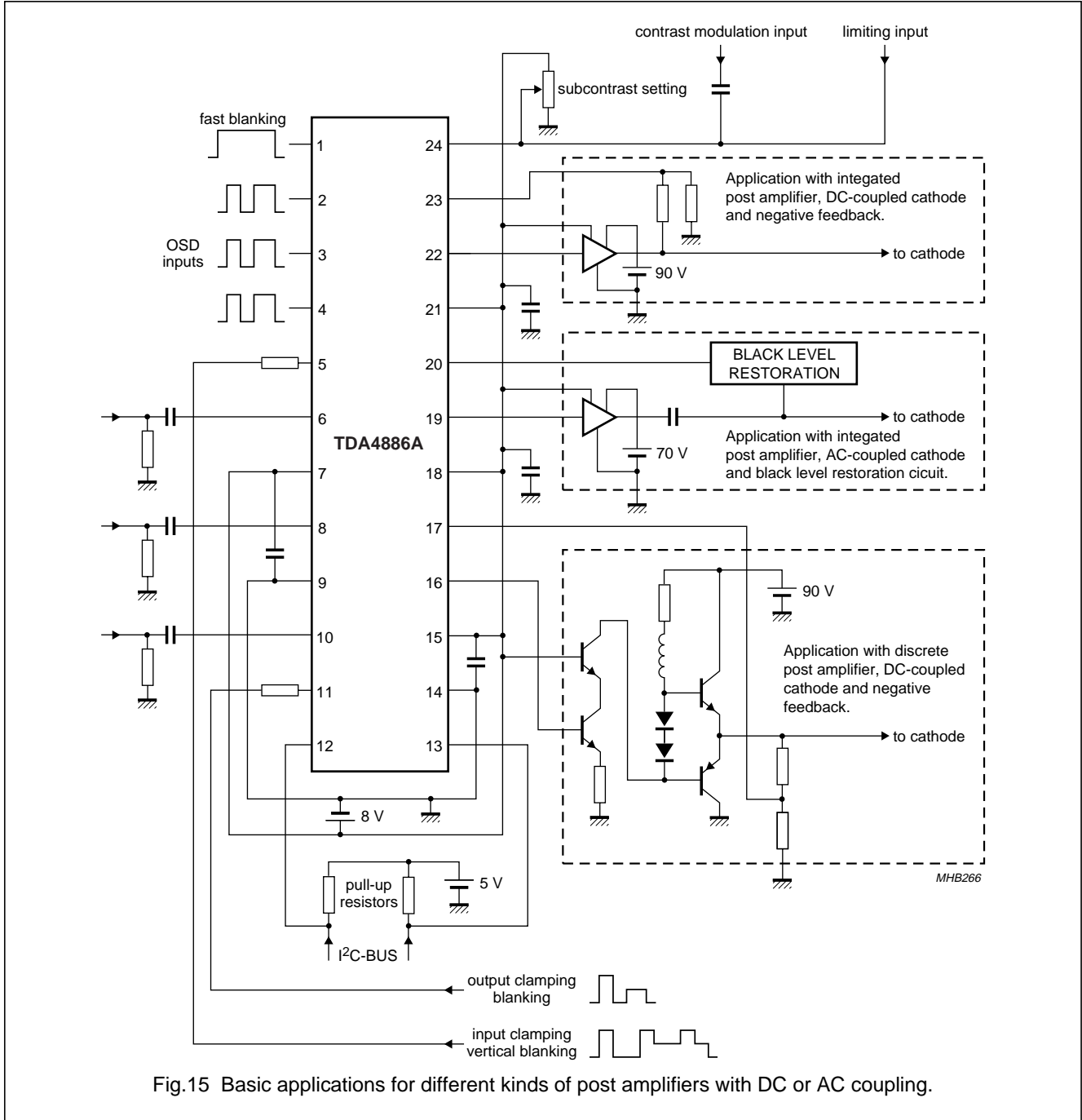


Fig.15 Basic applications for different kinds of post amplifiers with DC or AC coupling.

### 12.1 Test boards

For high frequency measurements a special test application and printed-circuit board with only a few external components is built. It utilizes the internal positive feedback of the output signals during output clamping with control bit FPOL = 1. Figure 16 shows the test application

circuit and Figs 17 and 18 show the layout and mounting of the double-sided printed-circuit board. Most components are of SMD type. Short HF loops and minimum crosstalk between the channels and between signal inputs and outputs are achieved by properly shaped ground areas.



140 MHz video controller with I<sup>2</sup>C-bus

TDA4886A

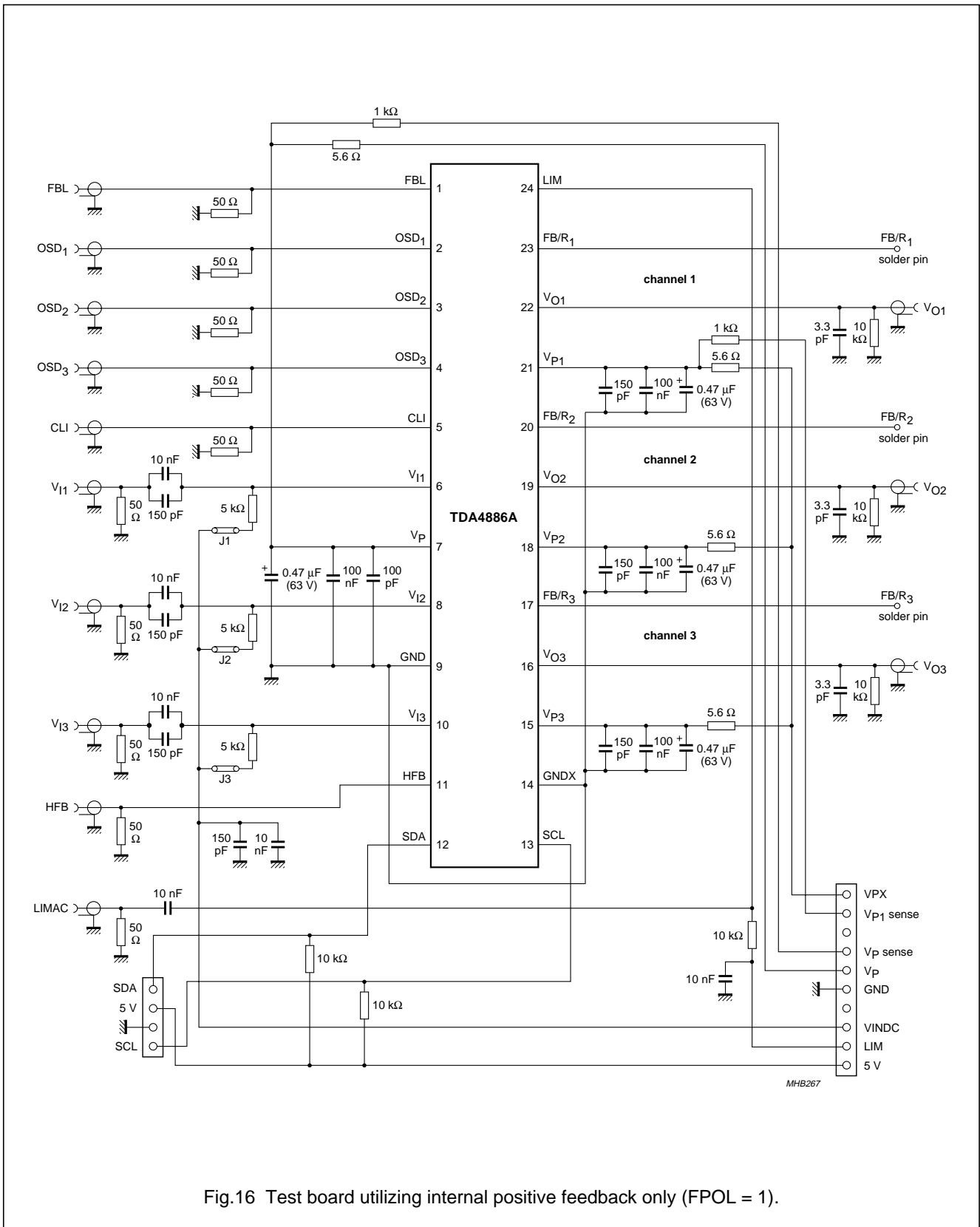
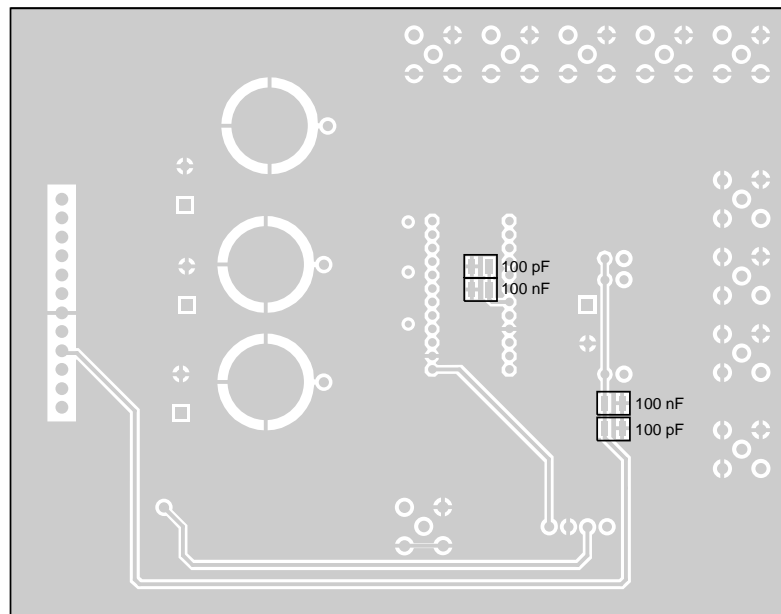
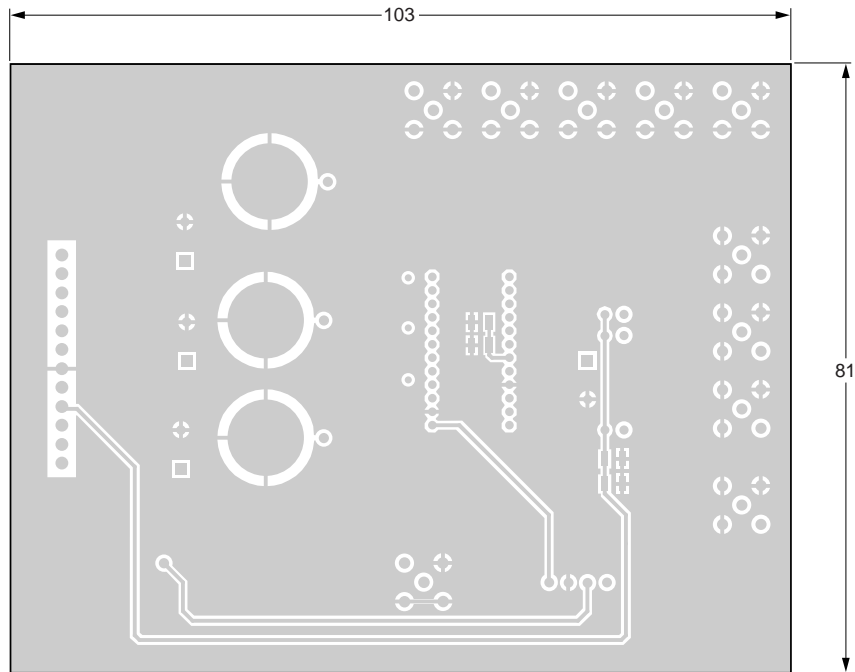


Fig.16 Test board utilizing internal positive feedback only (FPOL = 1).



140 MHz video controller with I<sup>2</sup>C-bus

TDA4886A



MHB217

Dimensions are in mm.

Fig.18 Bottom view of the printed-circuit board (for the top view see Fig.17).

---

## 140 MHz video controller with I<sup>2</sup>C-bus

## TDA4886A

---


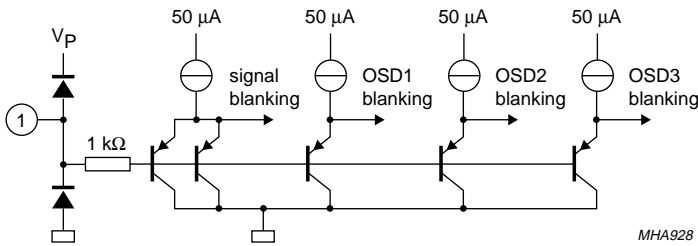

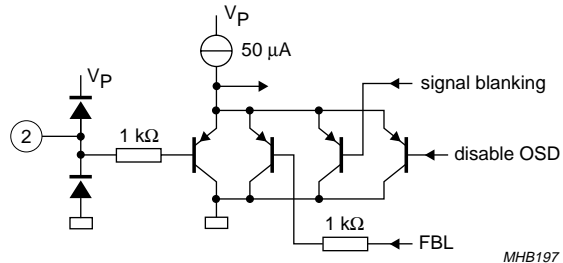

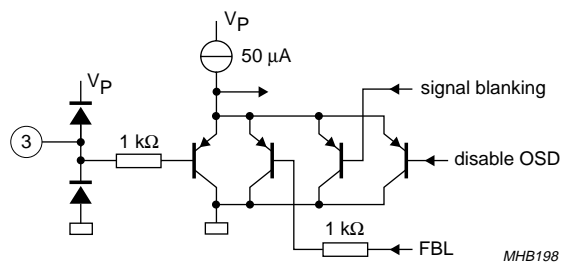
### 12.2 Recommendations for building the application board

- General
  - Double-sided board
  - Short HF loops by large ground plane on the rear
  - SMD components with minimum parasitics.
- Voltage outputs
  - Capacitive loads as small as possible
  - Be aware of internal output resistance (typically 75  $\Omega$ ).
- Supply voltages
  - Capacitors as near as possible to the pins
  - Use electrolytic capacitors with small serial resistance and inductance.

140 MHz video controller with I<sup>2</sup>C-bus

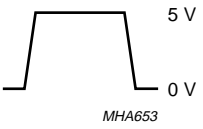
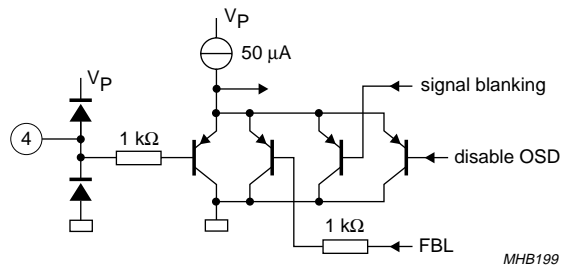
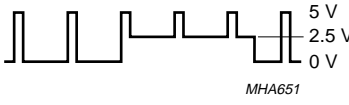
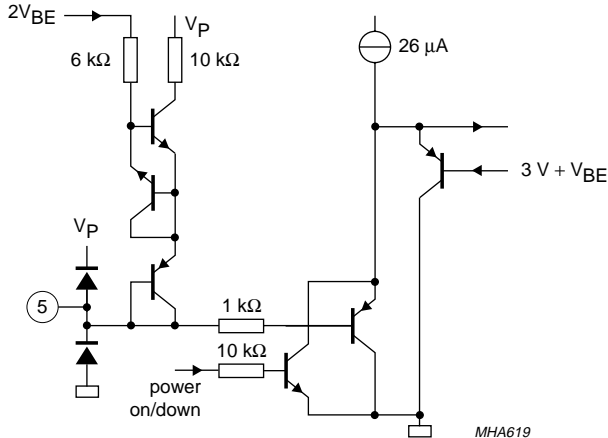
TDA4886A

13 INTERNAL CIRCUITRY

PIN	SYMBOL AND DESCRIPTION	CHARACTERISTIC	WAVEFORM	EQUIVALENT CIRCUIT
1	FBL; fast blanking input for OSD insertion	open-circuit base		
2	OSD <sub>1</sub> ; OSD input channel 1	open-circuit base		
3	OSD <sub>2</sub> ; OSD input channel 2	open-circuit base		

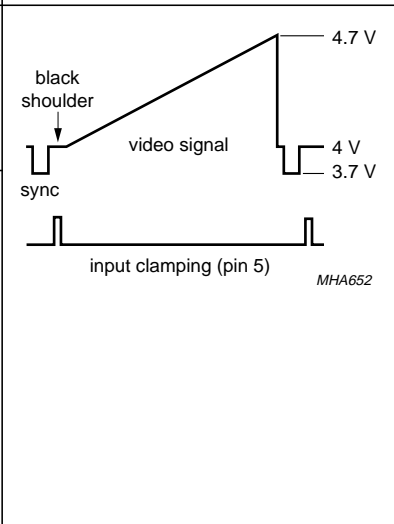
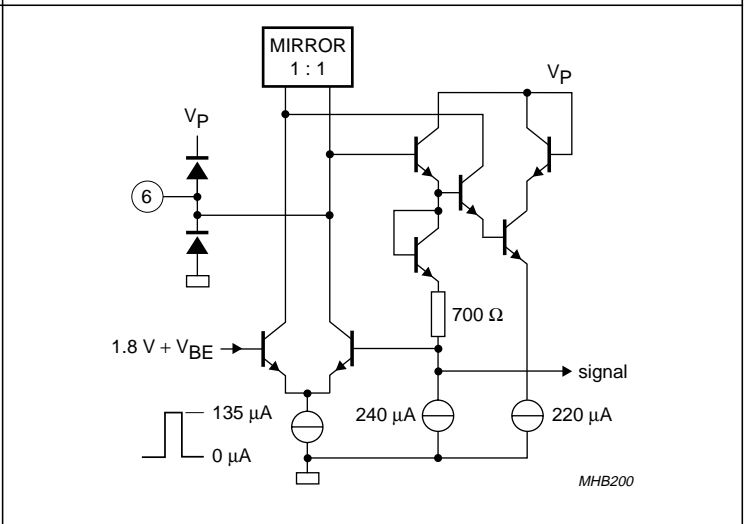
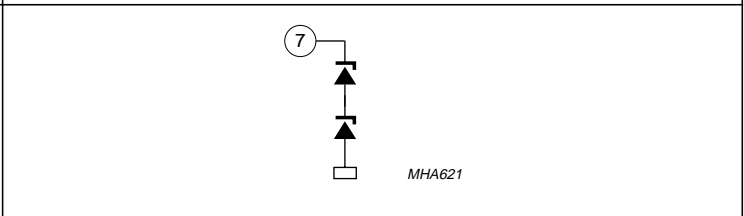
140 MHz video controller with I<sup>2</sup>C-bus

TDA4886A

PIN	SYMBOL AND DESCRIPTION	CHARACTERISTIC	WAVEFORM	EQUIVALENT CIRCUIT
4	OSD <sub>3</sub> ; OSD input channel 3	open-circuit base		
5	CLI; vertical blanking input (input clamping)	$V_5 > 0.2 \text{ V}$ : open-circuit base $V_5 \leq 0.2 \text{ V}$ : source current rising with decreasing voltage		

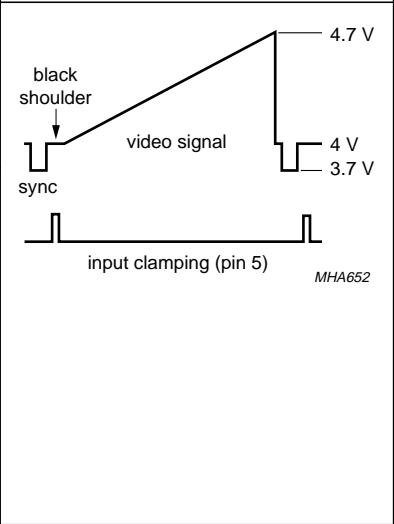
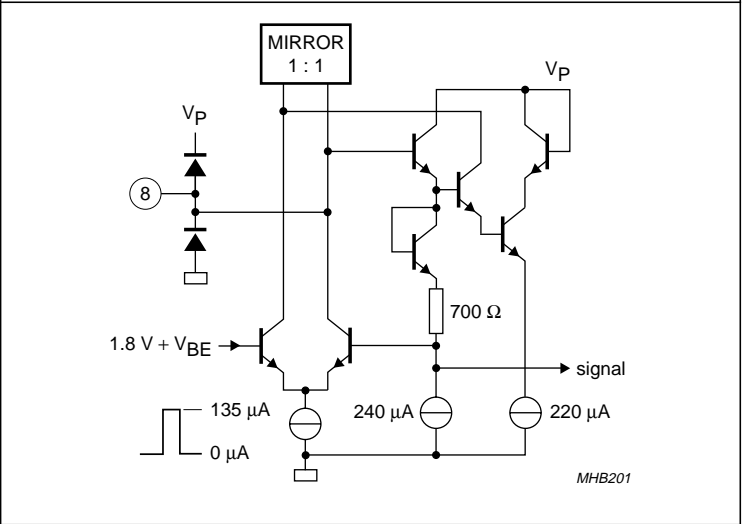
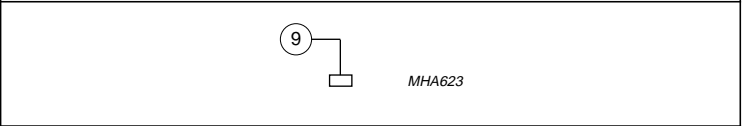
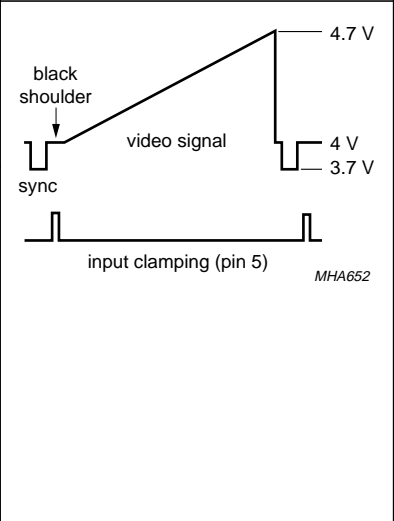
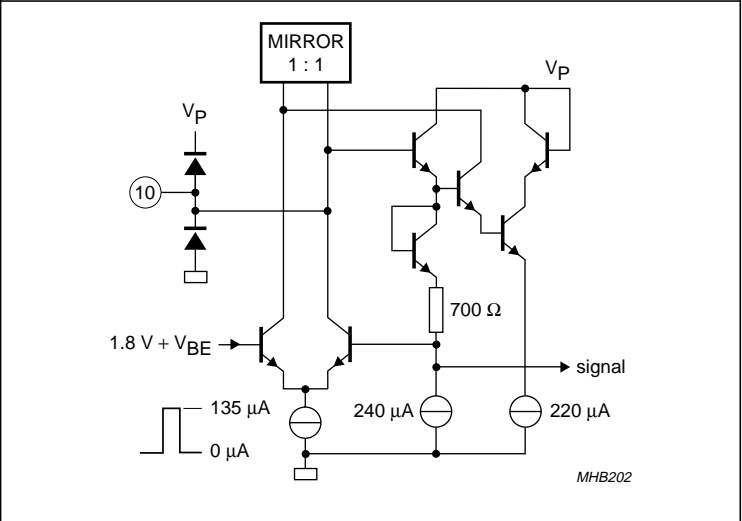
140 MHz video controller with I<sup>2</sup>C-bus

TDA4886A

PIN	SYMBOL AND DESCRIPTION	CHARACTERISTIC	WAVEFORM	EQUIVALENT CIRCUIT
6	V <sub>I1</sub> ; signal input channel 1	outside clamping pulse: open-circuit base with base current compensation during clamping: -135 to +135 μA		
7	V <sub>P</sub> ; supply voltage	21 mA		

140 MHz video controller with I<sup>2</sup>C-bus


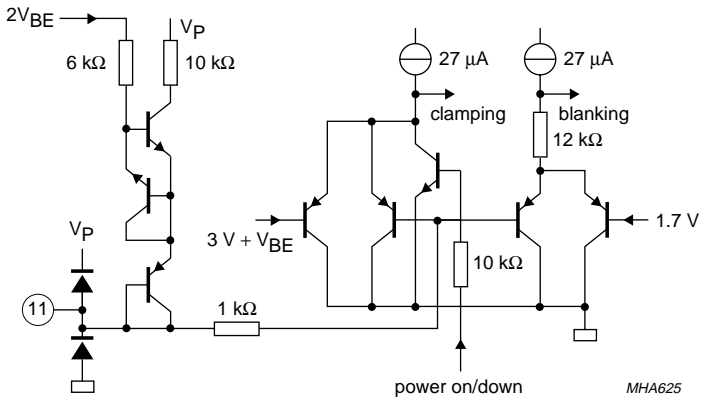
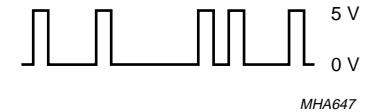
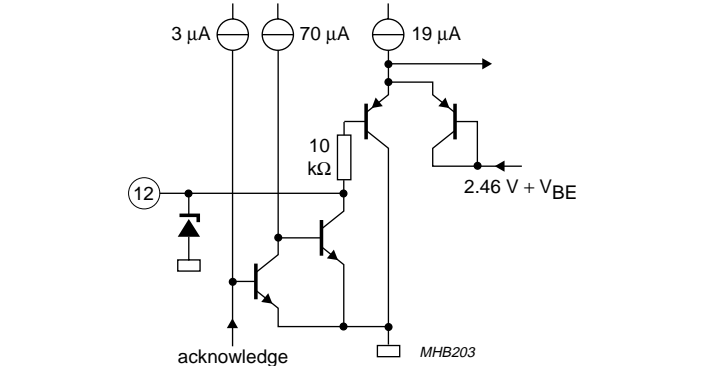

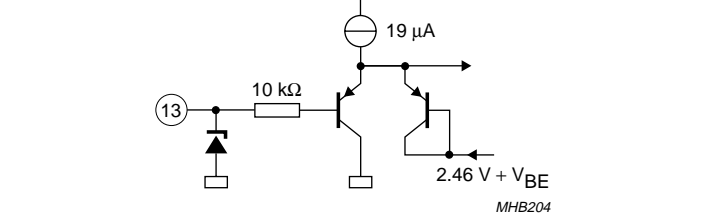
TDA4886A

PIN	SYMBOL AND DESCRIPTION	CHARACTERISTIC	WAVEFORM	EQUIVALENT CIRCUIT
8	V <sub>I2</sub> ; signal input channel 2	outside clamping pulse: open-circuit base with base current compensation during clamping: -135 to +135 μA		
9	GND; ground			
10	V <sub>I3</sub> ; signal input channel 3	outside clamping pulse: open-circuit base with base current compensation during clamping: -135 to +135 μA		



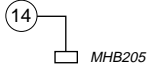
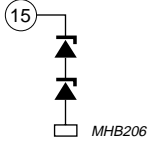
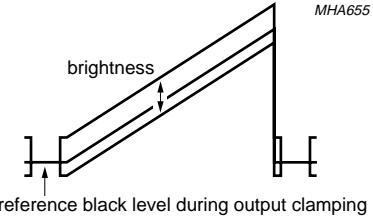
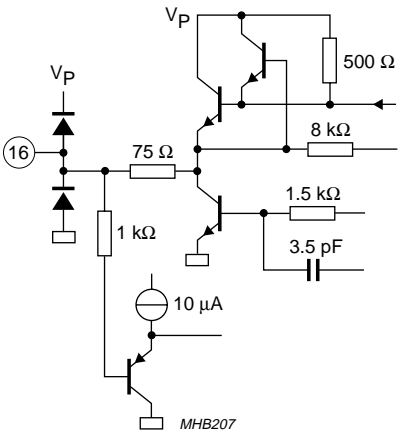
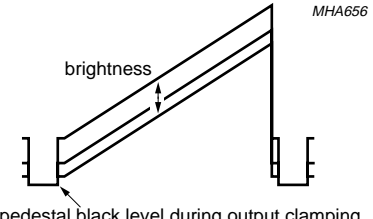
140 MHz video controller with I<sup>2</sup>C-bus

TDA4886A

PIN	SYMBOL AND DESCRIPTION	CHARACTERISTIC	WAVEFORM	EQUIVALENT CIRCUIT
11	HFB; horizontal flyback input (output clamping, blanking)	$V_{11} > 0.2 \text{ V}$ : open-circuit base $V_{11} \leq 0.2 \text{ V}$ : source current rising with decreasing voltage		
12	SDA; I <sup>2</sup> C-bus serial data input/output	no acknowledge: open-circuit base during acknowledge: $I_{12} = 4 \text{ mA}$		
13	SCL; I <sup>2</sup> C-bus clock input	open-circuit base		

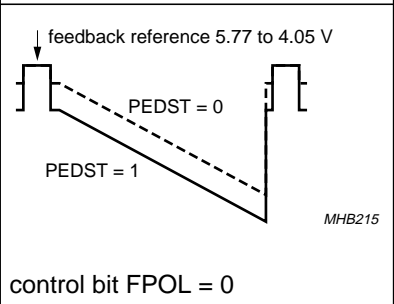
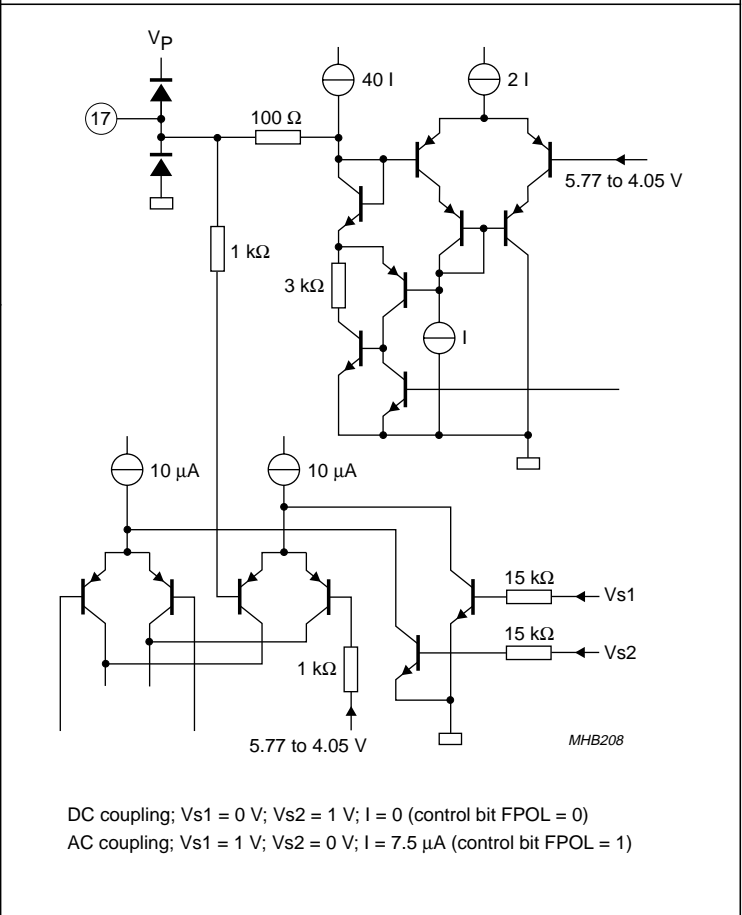
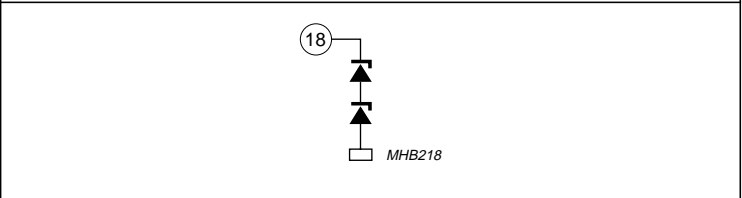
140 MHz video controller with I<sup>2</sup>C-bus

TDA4886A

PIN	SYMBOL AND DESCRIPTION	CHARACTERISTIC	WAVEFORM	EQUIVALENT CIRCUIT
14	GNDX; signal channel ground			
15	V <sub>P3</sub> ; supply voltage channel 3	I <sub>15</sub> = 21 mA		
16	V <sub>O3</sub> ; signal output channel 3	reference black level 0.1 to 2.8 V	 <p>control bit PEDST = 0</p>	
		pedestal black level 0.1 to 2.8 V	 <p>control bit PEDST = 1</p>	

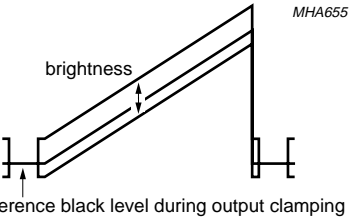
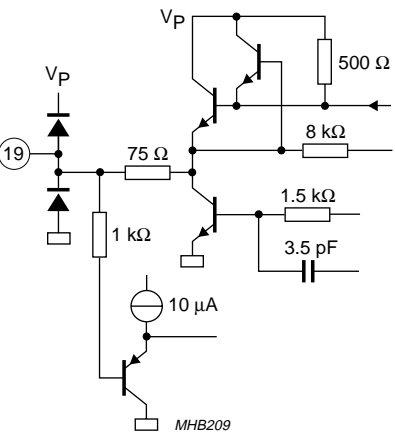
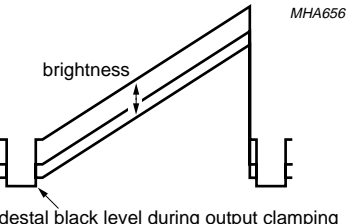
140 MHz video controller with I<sup>2</sup>C-bus

TDA4886A

PIN	SYMBOL AND DESCRIPTION	CHARACTERISTIC	WAVEFORM	EQUIVALENT CIRCUIT
17	FB/R <sub>3</sub> ; feedback input/reference voltage output channel 3	open-circuit base		 <p>DC coupling; Vs1 = 0 V; Vs2 = 1 V; I = 0 (control bit FPOL = 0)                      AC coupling; Vs1 = 1 V; Vs2 = 0 V; I = 7.5 μA (control bit FPOL = 1)</p>
		-300 to +300 μA; 5.77 to 4.05 V	control bit FPOL = 0 control bit FPOL = 1	
18	V <sub>P2</sub> ; supply voltage channel 2	I <sub>18</sub> = 21 mA		

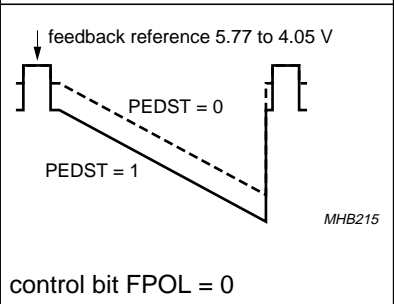
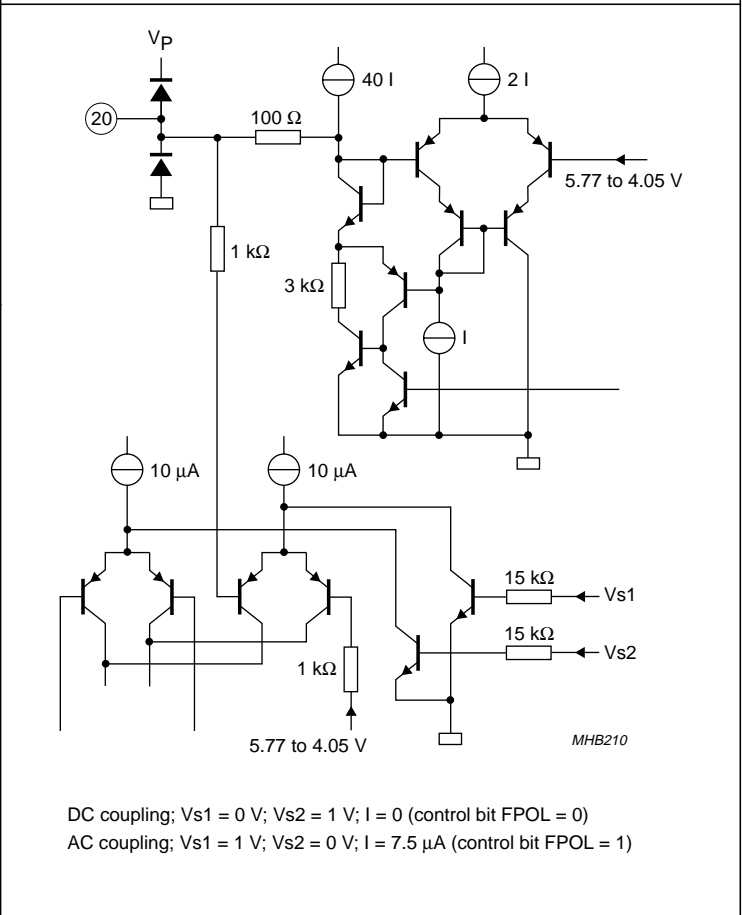
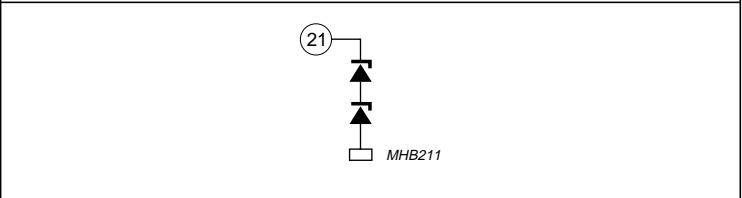
140 MHz video controller with I<sup>2</sup>C-bus

TDA4886A

PIN	SYMBOL AND DESCRIPTION	CHARACTERISTIC	WAVEFORM	EQUIVALENT CIRCUIT
19	$V_{O2}$ ; signal output channel 2	reference black level 0.1 to 2.8 V	 <p><i>MHA655</i></p> <p>brightness</p> <p>reference black level during output clamping</p> <p>control bit PEDST = 0</p>	
		pedestal black level 0.1 to 2.8 V	 <p><i>MHA656</i></p> <p>brightness</p> <p>pedestal black level during output clamping</p> <p>control bit PEDST = 1</p>	

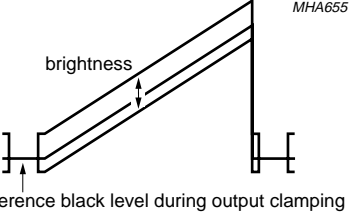
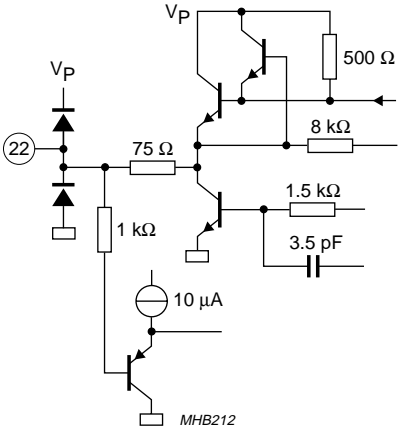
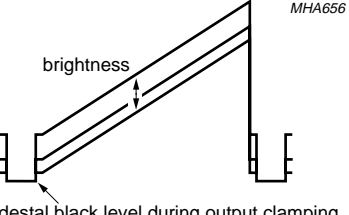
140 MHz video controller with I<sup>2</sup>C-bus

TDA4886A

PIN	SYMBOL AND DESCRIPTION	CHARACTERISTIC	WAVEFORM	EQUIVALENT CIRCUIT
20	FB/R <sub>2</sub> ; feedback input/reference voltage output channel 2	open-circuit base		 <p>DC coupling; Vs1 = 0 V; Vs2 = 1 V; I = 0 (control bit FPOL = 0)                      AC coupling; Vs1 = 1 V; Vs2 = 0 V; I = 7.5 μA (control bit FPOL = 1)</p>
		-300 to +300 μA; 5.77 to 4.05 V	control bit FPOL = 0 control bit FPOL = 1	
21	V <sub>P1</sub> ; supply voltage channel 1	I <sub>21</sub> = 21 mA		

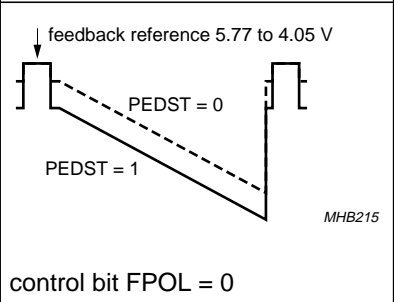
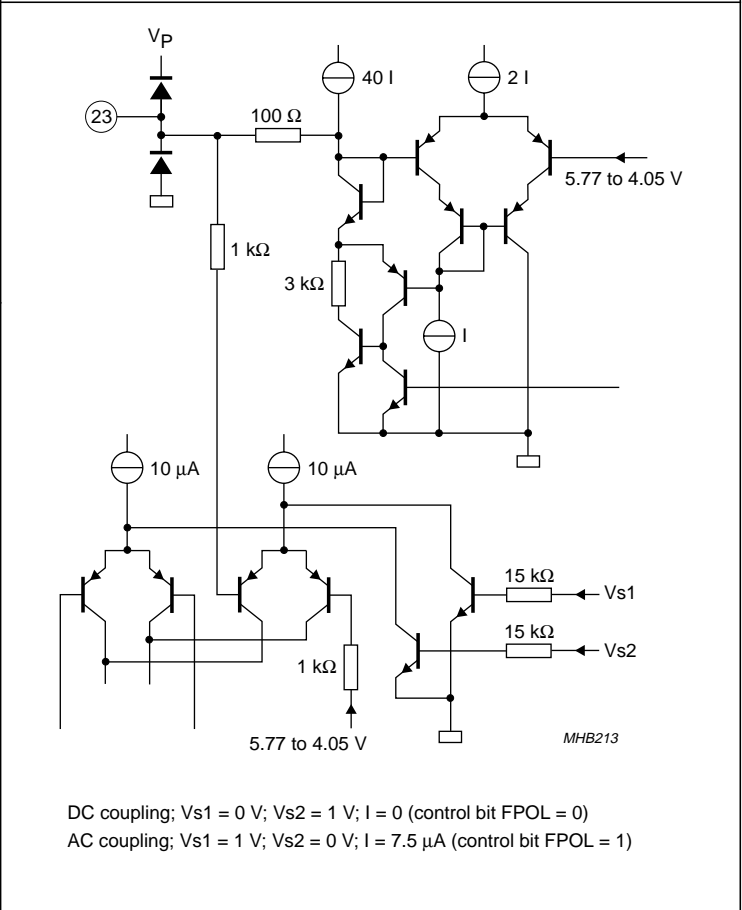
140 MHz video controller with I<sup>2</sup>C-bus

TDA4886A

PIN	SYMBOL AND DESCRIPTION	CHARACTERISTIC	WAVEFORM	EQUIVALENT CIRCUIT
22	$V_{O1}$ ; signal output channel 1	reference black level 0.1 to 2.8 V	 <p>MHA655</p> <p>brightness</p> <p>reference black level during output clamping</p> <p>control bit PEDST = 0</p>	
		pedestal black level 0.1 to 2.8 V	 <p>MHA656</p> <p>brightness</p> <p>pedestal black level during output clamping</p> <p>control bit PEDST = 1</p>	

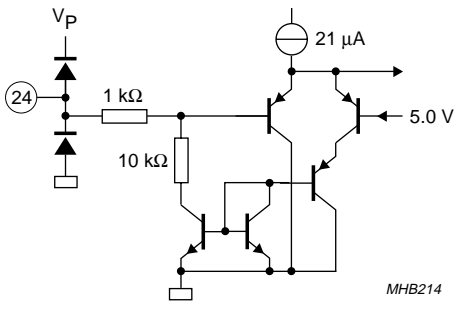
140 MHz video controller with I<sup>2</sup>C-bus

TDA4886A

PIN	SYMBOL AND DESCRIPTION	CHARACTERISTIC	WAVEFORM	EQUIVALENT CIRCUIT
23	FB/R <sub>1</sub> ; feedback input/ reference voltage output channel 1	open-circuit base	 <p>feedback reference 5.77 to 4.05 V</p> <p>PEDST = 0</p> <p>PEDST = 1</p> <p>MHB215</p>	 <p>DC coupling; Vs1 = 0 V; Vs2 = 1 V; I = 0 (control bit FPOL = 0) AC coupling; Vs1 = 1 V; Vs2 = 0 V; I = 7.5 μA (control bit FPOL = 1)</p>
		-300 to +300 μA; 5.77 to 4.05 V	control bit FPOL = 0 control bit FPOL = 1	

140 MHz video controller with I<sup>2</sup>C-bus

TDA4886A

PIN	SYMBOL AND DESCRIPTION	CHARACTERISTIC	WAVEFORM	EQUIVALENT CIRCUIT
24	LIM; beam current limiting input	open-circuit voltage $V_{24} = 5.0 \text{ V}$ $V_{24} < 4.5 \text{ V}$ : open-circuit base		



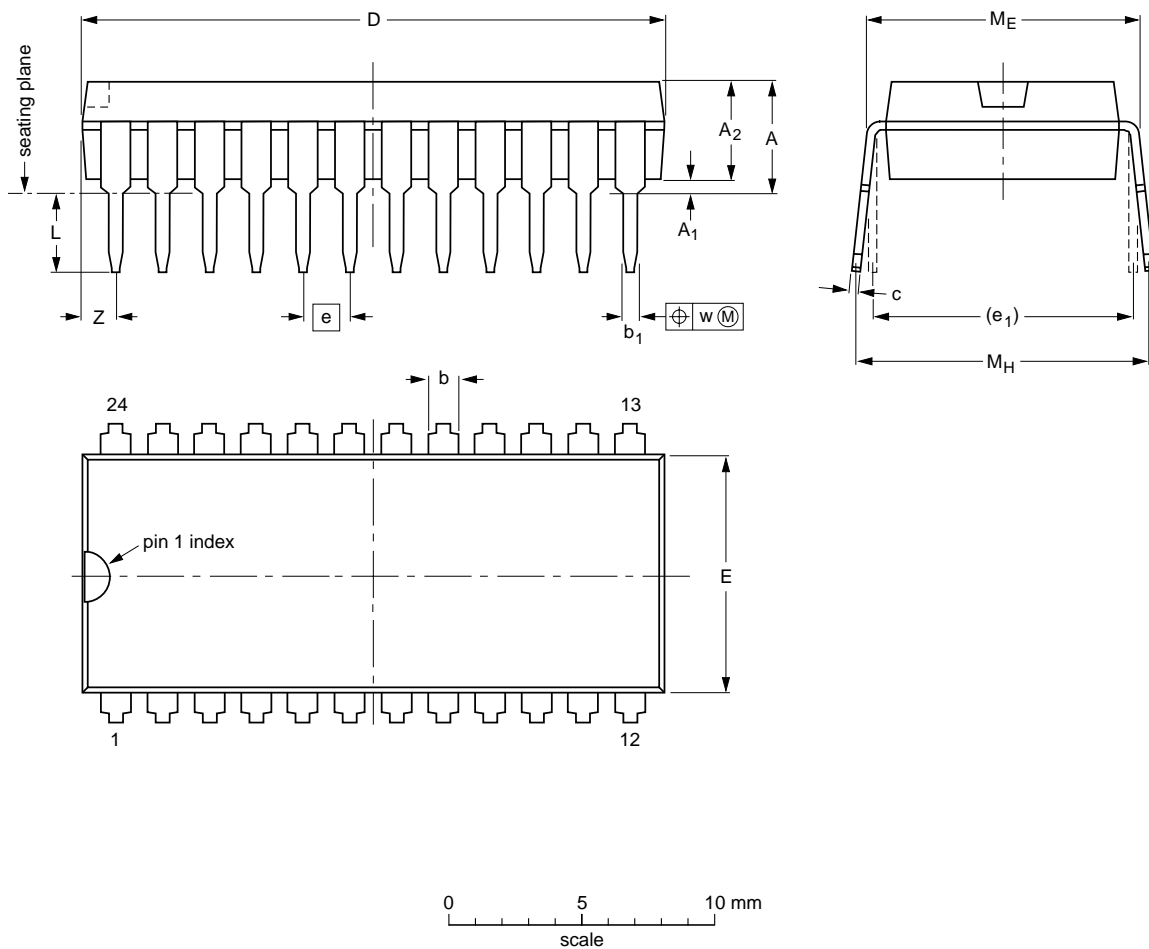
140 MHz video controller with I<sup>2</sup>C-bus

TDA4886A

14 PACKAGE OUTLINE

SDIP24: plastic shrink dual in-line package; 24 leads (400 mil)

SOT234-1



DIMENSIONS (mm are the original dimensions)

UNIT	A max.	A <sub>1</sub> min.	A <sub>2</sub> max.	b	b <sub>1</sub>	c	D <sup>(1)</sup>	E <sup>(1)</sup>	e	e <sub>1</sub>	L	M <sub>E</sub>	M <sub>H</sub>	w	Z <sup>(1)</sup> max.
mm	4.7	0.51	3.8	1.3 0.8	0.53 0.40	0.32 0.23	22.3 21.4	9.1 8.7	1.778	10.16	3.2 2.8	10.7 10.2	12.2 10.5	0.18	1.6

Note

1. Plastic or metal protrusions of 0.25 mm maximum per side are not included.

OUTLINE VERSION	REFERENCES				EUROPEAN PROJECTION	ISSUE DATE
	IEC	JEDEC	EIAJ			
SOT234-1						92-11-17 95-02-04

140 MHz video controller with I<sup>2</sup>C-bus

## TDA4886A

**15 SOLDERING****15.1 Introduction to soldering through-hole mount packages**

This text gives a brief insight to wave, dip and manual soldering. A more in-depth account of soldering ICs can be found in our "Data Handbook IC26; Integrated Circuit Packages" (document order number 9398 652 90011).

Wave soldering is the preferred method for mounting of through-hole mount IC packages on a printed-circuit board.

**15.2 Soldering by dipping or by solder wave**

The maximum permissible temperature of the solder is 260 °C; solder at this temperature must not be in contact with the joints for more than 5 seconds.

The total contact time of successive solder waves must not exceed 5 seconds.

The device may be mounted up to the seating plane, but the temperature of the plastic body must not exceed the specified maximum storage temperature ( $T_{stg(max)}$ ). If the printed-circuit board has been pre-heated, forced cooling may be necessary immediately after soldering to keep the temperature within the permissible limit.

**15.3 Manual soldering**

Apply the soldering iron (24 V or less) to the lead(s) of the package, either below the seating plane or not more than 2 mm above it. If the temperature of the soldering iron bit is less than 300 °C it may remain in contact for up to 10 seconds. If the bit temperature is between 300 and 400 °C, contact may be up to 5 seconds.

**15.4 Suitability of through-hole mount IC packages for dipping and wave soldering methods**

PACKAGE	SOLDERING METHOD	
	DIPPING	WAVE
DBS, DIP, HDIP, SDIP, SIL	suitable	suitable <sup>(1)</sup>

**Note**

- For SDIP packages, the longitudinal axis must be parallel to the transport direction of the printed-circuit board.

140 MHz video controller with I<sup>2</sup>C-bus

TDA4886A

**16 DEFINITIONS**

<b>Data sheet status</b>	
Objective specification	This data sheet contains target or goal specifications for product development.
Preliminary specification	This data sheet contains preliminary data; supplementary data may be published later.
Product specification	This data sheet contains final product specifications.
<b>Limiting values</b>	
Limiting values given are in accordance with the Absolute Maximum Rating System (IEC 134). Stress above one or more of the limiting values may cause permanent damage to the device. These are stress ratings only and operation of the device at these or at any other conditions above those given in the Characteristics sections of the specification is not implied. Exposure to limiting values for extended periods may affect device reliability.	
<b>Application information</b>	
Where application information is given, it is advisory and does not form part of the specification.	

**17 LIFE SUPPORT APPLICATIONS**

These products are not designed for use in life support appliances, devices, or systems where malfunction of these products can reasonably be expected to result in personal injury. Philips customers using or selling these products for use in such applications do so at their own risk and agree to fully indemnify Philips for any damages resulting from such improper use or sale.

**18 PURCHASE OF PHILIPS I<sup>2</sup>C COMPONENTS**

Purchase of Philips I<sup>2</sup>C components conveys a license under the Philips' I<sup>2</sup>C patent to use the components in the I<sup>2</sup>C system provided the system conforms to the I<sup>2</sup>C specification defined by Philips. This specification can be ordered using the code 9398 393 40011.

# Philips Semiconductors – a worldwide company

**Argentina:** see South America

**Australia:** 34 Waterloo Road, NORTH RYDE, NSW 2113, Tel. +61 2 9805 4455, Fax. +61 2 9805 4466

**Austria:** Computerstr. 6, A-1101 WIEN, P.O. Box 213, Tel. +43 160 1010, Fax. +43 160 101 1210

**Belarus:** Hotel Minsk Business Center, Bld. 3, r. 1211, Volodarski Str. 6, 220050 MINSK, Tel. +375 172 200 733, Fax. +375 172 200 773

**Belgium:** see The Netherlands

**Brazil:** see South America

**Bulgaria:** Philips Bulgaria Ltd., Energoproject, 15th floor, 51 James Bourchier Blvd., 1407 SOFIA, Tel. +359 2 689 211, Fax. +359 2 689 102

**Canada:** PHILIPS SEMICONDUCTORS/COMPONENTS, Tel. +1 800 234 7381

**China/Hong Kong:** 501 Hong Kong Industrial Technology Centre, 72 Tat Chee Avenue, Kowloon Tong, HONG KONG, Tel. +852 2319 7888, Fax. +852 2319 7700

**Colombia:** see South America

**Czech Republic:** see Austria

**Denmark:** Prags Boulevard 80, PB 1919, DK-2300 COPENHAGEN S, Tel. +45 32 88 2636, Fax. +45 31 57 0044

**Finland:** Sinikalliontie 3, FIN-02630 ESPOO, Tel. +358 9 615800, Fax. +358 9 61580920

**France:** 51 Rue Carnot, BP317, 92156 SURESNES Cedex, Tel. +33 1 40 99 6161, Fax. +33 1 40 99 6427

**Germany:** Hammerbrookstraße 69, D-20097 HAMBURG, Tel. +49 40 23 53 60, Fax. +49 40 23 536 300

**Greece:** No. 15, 25th March Street, GR 17778 TAVROS/ATHENS, Tel. +30 1 4894 339/239, Fax. +30 1 4814 240

**Hungary:** see Austria

**India:** Philips INDIA Ltd, Band Box Building, 2nd floor, 254-D, Dr. Annie Besant Road, Worli, MUMBAI 400 025, Tel. +91 22 493 8541, Fax. +91 22 493 0966

**Indonesia:** PT Philips Development Corporation, Semiconductors Division, Gedung Philips, Jl. Buncit Raya Kav.99-100, JAKARTA 12510, Tel. +62 21 794 0040 ext. 2501, Fax. +62 21 794 0080

**Ireland:** Newstead, Clonskeagh, DUBLIN 14, Tel. +353 1 7640 000, Fax. +353 1 7640 200

**Israel:** RAPAC Electronics, 7 Kehilat Saloniki St, PO Box 18053, TEL AVIV 61180, Tel. +972 3 645 0444, Fax. +972 3 649 1007

**Italy:** PHILIPS SEMICONDUCTORS, Piazza IV Novembre 3, 20124 MILANO, Tel. +39 2 6752 2531, Fax. +39 2 6752 2557

**Japan:** Philips Bldg 13-37, Kohnan 2-chome, Minato-ku, TOKYO 108-8507, Tel. +81 3 3740 5130, Fax. +81 3 3740 5077

**Korea:** Philips House, 260-199 Itaewon-dong, Yongsan-ku, SEOUL, Tel. +82 2 709 1412, Fax. +82 2 709 1415

**Malaysia:** No. 76 Jalan Universiti, 46200 PETALING JAYA, SELANGOR, Tel. +60 3 750 5214, Fax. +60 3 757 4880

**Mexico:** 5900 Gateway East, Suite 200, EL PASO, TEXAS 79905, Tel. +9-5 800 234 7381

**Middle East:** see Italy

**Netherlands:** Postbus 90050, 5600 PB EINDHOVEN, Bldg. VB, Tel. +31 40 27 82785, Fax. +31 40 27 88399

**New Zealand:** 2 Wagener Place, C.P.O. Box 1041, AUCKLAND, Tel. +64 9 849 4160, Fax. +64 9 849 7811

**Norway:** Box 1, Manglerud 0612, OSLO, Tel. +47 22 74 8000, Fax. +47 22 74 8341

**Pakistan:** see Singapore

**Philippines:** Philips Semiconductors Philippines Inc., 106 Valero St. Salcedo Village, P.O. Box 2108 MCC, MAKATI, Metro MANILA, Tel. +63 2 816 6380, Fax. +63 2 817 3474

**Poland:** Ul. Lukiska 10, PL 04-123 WARSZAWA, Tel. +48 22 612 2831, Fax. +48 22 612 2327

**Portugal:** see Spain

**Romania:** see Italy

**Russia:** Philips Russia, Ul. Usatcheva 35A, 119048 MOSCOW, Tel. +7 095 755 6918, Fax. +7 095 755 6919

**Singapore:** Lorong 1, Toa Payoh, SINGAPORE 319762, Tel. +65 350 2538, Fax. +65 251 6500

**Slovakia:** see Austria

**Slovenia:** see Italy

**South Africa:** S.A. PHILIPS Pty Ltd., 195-215 Main Road Martindale, 2092 JOHANNESBURG, P.O. Box 7430 Johannesburg 2000, Tel. +27 11 470 5911, Fax. +27 11 470 5494

**South America:** Al. Vicente Pinzon, 173, 6th floor, 04547-130 SÃO PAULO, SP, Brazil, Tel. +55 11 821 2333, Fax. +55 11 821 2382

**Spain:** Balmes 22, 08007 BARCELONA, Tel. +34 93 301 6312, Fax. +34 93 301 4107

**Sweden:** Kottbygatan 7, Akalla, S-16485 STOCKHOLM, Tel. +46 8 5985 2000, Fax. +46 8 5985 2745

**Switzerland:** Allmendstrasse 140, CH-8027 ZÜRICH, Tel. +41 1 488 2741 Fax. +41 1 488 3263

**Taiwan:** Philips Semiconductors, 6F, No. 96, Chien Kuo N. Rd., Sec. 1, TAIPEI, Taiwan Tel. +886 2 2134 2865, Fax. +886 2 2134 2874

**Thailand:** PHILIPS ELECTRONICS (THAILAND) Ltd., 209/2 Sanpavuth-Bangna Road Prakanong, BANGKOK 10260, Tel. +66 2 745 4090, Fax. +66 2 398 0793

**Turkey:** Talatpasa Cad. No. 5, 80640 GÜLTEPE/ISTANBUL, Tel. +90 212 279 2770, Fax. +90 212 282 6707

**Ukraine:** PHILIPS UKRAINE, 4 Patrice Lumumba str., Building B, Floor 7, 252042 KIEV, Tel. +380 44 264 2776, Fax. +380 44 268 0461

**United Kingdom:** Philips Semiconductors Ltd., 276 Bath Road, Hayes, MIDDLESEX UB3 5BX, Tel. +44 181 730 5000, Fax. +44 181 754 8421

**United States:** 811 East Arques Avenue, SUNNYVALE, CA 94088-3409, Tel. +1 800 234 7381

**Uruguay:** see South America

**Vietnam:** see Singapore

**Yugoslavia:** PHILIPS, Trg N. Pasica 5/v, 11000 BEOGRAD, Tel. +381 11 625 344, Fax. +381 11 635 777

**For all other countries apply to:** Philips Semiconductors, International Marketing & Sales Communications, Building BE-p, P.O. Box 218, 5600 MD EINDHOVEN, The Netherlands, Fax. +31 40 27 24825

**Internet:** <http://www.semiconductors.philips.com>

© Philips Electronics N.V. 1998

SCA60

All rights are reserved. Reproduction in whole or in part is prohibited without the prior written consent of the copyright owner.

The information presented in this document does not form part of any quotation or contract, is believed to be accurate and reliable and may be changed without notice. No liability will be accepted by the publisher for any consequence of its use. Publication thereof does not convey nor imply any license under patent- or other industrial or intellectual property rights.

Printed in The Netherlands

545104/00/01/pp52

Date of release: 1998 Dec 04

Document order number: 9397 750 04817

*Let's make things better.*

**Philips  
Semiconductors**



**PHILIPS**