

PCB Modular Jack Series

KLS12-143-4P PCB Modular Jack 57 Series

MATERIAL

- 1.Housing Material: Glass Filled Polyester UL94V-0 PBT, NYLON
- 2.Housing Color: Black, Gray, Ivory, White or Others
- 3.Contact Material: Phosphor Bronze 0.35mm Flat Pin
- 4.PLATING: Gold plating over nickel. Gold plating thickness
1.5u" / 3u" / 6u" / 15u" / 30u" / 50u"

ELECTRICAL

- 1.Current Rating:1.5Amp
- 2.Voltage Rating:125VAC
- 3.Contact Resistance: 30 MΩ Max.
- 4.Insulation Resistance: 500 MΩ Min. @500VDC
- 5.Withstanding Voltage:1000VAC RMS 50Hz 1 minute

MECHANICAL

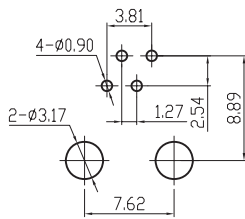
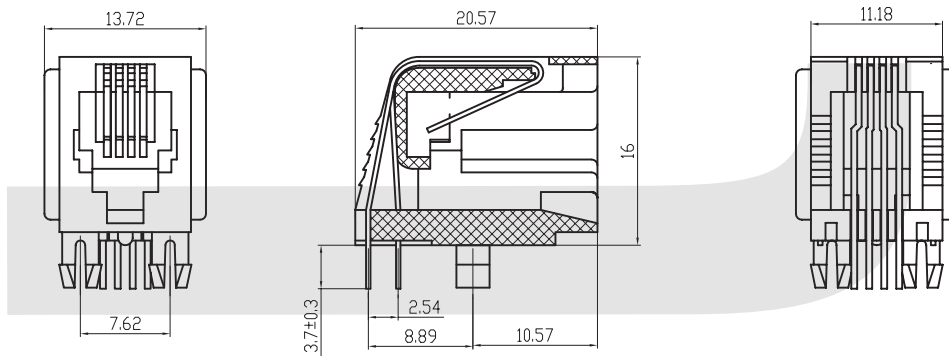
- 1.Durability : 750 cycles Min.
- 2.PCB Retention pre-solder : 1 LB MIN

ENVIRONMENTAL

- 1.Storage :-40°C~+80°C
- 2.Operation:-40°C~+70°C



XII



PC Board Layout

ORDER INFORMATION

KLS12-143 - 4P4C-W-B-XX-X

Part Number	Point NO.	Panel	Part Color	Gold Thickness	Plastic
	4P4C Point 4P2C Point	W-With Panel W/O-Without Panel	1-Black 2-Gray 3-White 4-IV	01-Fu" 02-3u" 03-6u" 04-15u" 05-30u" 06-50u"	1-Nylon 2-PBT 3-ABS