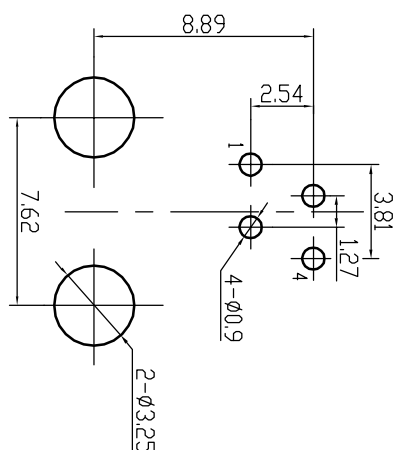
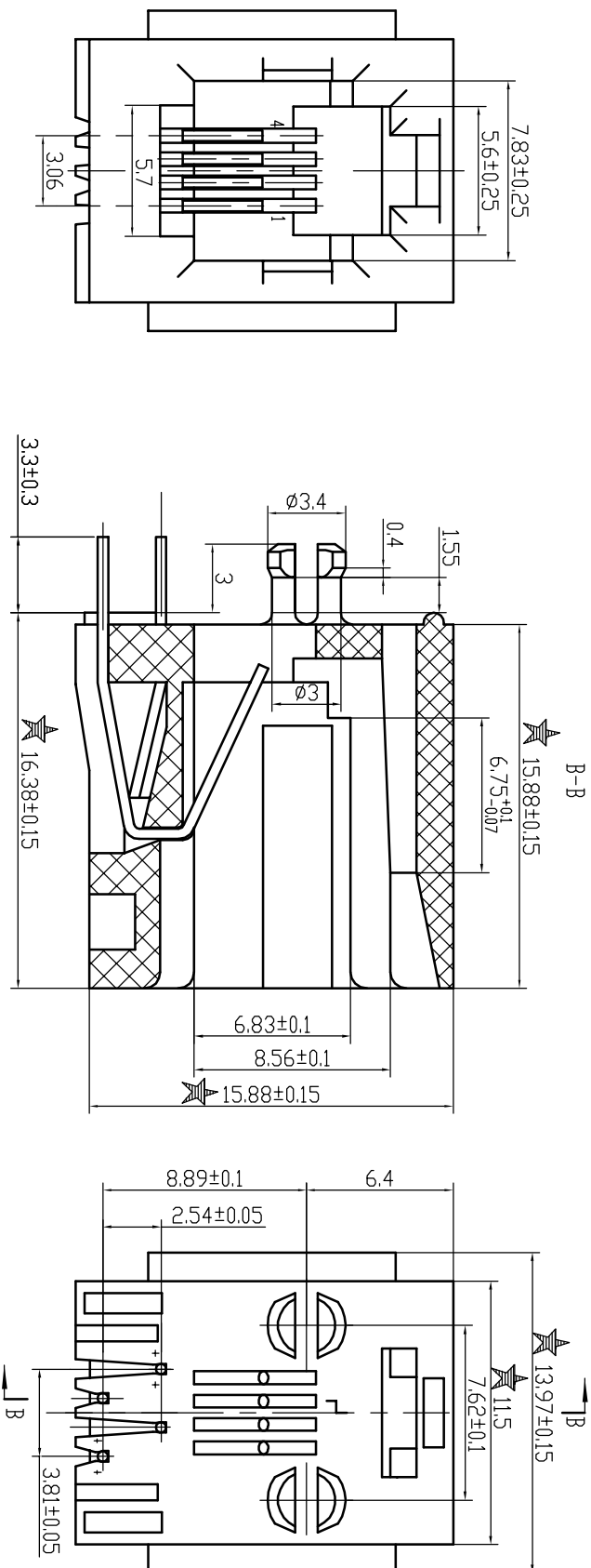


YH-52-01

REV. ECN NO. DATE



- NOTES:
1. ELECTRICAL:
 - 1.1 VOLTAGE RATING: 125 VAC RMS.
 - 1.2 CURRENT RATING: 15 AMP_r
 - 1.3 CONTACT RESISTANCE: 20 MILLIOHMS Max
 - 1.4 INSULATION RESISTANCE: 1000 MEGOHMS Min @500 VDC;
 - 1.5 DIELECTRIC STRENGTH: 1000 VAC RMS 50 or 60Hz 1 Minute;
 2. MECHANICAL:
 - 2.1 HOUSING: PBT, UL94V-0, BLACK;
 - 2.2 TERMINALS: DIA 0.46 PHOSPHOR BRONZE PLATED 3u" Au;
 - 2.3 DURABILITY: 750 CYCLES Min.
 3. **Critical Dimension.

ROHS Compliant

PCB LAYOUT



YIHUA COMMUNICATED CONNECTOR CO.,LTD.

TOLERANCES

MATERIAL: SEE NOTE

DESIGNED: CHECKED: APPROVED:

NAME:

5222 4P4C

REV



SCALE

UNIT

CUSTOMER:

FINISH: SEE NOTE

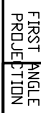
SHEET 1 OF 1

APPROVED:

DWG NO.:

007081301

REV



SCALE

UNIT

CUSTOMER:

FINISH: SEE NOTE

SHEET 1 OF 1

APPROVED:

DWG NO.:

007081301

REV

YIHUA COMMUNICATED CONNECTOR CO.,LTD.

TOLERANCES

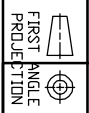
MATERIAL: SEE NOTE

DESIGNED: CHECKED: APPROVED:

NAME:

5222 4P4C

REV



SCALE

UNIT

CUSTOMER:

FINISH: SEE NOTE

SHEET 1 OF 1

APPROVED:

DWG NO.:

007081301

REV

YIHUA COMMUNICATED CONNECTOR CO.,LTD.

TOLERANCES

MATERIAL: SEE NOTE

DESIGNED: CHECKED: APPROVED:

NAME:

5222 4P4C

REV